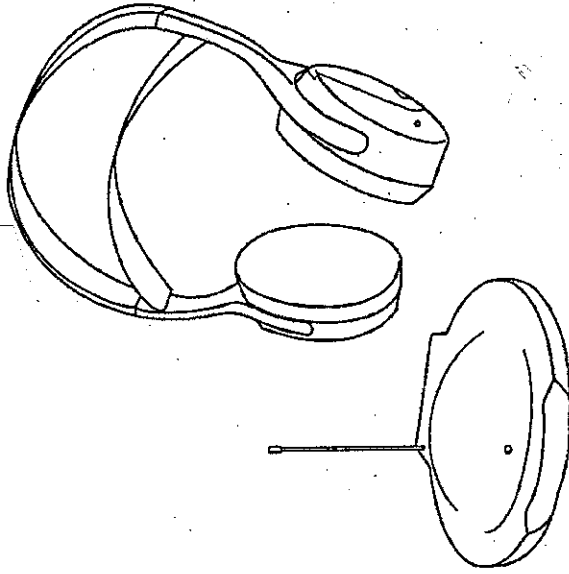


**RF 900 MHz STEREO
WIRELESS HEADPHONE
SYSTEM**



OWNER'S MANUAL

The Ni-Cad (nickel cadmium) battery pack must be fully charged prior to operation. An initial charge of 24 hours is required to ensure the extended life of the Ni-Cad battery pack. Be sure the receiver power switch is in the OFF position whilst charging the batteries.

Please read before using this equipment

INTRODUCTION

The 900MHz stereo wireless headphone system uses latest wireless technology that enable you to enjoy music and TV sound anywhere inside or outside your home. You can simply connect the system to any sound source such as Hi-Fi, DVD, CD, VCR and radio.

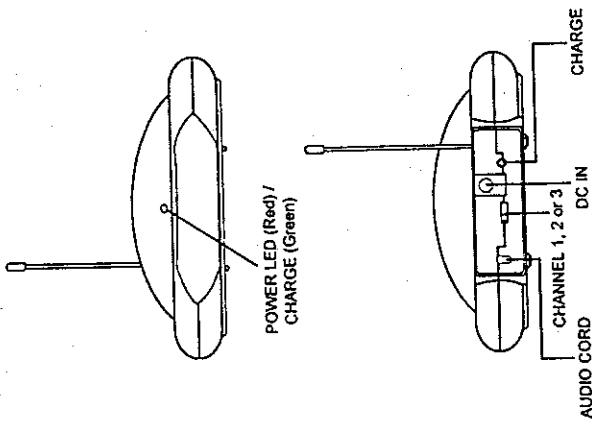
FEATURES

1. 900MHz RF technology.
2. RF technology lets you roam freely throughout your house.
3. Operating distance up to 50 Meters.
4. No line-of-sight limitation.
5. Rechargeable headphone receiver.
6. Built-in charger in the transmitter.
7. Virtually interference free stereo quality.

PACKAGE

1. RF Transmitter.
2. RF Receiver.
3. AC adapter for transmitter
4. 6.3 mm Stereo plug.
5. Recharging cable.
6. 2 x "AAA" Size Rechargeable batteries.
7. Transmitter rod antenna tube.
8. RCA stereo connection cable.

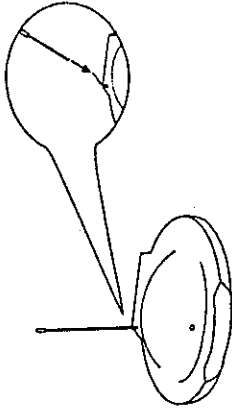
TRANSMITTER



INSTALLATION

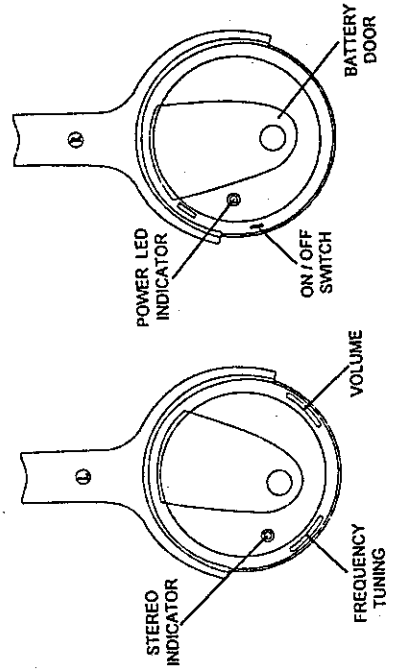
TRANSMITTER

1. Insert the antenna tube into the antenna wire.



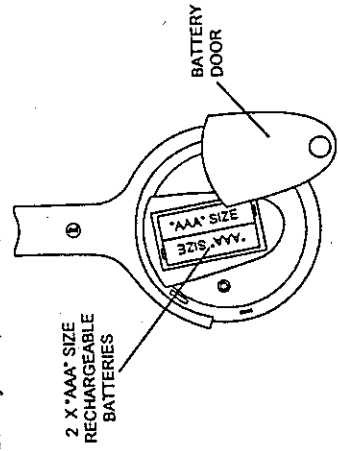
2. Plug the AC power adapter in the DC jack located on the rear of the transmitter.
3. Connect the supplied AC power adapter to an electrical wall outlet.
4. The audio cord on the rear of the transmitter can be connected with audio output jack (R & L) of TV, Hi-Fi, VCR, DVD Radio tape recorder.

HEADPHONE RECEIVER



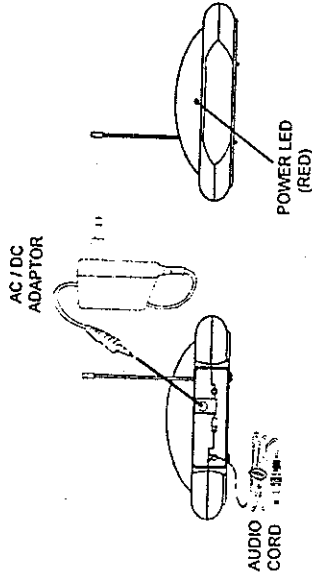
HEADPHONE RECEIVER

1. Open the battery compartment cover on the right side of the headphone receiver.
2. Insert two "AAA" size rechargeable battery with correct polarity.
3. Cover the battery compartment.



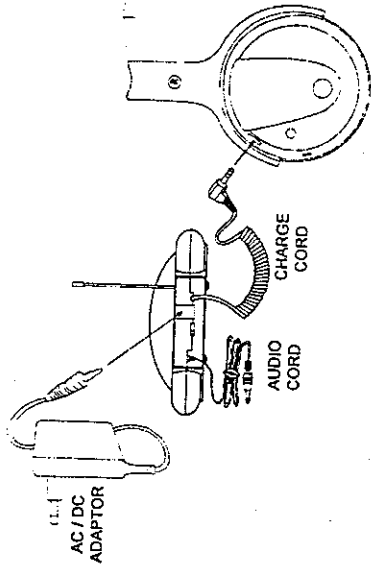
OPERATION

1. Turn on the audio source (TV or audio component) to which the transmitter is connected.
2. The red power LED indicator will be ON after you plug to the audio source. When the indicator is OFF, turn on and adjust your audio source output level until the red LED indicator light is ON.
3. Select a channel on the back of transmitter (channel 1 or 2 or 3).



4. Switch the ON/OFF switch on the headphone to ON.
5. Place the headphone on your head and adjust the volume control to the desired listening level.
6. Adjust the tuning knob of the headphone until to the frequency of headphone matches the transmitter's transmission frequency for best reception. The RED STEREO LED of the headphone will light up at this status.

CHARGING RECHARGEABLE BATTERIES



1. Make sure the AC adaptor is connected with an AC outlet and the transmitter.
2. Set the ON/OFF (Power) switch on the headphone to OFF. (The batteries cannot be charged when the switch is set to ON)
3. Connect the charging cord one side to the transmitter and the other side to headphone.
4. When charging process starts, the transmitter LED indicator will light in GREEN.
5. The battery can be fully charged in approx. 24 hours.

Caution: *When you are not using the headphone system, please switch it off to preserve battery power.*

WARNING: *DO NOT CHARGE ANY NON-RECHARGEABLE BATTERIES.*

SPECIFICATION

Transmission : UHF Stereo
Carrier Frequency : 90.0 MHz
Operation Voltage : Transmitter, 19V 80mA
Receiver, 2.4V
(2 x AAA rechargeable batteries)
Frequency Response : 20 Hz - 15 KHz
Distortion : 1.5%
S/N Ratio : 50dB
Separation : 30 dB
Operation Distance : up to 150 M

* Subject to change without notice

NOTE: Changes or modifications not expressly approved by the party responsible for compliance to the FCC Rules could void the users authority to operate this equipment

TROUBLE SHOOTING

NO SOUND

- Ensure the adapter AC is fully inserted into the AC outlet and into the power connection input on the transmitter.
- Ensure the headphones' ON/OFF switch is ON.
- Headphone's battery may be too low. Charge the batteries.
- Ensure the TV, Hi-Fi or audio component is ON and turned to a channel with audio.
- Adjust the volume control on the headphone to turn up the volume.
- The connected audio / video equipment is not playing. Start playing the equipment.

DISTORTED

- Ensure the stereo indicator light is ON. If not, adjust the tuning knob on the headphone until the light is On.
- Change the operating frequency channel at the back of transmitter. You must then adjust the tuning knob on the headphone until the stereo indicator lights.
- Headphone's battery may be too low. Recharge the batteries.
- Ensure the level control wheel is tuned properly.
- The headphone is too far from transmitter, move closer.
- The input level of the audio signal is too low. Turn up the volume of the audio source equipment.