

CO2ZB1 Zigbee CO2 Sensor

Installation Instructions and User Manual

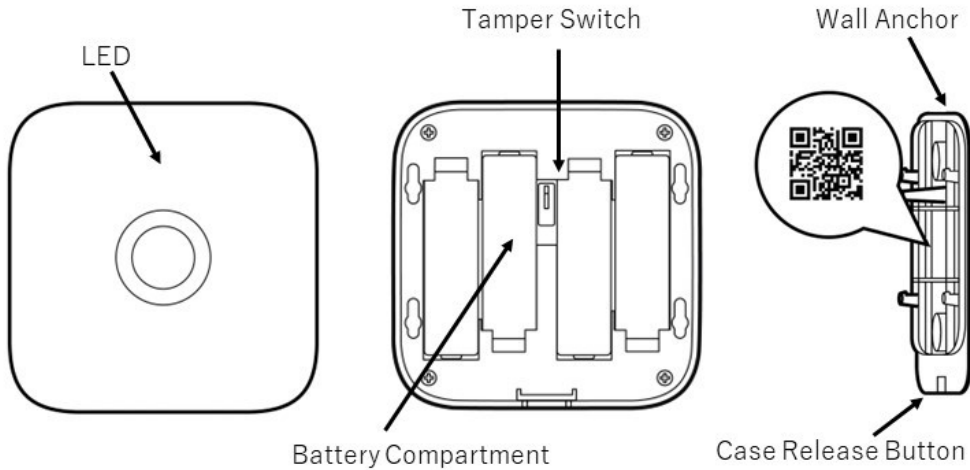
1. Specifications

| | |
|-------------------------------|---------------------------------------|
| Frequency: | 2.4 GHz (IEEE 802.15.4) |
| Operating Temperature: | 14°-122°F (-10°-50°C) |
| Operating Humidity: | 10% - 90% non-condensing |
| CO2 Sensing Range: | 400ppm – 5000ppm |
| CO2 Sensing Accuracy: | ±75ppm+5%MV |
| Battery: | 4x AA Alkaline Battery |
| Battery Life: | 2 Years (with default setting) |
| Compatibility: | Zigbee, WWAH (Works with All Hubs) |

2. Package Contents

- 1x Sensor
- 2x Screws & Wall Anchor
- 4x AA Alkaline Battery (uninstalled)
- 2x Back Mounting 2-Sided Adhesive Tape
- 1x Manual

3. Component Identification



4. Zigbee Enrollment:

- This CO2 Sensor needs to be paired before installation.
1. Insert 4 batteries to the battery compartment
 2. The LED will blink three times in amber color every 2-3 seconds while scanning the network.

3. If network successfully joined, the LED will be lit for 1 second in amber color followed by a short blink in green color.
4. If network is not found after 1 minute, the sensor will go into sleep mode, the LED will blink in amber color every 1 minute. You need to reset the sensor to trigger a pairing process, and then sensor will repeat steps from 2 to 4.

To reset the sensor:

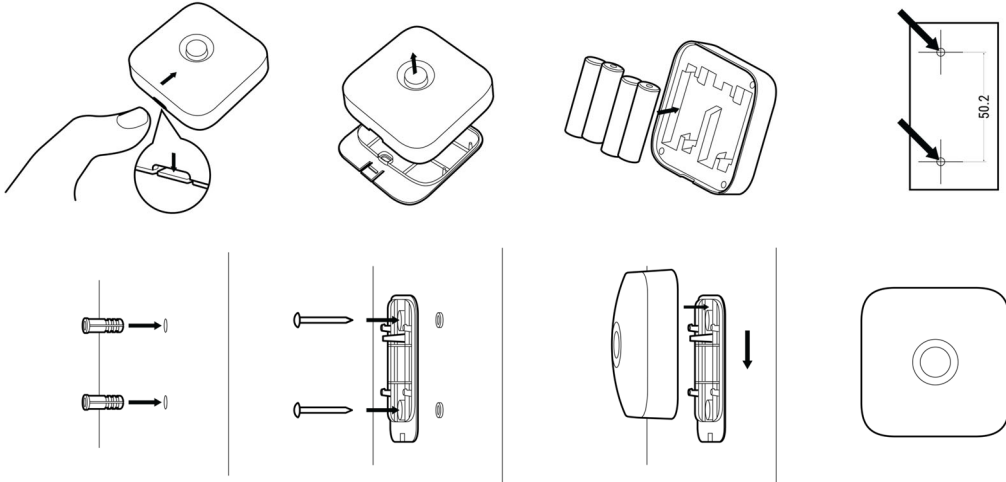
1. Remove the battery for 10 seconds
2. Press and hold down the tamper switch while re-insert the battery
3. Release the temper switch within 3 seconds after insert the battery

Note: MAC address of the Sensor can be found on the QR code by scanning it with your mobile phone.

5. Mounting

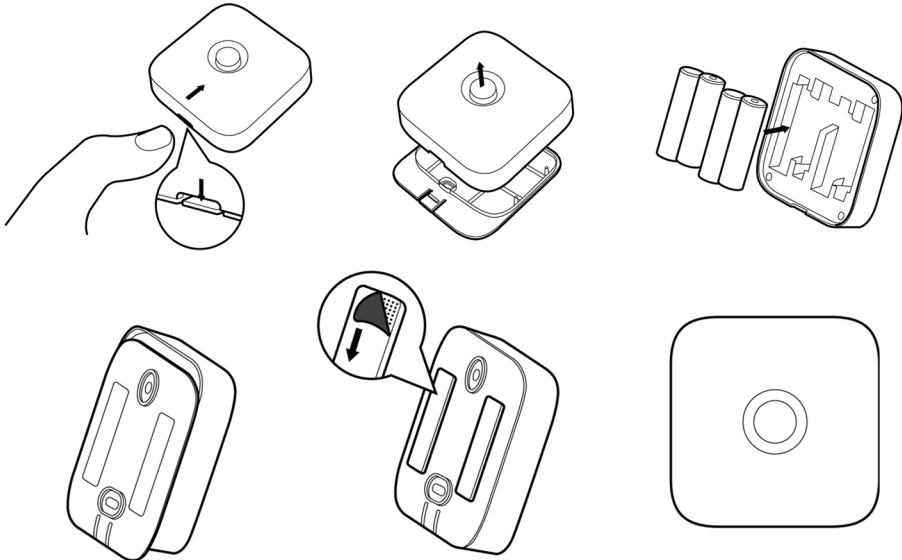
Mounting by Screw

- Press the case release button to separate the front and wall anchor case.
- The back case gives access to both the flush mount and corner mount screw knock outs. Drill through the appropriate knockouts and use the included screws to mount in the desired mounting location.
- It is recommended to ensure there is a tight seal around the knockouts to prevent bugs from entering the sensor and causing false alarms.
- Replace the front sensor cover to snap shut and screw in the sensor case screws on the top and bottom of the wall anchor case.



Mounting by Adhesive Tap

- Press the case release button to separate the front sensor case and wall anchor.
- Insert the battery into the battery compartment.
- Put back the wall anchor case with front sensor case.
- Place one side adhesive tape over the wall anchor case, the side that will face the wall.
- Peel off the other side of adhesive tape.
- Place the sensor on the wall.



6. Operation

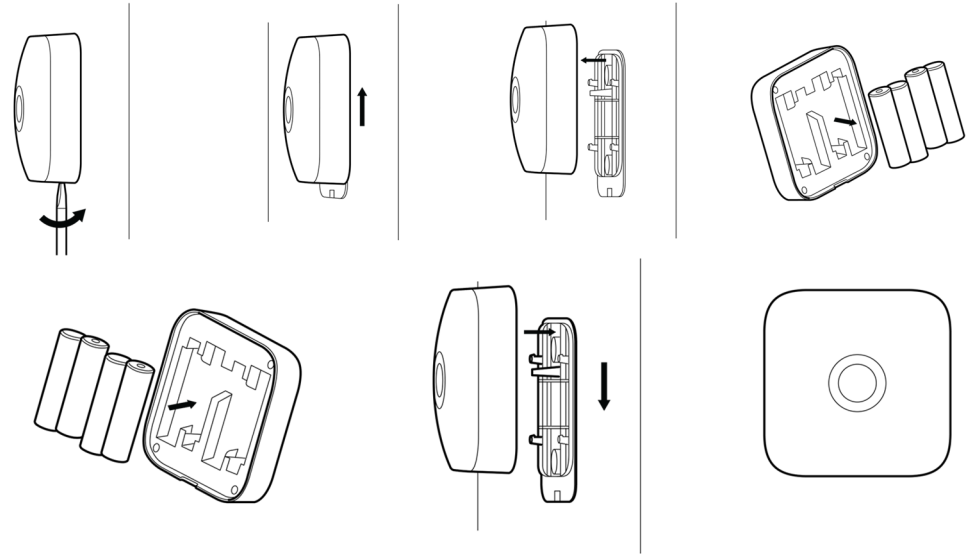
The CO2 sensor requires 45 seconds to warm up for signal stabilizing when performing start up or reset. During the warmup period, the LED will blink slowly in amber. During normal operation, the LED will blink every 5 minutes in green color to indicate the sensor is working properly. However, there are no LED indications when motion is detected. This is done to maximize battery life. Furthermore, when motion is detected and a signal is transmitted to the panel, the sensor will not transmit again for a period of three minutes.

7. Maintenance - Replacing the Battery

When the battery is low, a signal will be sent to the control panel. The LED will blink every 2 minutes in red.

To insert or replace the battery:

- Remove the sensor from the wall anchor by using a bottom-to-top lifting motion.
- Remove the AA Alkaline Battery and install new AA battery
- Always match the plus (+) sign on the battery with the flat side of the compartment and the minus (-) sign on the battery with the spring side.
- Reinstall sensor back to the wall anchor case.



WARNING: Failure to follow these warnings and instructions can lead to heat generation, rupture, leakage, explosion, fire, or other injury, or damage. Do not insert the battery into the compartment in the wrong direction. Always replace the battery with the same or equivalent type (see Specifications on page 1). Never recharge or disassemble the battery. Never place the battery in fire or water. Always keep batteries away from small children. If batteries are swallowed, promptly see a doctor.

Always dispose and/or recycle used batteries in accordance with the hazardous waste recovery and recycling regulations for your location. Your city, state, or country may also require you to comply with additional handling, recycling, and disposal requirements.

8. Environmental and Other Useful Information

- Please install CO2 Sensor with good air flow for more accurate sensing result.
- CO2 Sensor is also sensitive to heat and vibration, please avoid placing the sensor close to external heat source or directly from sunlight, as well as from vibrating device such as device with motor.
- Avoid contact with water or other fluids (water may damage the sensor, therefore minimize exposure while washing, or using water for any purpose.
- CO2 Sensor should not be used in excessive dusty or dirty areas. This may damage the CO2 sensing ability.
- Do not throw, knock or shake the device. Please handle device delicately to avoid damage to sensor.

FCC Compliance Statement

This device complies with part 15 of the FCC Rules. Operation is subject to the following two conditions: (1) This device may not cause harmful interference, and (2) this device must accept any interference received, including interference that may cause undesired operation.

This equipment has been tested and found to comply with the limits for Class B digital devices, pursuant to Part 15 of the FCC Rules. These limits are designed to provide reasonable protection against harmful interference in a residential installation. This equipment generates uses and can radiate radio frequency energy and, if not installed and used in accordance with the instruction manual, may cause harmful interference to radio communications. However, there is no guarantee that interference will not occur in a particular installation. If this equipment does cause harmful interference to radio or television reception, which can be determined by turning the equipment off and on, the user is encouraged to try to correct the interference by one or more of the following measures:

- Re-orient or relocate the receiving antenna
- Increase the separation between the equipment and receiver
- Connect the equipment to an outlet on a different circuit from the receiver
- Consult the dealer or an experienced radio/TV contractor for help.

The user is cautioned that changes and modifications made to the equipment without the approval of manufacturer could void the user's authority to operate this equipment.

FCC Radiation Exposure Statement

This equipment complies with FCC RF radiation exposure limits sent forth for an uncontrolled environment. This equipment should be installed and operated with a minimum distance of 20 centimeters between the radiator and your body.

The antennas used for this transmitter must be installed to provide a separation distance of at least 20cm from all persons and must not be co-located or operation in conjunction with any other antenna or transmitter.

Industry Canada requirements

This device complies with Industry Canada license-exempt RSS standard(s). Operation is subject to the following two conditions: (1) this device may not cause interference and (2) this device must accept any interference, including interference that may cause undesired operation of the device

Le present appareil est conforme aux CNR d'Industrie Canada applicables aux appareils radio exempts de licence. L'exploitation est autorisée aux deux conditions suivantes: (1) l'appareil ne doit pas produire de brouillage, et (2) l'utilisateur de l'appareil doit accepter tout brouillage radioélectrique subi, même si le brouillage est susceptible d'en compromettre le fonctionnement”

Canada RF exposure compliance

To comply with RSS-102 requirements, a separation distance of 20cm must be kept between the device and the user at all times.

Pour se conformer aux exigences RSS-102, une distance de séparation de 20 cm doit être maintenue entre l'appareil et l'utilisateur à tout moment.

เครื่องวิทยุคมนาคมและอุปกรณ์นี้มีความสอดคล้องตามมาตรฐานหรือข้อกำหนดทางเทคนิคของกสทช.



Universal Electronics Inc.