

Date: Apr. 14, 2010

Federal Communication Commission  
Authorization and Evaluation Division

**Subject : FCC Class II Permissive Change/ Bluetooth Embedded Module,  
FCC ID: MDZSV422XVT-BT, Original Grant Date: 08/24/2009  
Applicant: Amtran Technology Co., Ltd.**

Dear Sir/Madam,

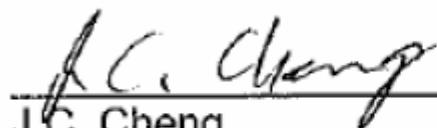
Amtran Technology Co., Ltd. is submitting an application for Class II Permissive Change to our Bluetooth Embedded Module, Model BCM92046MD\_EMB (FCC ID: MDZSV422XVT-BT). This product was initially certified by the Commission on August 24, 2009 under the FCC ID: MDZSV422XVT-BT.

The changes filed under this application are adding LCD TV Model VIZIO XVT373SV###, XVT373SV### and VIZIO XVT323SV###, XVT323SV### collocated with Bluetooth Embedded Module, FCC ID: MDZSV422XVT-BT. And the PCB's electronic circuit changes are described at following page, but the BT module is identical.

Should you have any questions or require any other information, please do not hesitate to contact our technical agent Mr. Ben Cheng of AUDIX Technology Corporation, Tel: +886-2-2609-2133, e-mail: ben\_cheng@audixtech.com.

Thank you for your attention and cooperation in this matter.

Sincerely Yours,



---

J.C. Cheng  
Senior Engineer  
Amtran Technology Co., Ltd.

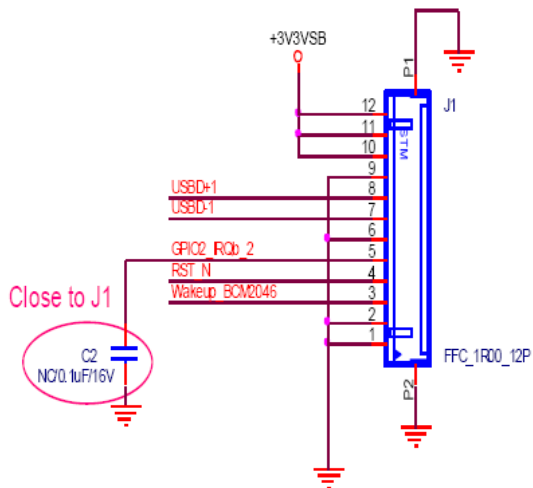
# VIA & VIA2 BT BD different point



2009/9/21

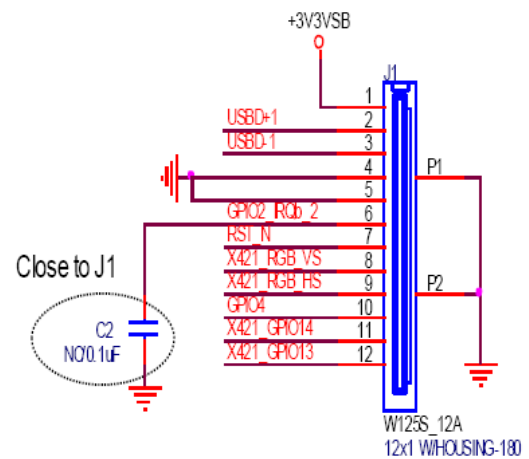
## Schematic ( J1 pine define different )

VIA schematic



Connector is FFC type

VIA2 schematic



Connector is Normal type