

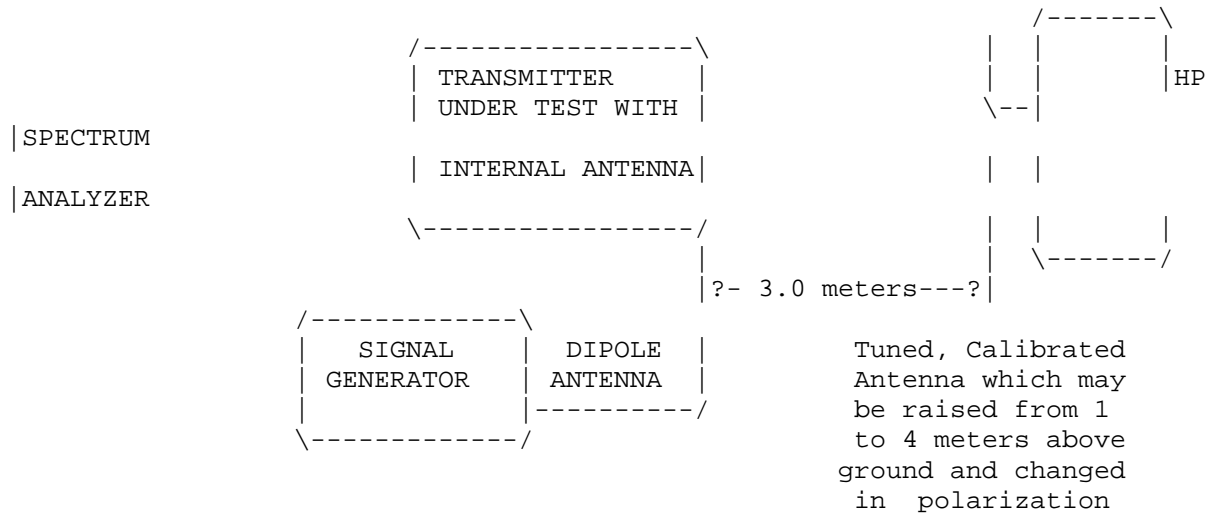
2.985(a) RF power output.

ERP was measured by the method described later in this report. The input power to the final stage was measured with a 9.V supply connected in place of the 9V battery.

INPUT POWER: FOR 9.0 V OPERATION
(4.4V)(0.0085A) = 37.4milliWatts

OUTPUT POWER: FOR 9.0 V OPERATION
1.5 mWATTS ERP

R.F. POWER OUTPUT



Equipment placed 1 meter above ground on a rotatable platform. The center of the Dipole antenna at the center of the platform and the output of the signal generator adjusted to produce the same meter reading as measured for the fundamental in the radiated emissions test.

2.993(a)(b) Field strength of spurious emissions:

NAME OF TEST: RADIATED SPURIOUS EMISSIONS

REQUIREMENTS: Emissions must be $43 + 10\log(P_o)$ dB below the mean power output of the transmitter.

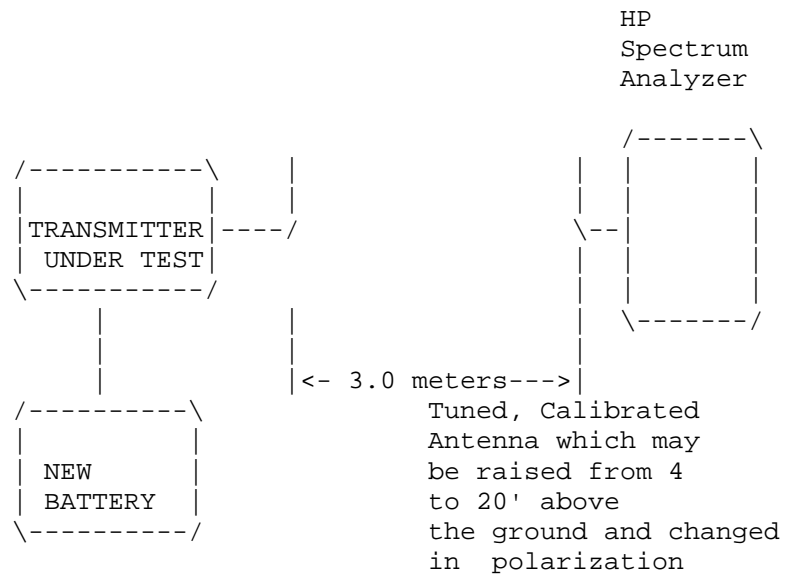
$$43 + 10 \log(0.0015) = 43 - 28.0 = 15 \text{ dB}$$

TEST DATA:

EMISSION FREQUENCY MHz	METER READING @ 3m dBuV	COAX LOSS dB	ACF dB	FIELD STRENGTH dBuV/m	ATT. LEVEL dB	MARGIN dB	ANT.
803.02	73.50	2.90	22.16	98.56	0.0		V
1606.04	21.70	1.00	26.42	49.12	-49.44	34.44	H
2409.06	19.30	1.09	29.02	49.41	-49.15	34.15	H
3212.08	4.50	1.21	31.03	36.74	-61.82	46.82	H

METHOD OF MEASUREMENT: The procedure used was C63.4-1992 operated into its own built-in antenna at a height of 1.5 meters above the ground plane. The spectrum was scanned from 30 to at least the tenth harmonic of the fundamental using a HP model 8566B spectrum analyzer, an Eaton model 94455-1 Biconical Antenna, ElectroMetrics antennas models TDA, TDS-25-1, TDS-25-2 RGA 180. Measurements were made at the open field test site of TIMCO ENGINEERING INC. located at 6051 N.W. 19th LANE, GAINESVILLE, FL. 32605.

Method of Measuring Radiated Spurious Emissions



Equipment placed 4' above ground on a rotatable platform.