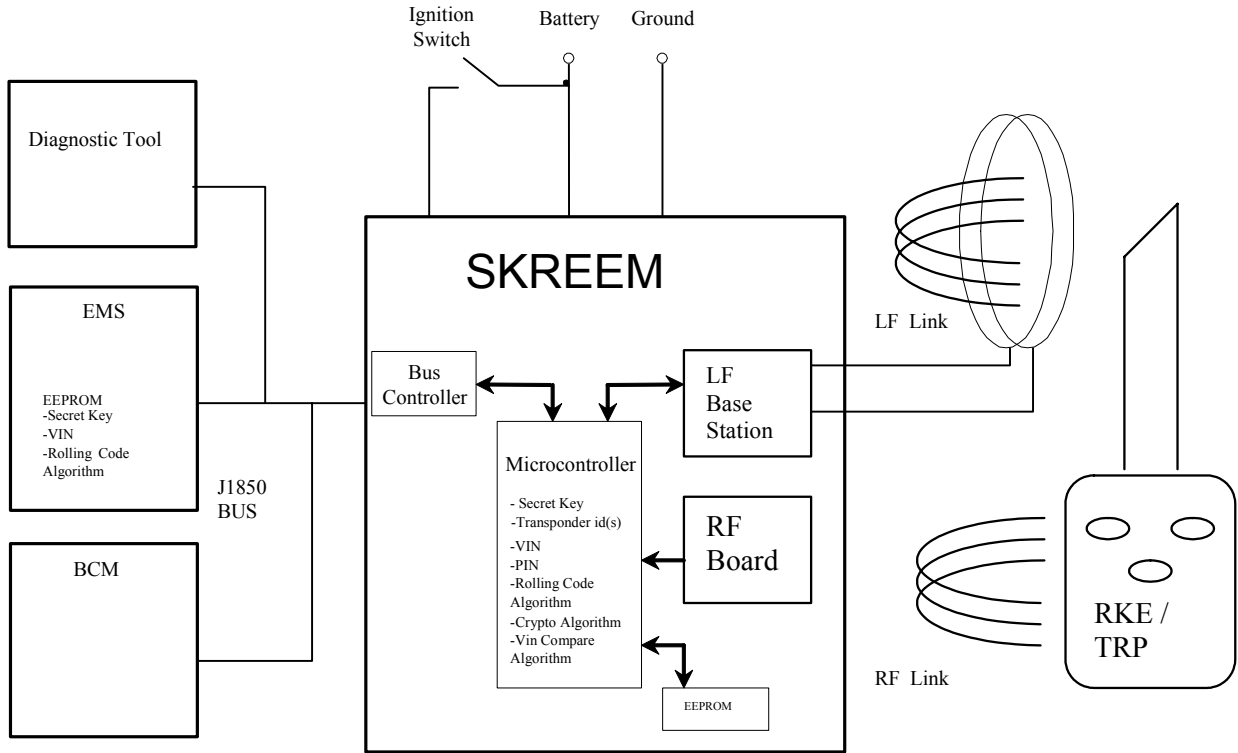
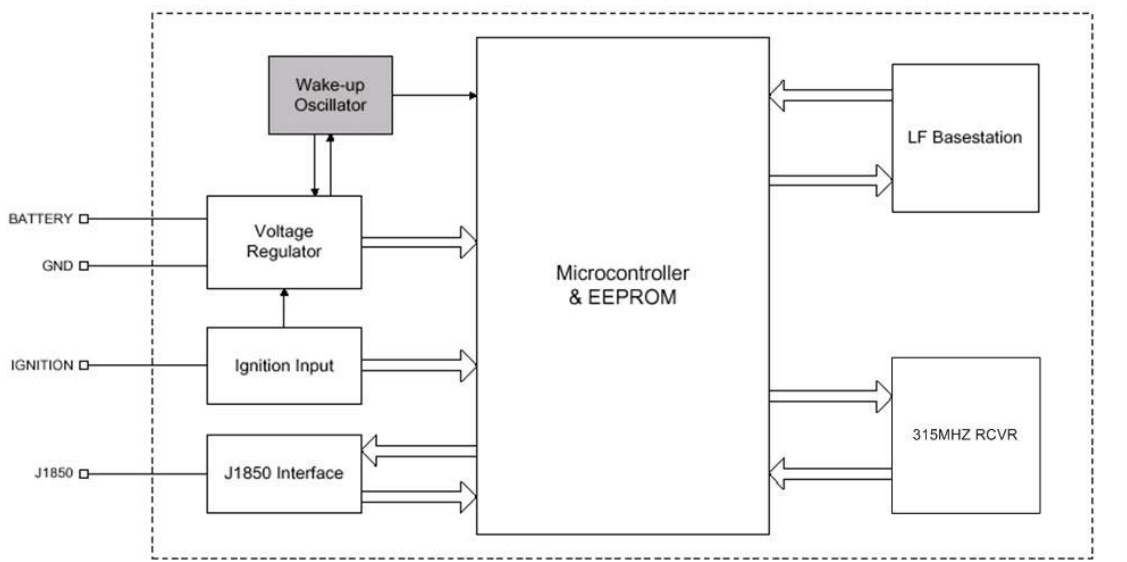


## System Block Diagram



## Module Block Diagram



15.96 MHz XTAL □

125 kHz Oscillator