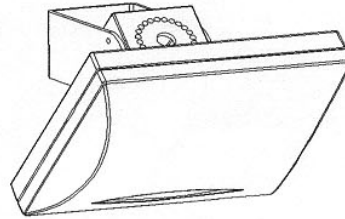
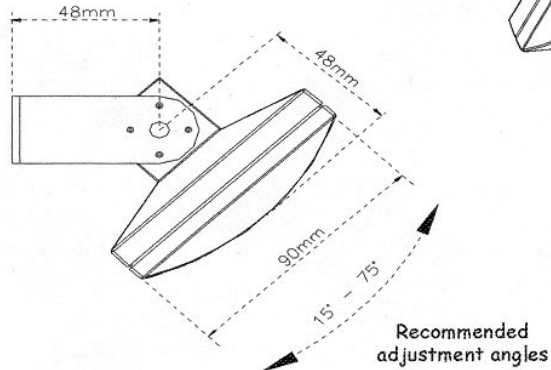
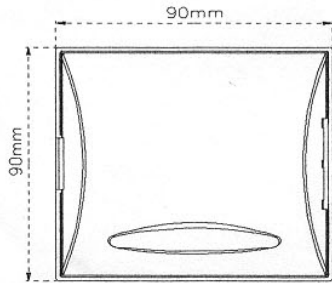


Technical Detail

Model	BB100		
Frequency	10.525GHz		
Detection Pattern	Selections of wide or narrow beam		
Detection Angle	Adjustable; 15° to 75° in 15° increments		
Detection Range		Wide Beam	Narrow Beam
	Range	0.6m-4 m	0.9m-5m
	Width	0.6m-3m	0.2m-1.5m
Max. Mounting Height	3.0m from flat ground		
Input Power	9 - 24Vdc or 10 - 24Vac		
Output Contact	Form A, rated at 1A (optional Form C)		
Current Draw (Typical)	15mA relay OFF / 100mA relay ON		
Operating Temperature	-20°C ~ +55°C (-4°F ~ +131°F)		
Color	Grey (Other colors are available)		
Enclosure	Vandal Proof ABS Plastic		
Size	Length x Width x Height 90mm (L) x 90mm (W) x 61.35mm(H)		
Weight	120Grams		
Hold Time	Adjustable(Trimmer); 1 - 5 seconds		
Accessories	2m length cables, 1 set of mounting bracket with bolt & nut and mounting screws for casing		



Design Dimension

Distributed by :