

Tech-Vision Communication Ltd			
DATE:	15 Jun 04	MODEL:	NWE35818
DRAWN BY:	JACKSON SHU	TITLE:	BASE MAIN BOARD
CHECKED BY:			
APPROVED BY:		DRAWING NO.:	
PCB NO.:		SHEET: 1 OF 2	REV.: 04
DISK NAME:			

6

5

4

3

2

1

REVISION RECORD			
LTR	ECO NO.	APPROVED	DATE

D

C

B

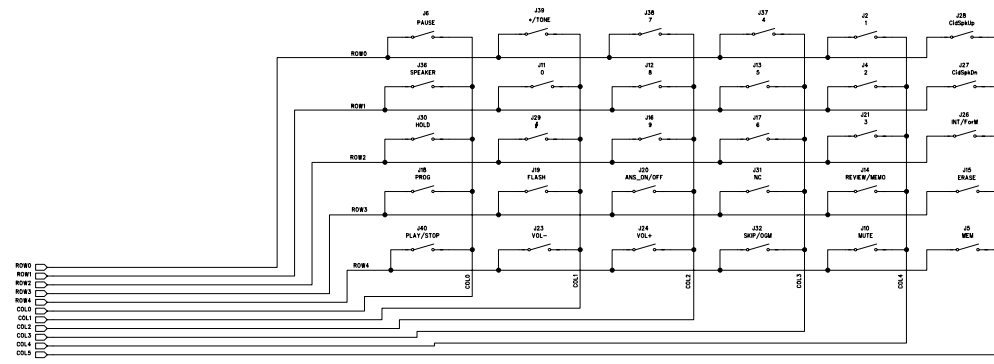
A

D

C

B

A



DRAWN:		JACKSON SHU		DATED:		15 Jun 04		COMPANY: Tech-Vision Communication Ltd			
CHECKED:				DATED:				TITLE: NWE35818 BASE MAIN BOARD			
QUALITY CONTROL:				DATED:				CODE:	SIZE:	DRAWING NO.:	REV: D4
RELEASED:				DATED:				SCALE:		SHEET: 2 OF 2	