

THIS DOCUMENT AND THE DATA DISCLOSED HEREIN OR HEREWITH IS NOT TO BE USED, REPRODUCED OR DISCLOSED IN WHOLE OR IN PART TO ANYONE WITHOUT THE WRITTEN PERMISSION OF WINLAND ELECTRONICS INC.

PCB REFERENCE  
L-004-0220

NOTES & SPECIAL SYMBOLS

(F) (F) (F)  
(TH) (TH)

REVISION HISTORY

REV	ECO	BY	DATE	DESCRIPTION
1	7308	DAF	11/26/03	Release to rev 1.
2	xxxx	xxx		Add two tooling holes. L5 footprint changed from 1008 to 0805. Added the following components: C11 - C14,C16, R12,R13,R14,R26,R27,R32,U4. Values changed for the following parts: C24,C26,L1,L3,L5, R23.

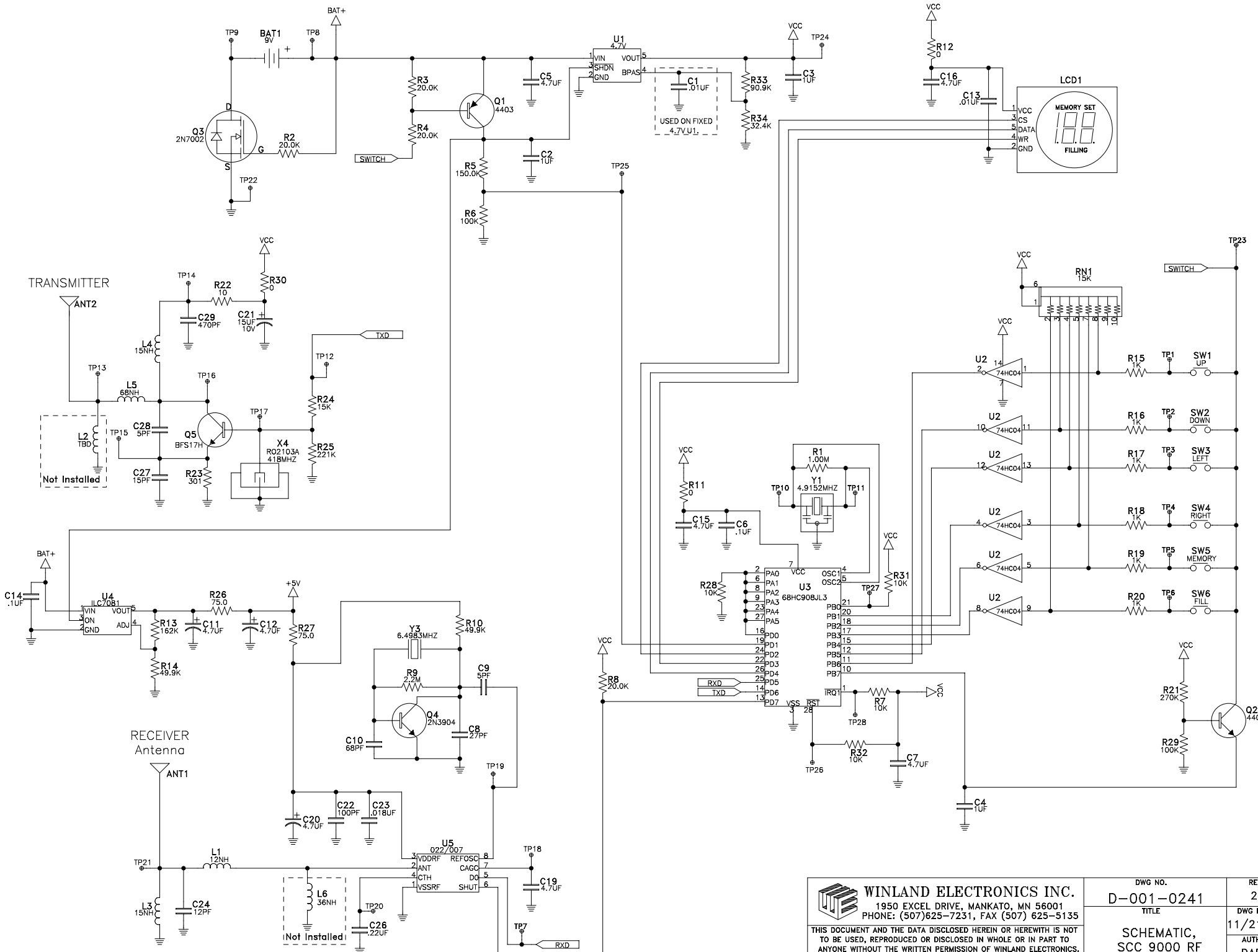



PHONE: (507)625-7231  
FAX: (507)625-5135

AUTHOR	APPROVED	DWG DATE
DAF		11/21/03
SIZE		REV
A		2

TITLE

SCHEMATIC,  
SCC 9000 RF  
HAND CONTROL




**WINLAND ELECTRONICS INC.**  
 1950 EXCEL DRIVE, MANKATO, MN 56001  
 PHONE: (507)625-7231, FAX (507) 625-5135  
 THIS DOCUMENT AND THE DATA DISCLOSED HEREIN OR HEREWITH IS NOT TO BE USED, REPRODUCED OR DISCLOSED IN WHOLE OR IN PART TO ANYONE WITHOUT THE WRITTEN PERMISSION OF WINLAND ELECTRONICS.  
 PCB REFERENCE NOTES & SPECIAL SYMBOLS

DWG NO. <b>D-001-0241</b>	REV <b>2</b>
TITLE <b>SCHEMATIC, SCC 9000 RF HAND CONTROL</b>	DWG DATE <b>11/21/03</b>
	AUTHOR <b>DAF</b>
	SHEET <b>2 of 2</b>