


Label of Model: XW-BTS1-W

<p><b>Pioneer</b></p> <p>WIRELESS SPEAKER SYSTEM ENCEINTE SANS FIL MODEL / MODELE : XW-BTS1-W 9 V <math>\Rightarrow</math> 1.66 A 14.94 W FCC ID : LMZ-20009BT IC : 10306A-20009BT</p> <p>This device complies with Part 15 of the FCC Rules. Operation is subject to the following two conditions : (1) This device may not cause harmful interference, and (2) this device must accept any interference received, including interference that may cause undesired operation. This Class B digital apparatus complies with Canadian ICES-003. Cet appareil numérique de la Classe B est conforme à la norme NMB-003 du Canada.</p> <p><b>PIONEER CORPORATION</b> MADE IN CHINA FABRIQUE EN CHINE</p>	<p>CONFORMS TO ANSI/UL STD. 60065</p> <p>CERTIFIED TO CAN/CSA STD. C22.2 No. 60065</p> <p> C <b>ETL</b> <sup>SM</sup> US</p> <p><b>Intertek</b> 4005405</p>	<p>Serial No.</p> <div style="border: 1px solid black; height: 30px; width: 100%;"></div>
---	--	---

Label of Model: XW-BTS1-K

**Pioneer**  
WIRELESS SPEAKER SYSTEM  
ENCEINTE SANS FIL  
MODEL / MODELE : XW-BTS1-K  
9 V  1.66 A 14.94 W  
FCC ID : LMZ-20009BT  
IC : 10306A-20009BT

CONFORMS TO  
ANSI/UL STD. 60065  
CERTIFIED TO  
CAN/CSA STD. C22.2  
No. 60065

 C  US

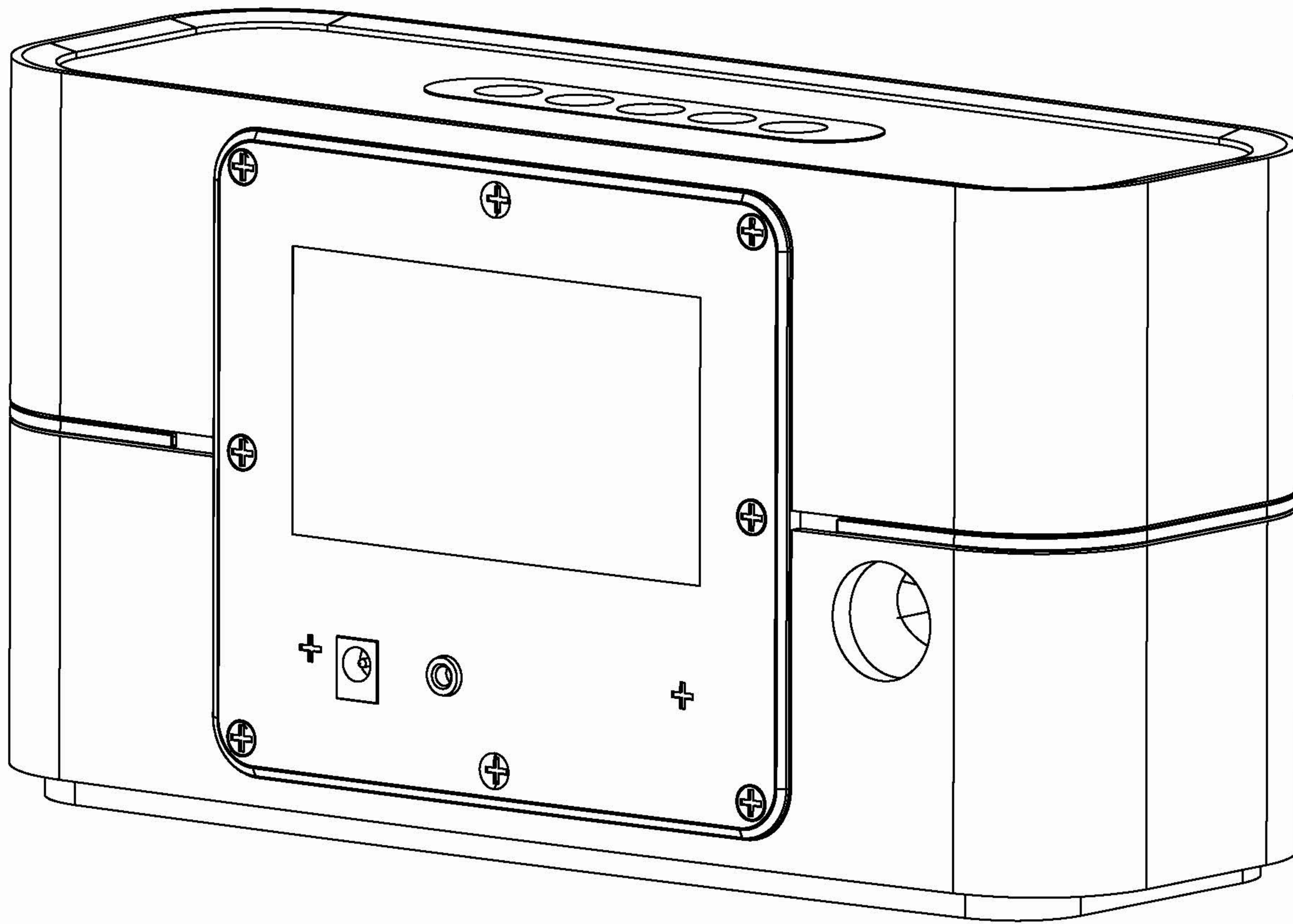
**Intertek**  
4005405

This device complies with Part 15 of the FCC Rules.  
Operation is subject to the following two conditions : (1) This device  
may not cause harmful interference, and (2) this device must accept any  
interference received, including interference that may cause undesired operation.  
This Class B digital apparatus complies with Canadian ICES-003.  
Cet appareil numérique de la Classe B est  
conforme à la norme NMB-003 du Canada.

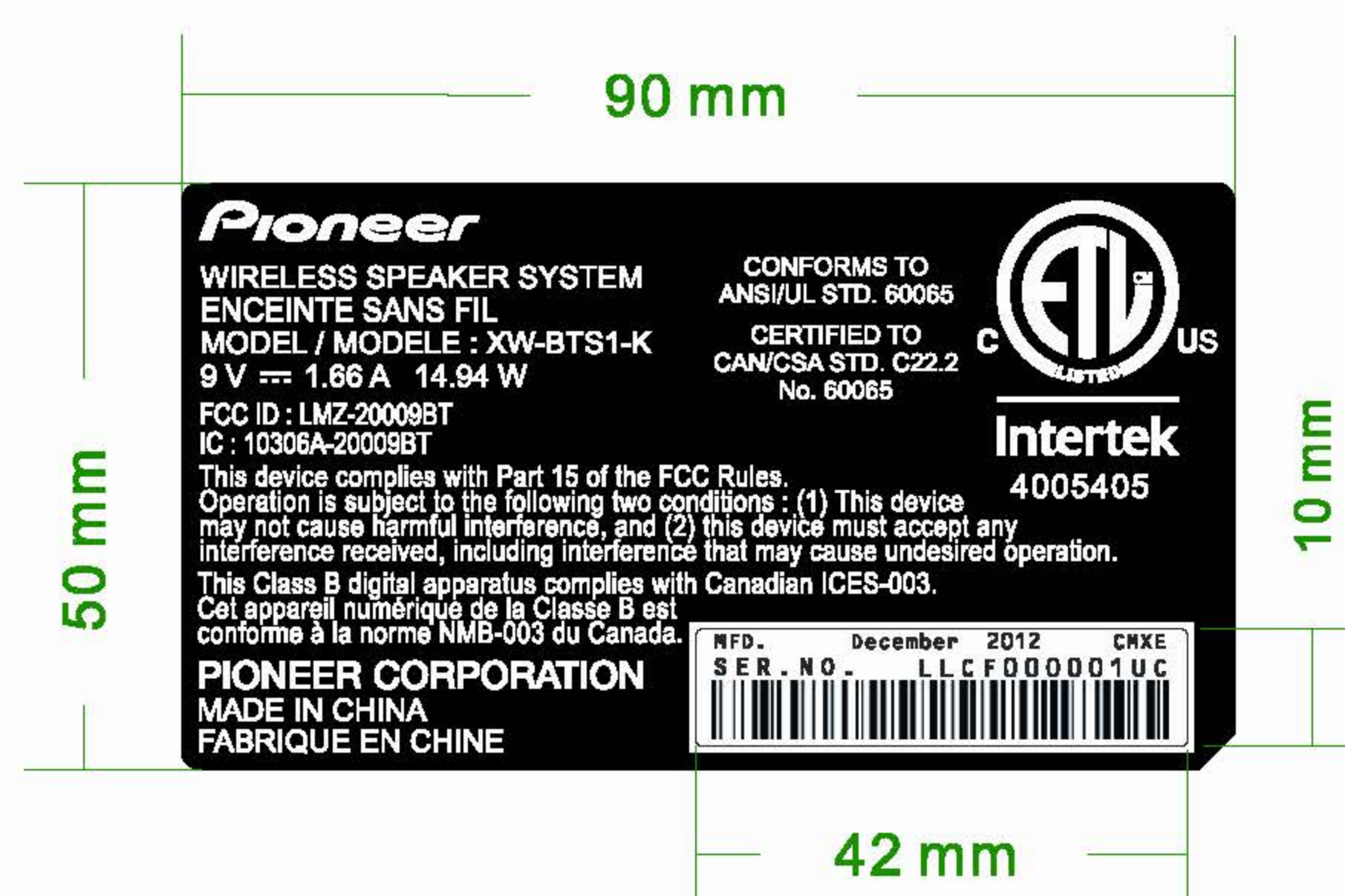
**PIONEER CORPORATION**  
MADE IN CHINA  
FABRIQUE EN CHINE

Serial No.





**Label Size**



The white label is also the same location and size as the black label.