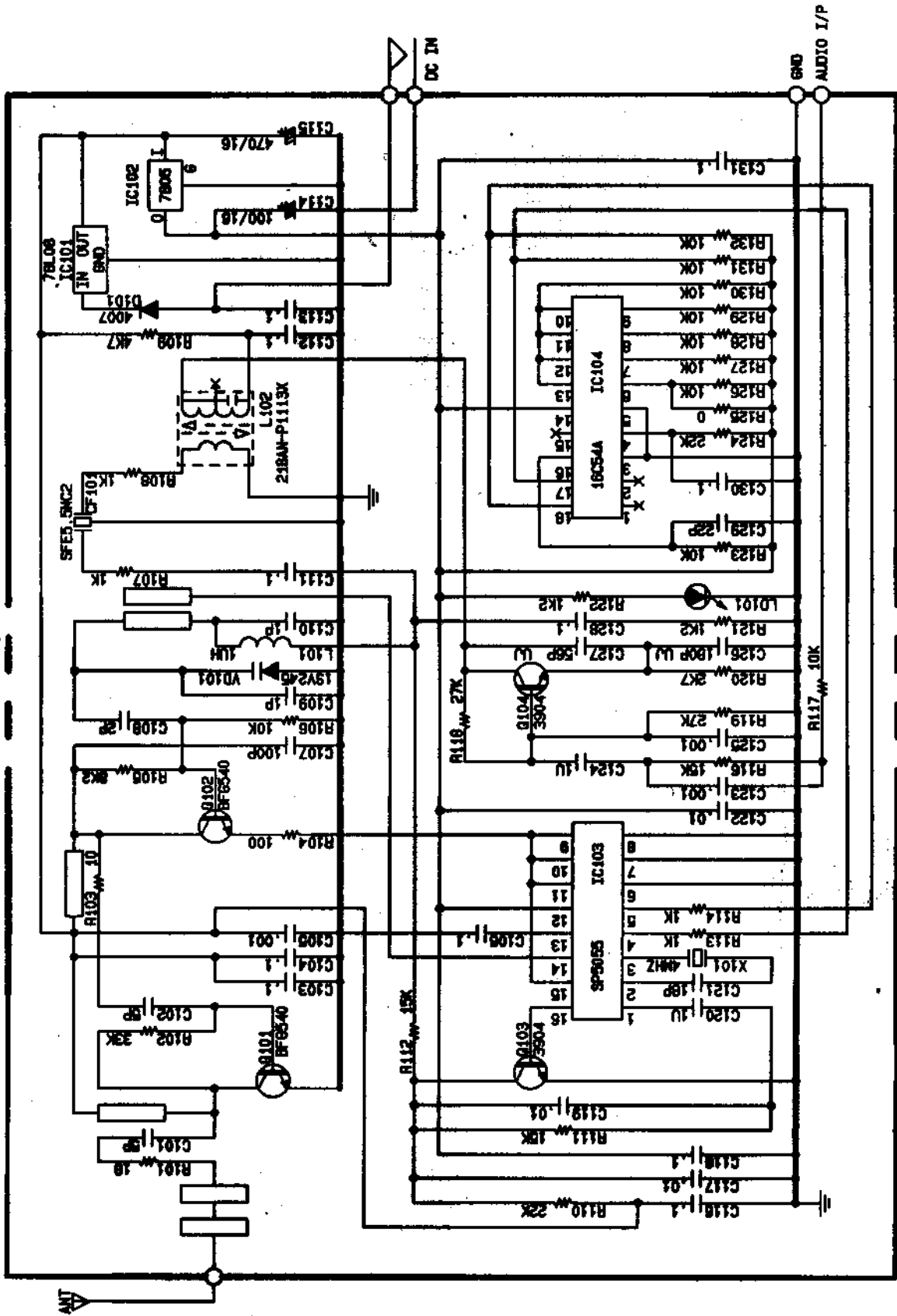


APPROVED	MODEL NO.	W6-5.
CHECKED	TITLE	SCHEMATIC DIAGRAM
DESIGNED	DRAWING NO.	(8)
JSW PACIFIC CORP.		

11M



APPROVED	MODEL NO.	WL-5TX
CHECKED	TITLE	SCHEMATIC DIAGRAM (1X)
DESIGNED	DESIGNED NO.	91.03.07.
JSW PACIFIC CORP.		