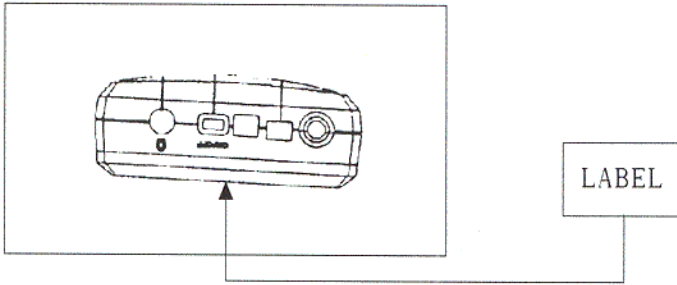
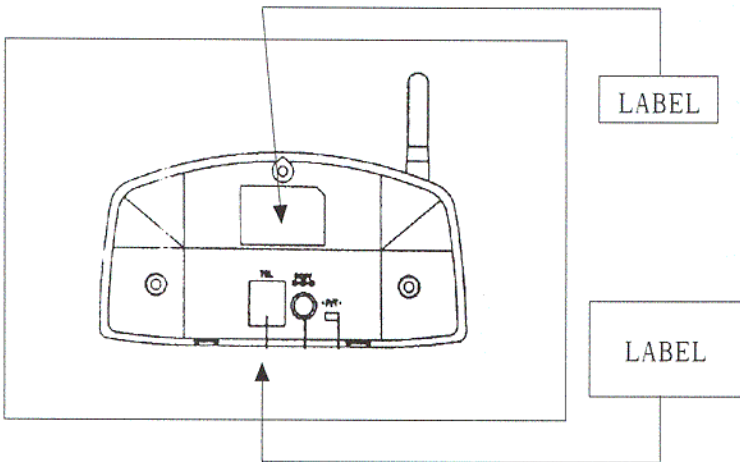


LOCATION OF LABEL

VORTEC/SMP-1000



HAND SET (REAR)



BASE UNIT (REAR AND BOTTOM)

SAMSUNG CORPORATION
FCC ID: LDRSMP-1000
EXHIBIT #: 3