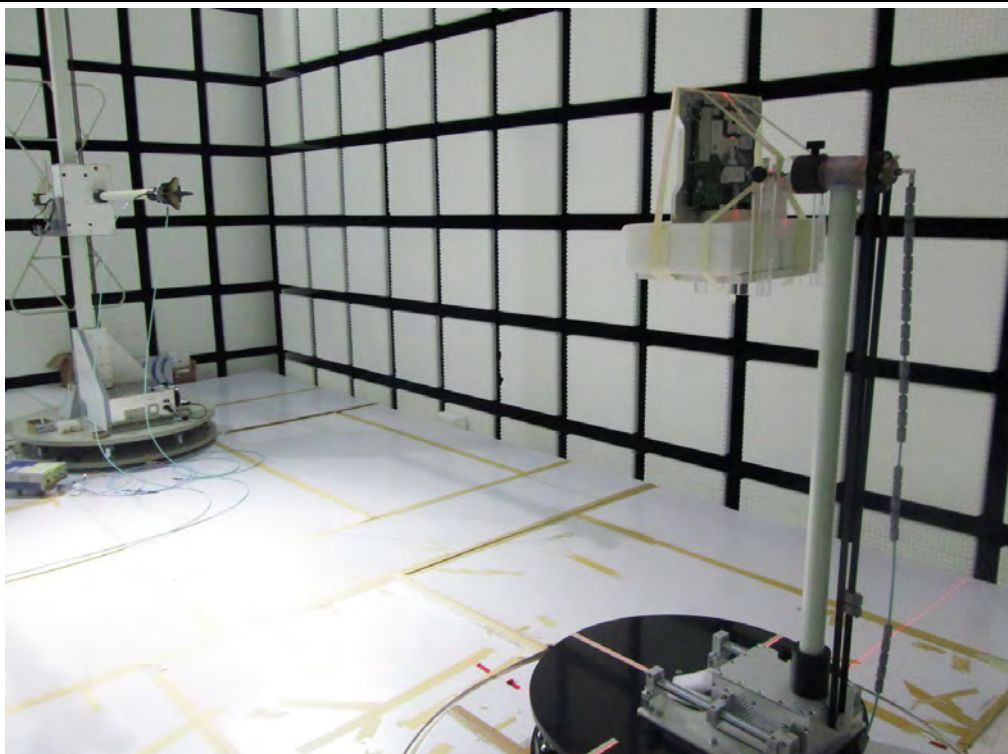
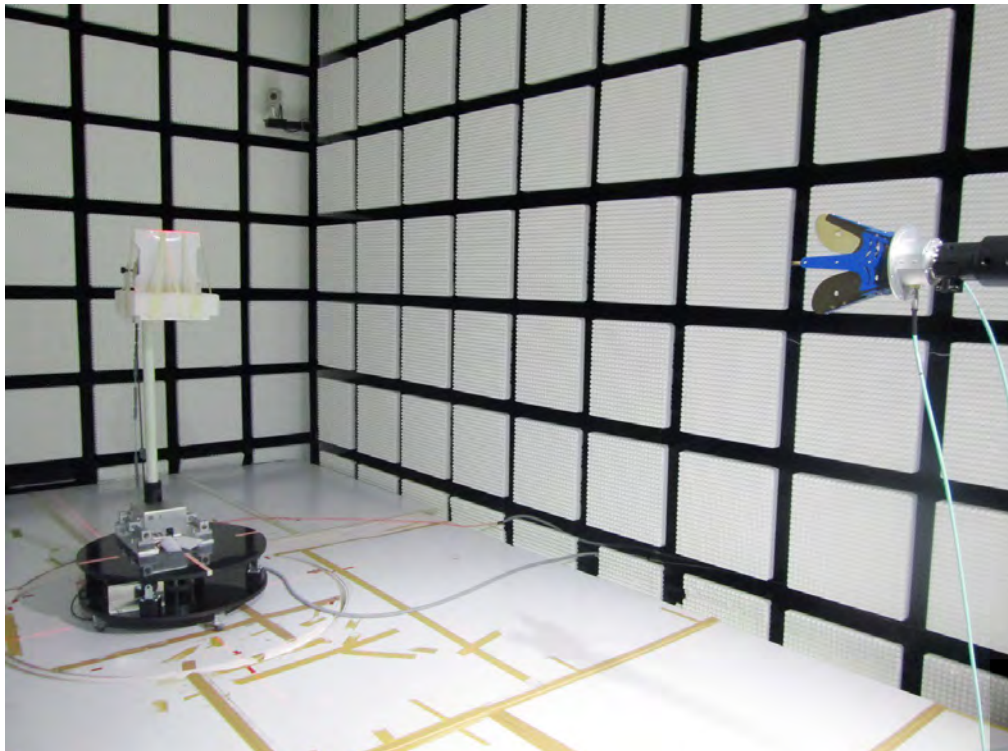
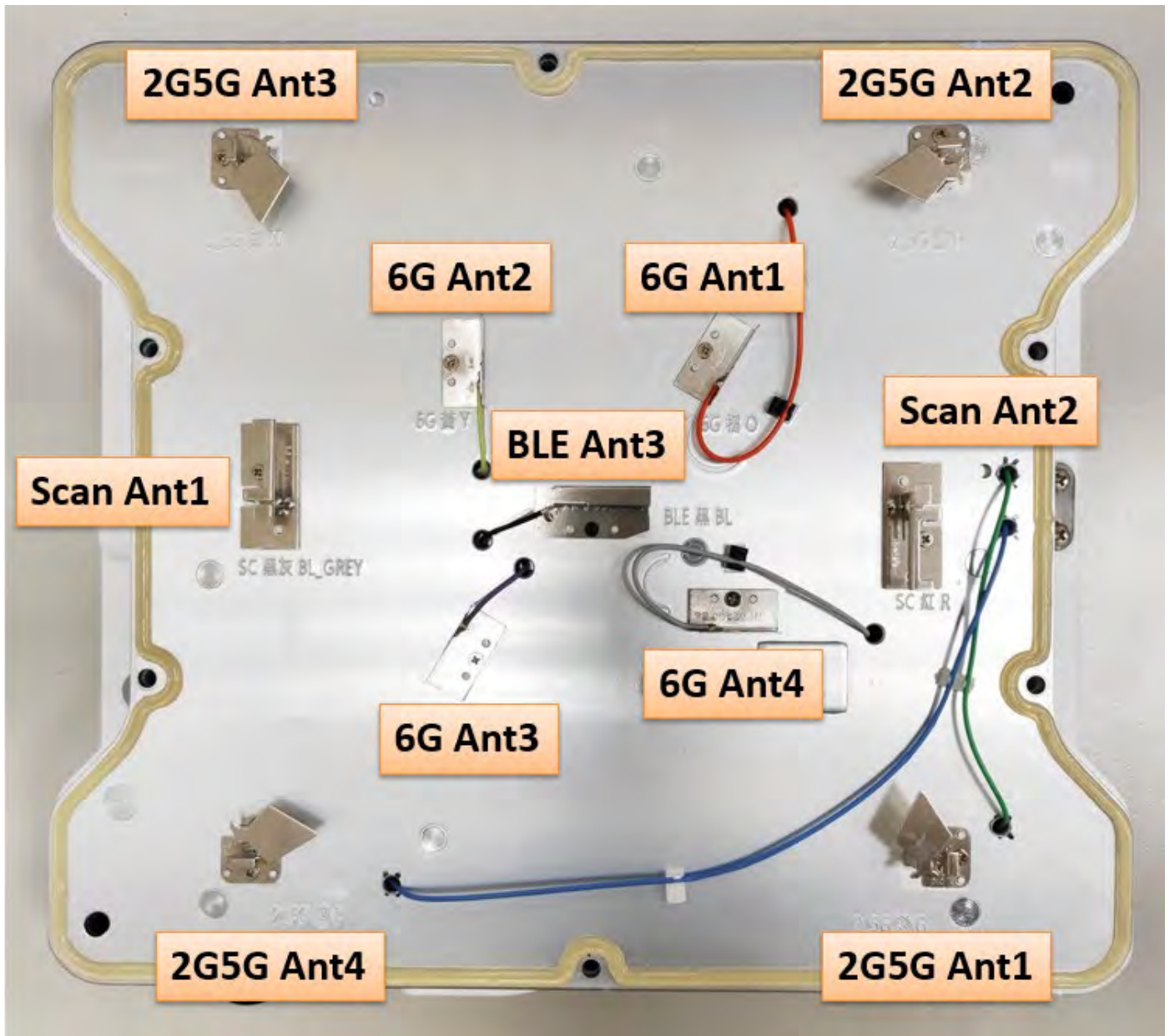




Test Setup Photos



## 2. Antenna Configuration Diagram of EUT



————THE END————