

6

5

4

3

2

1

D

C

B

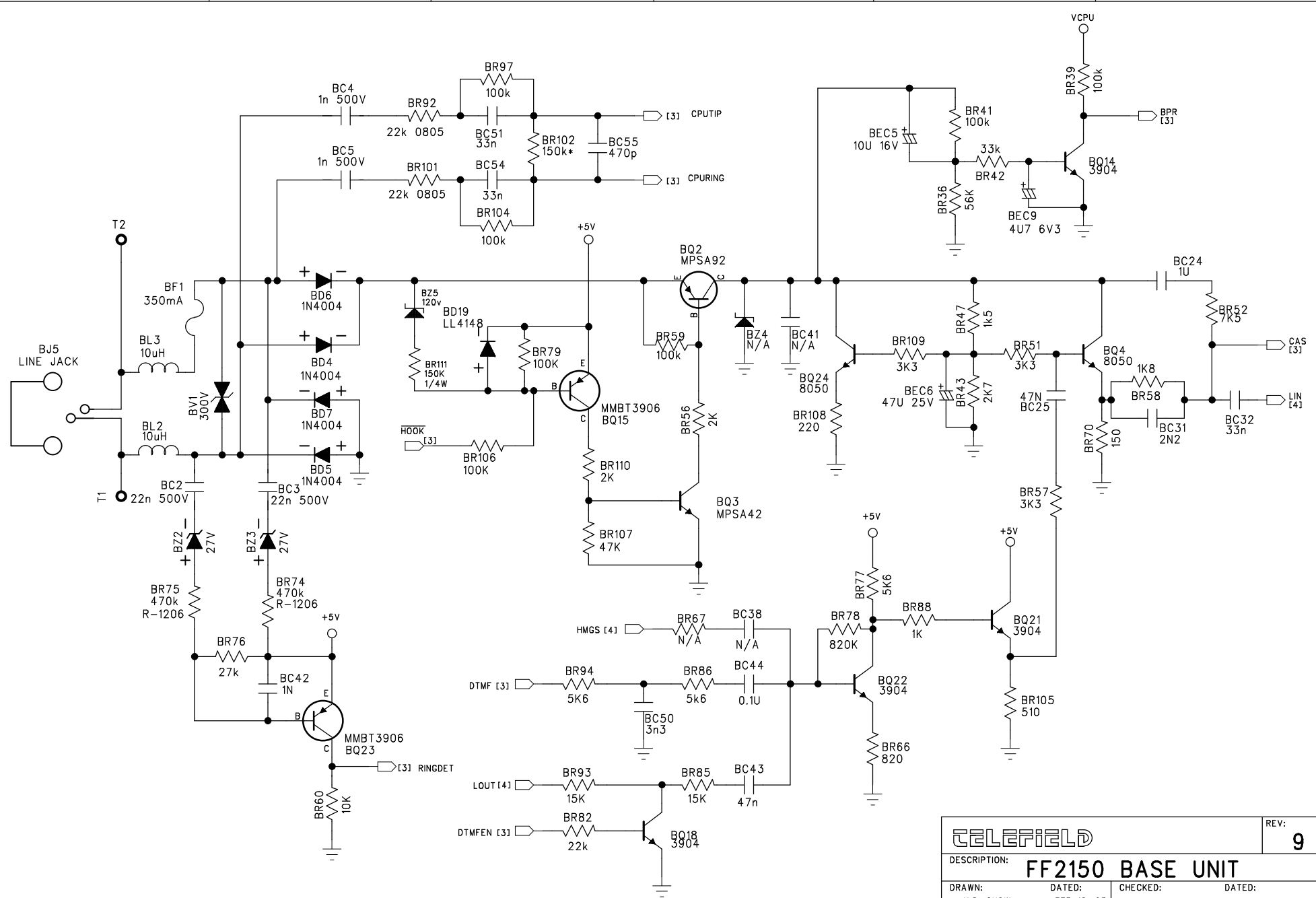
A

D

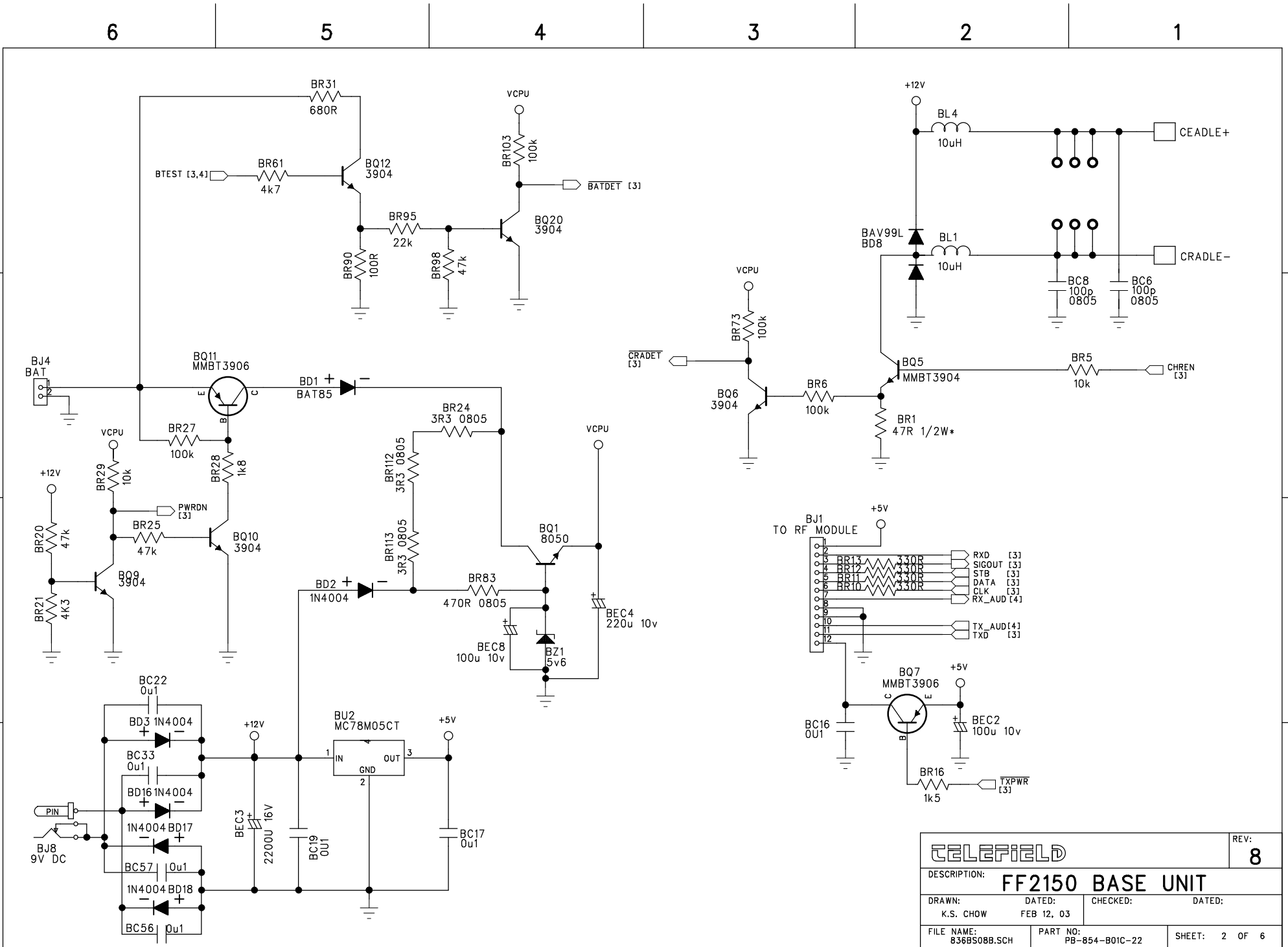
C

B

A



TELEFIELD		REV: 9	
DESCRIPTION: FF2150 BASE UNIT			
DRAWN: K.S. CHOW	DATED: FEB 12, 03	CHECKED:	DATED:
FILE NAME: 836BS08B.SCH	PART NO: PB-854-B01C-22	SHEET: 1 OF 6	



TELEFIELD		REV:	8
DESCRIPTION: FF2150 BASE UNIT			
DRAWN:	DATED:	CHECKED:	DATED:
K.S. CHOW	FEB 12, 03		
FILE NAME:	PART NO:	SHEET: 2 OF 6	
836BS08B.SCH	PB-854-B01C-22		

6 5 4 3 2 1

D

C

B

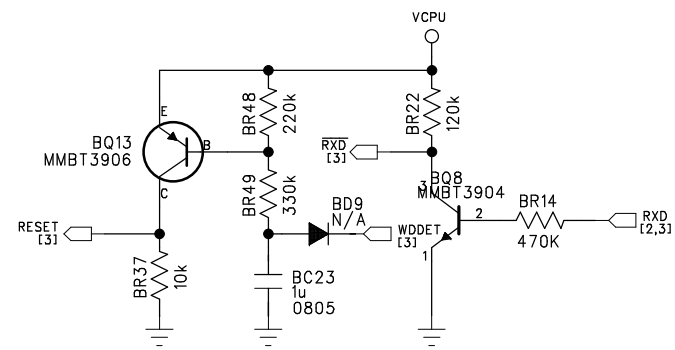
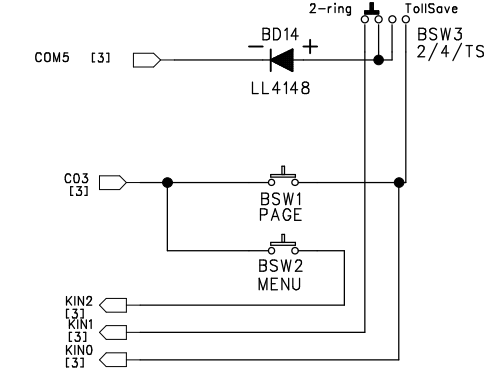
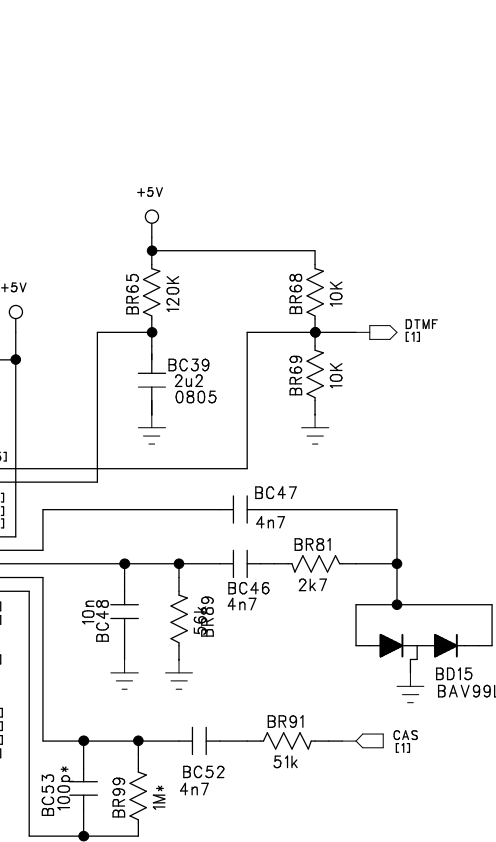
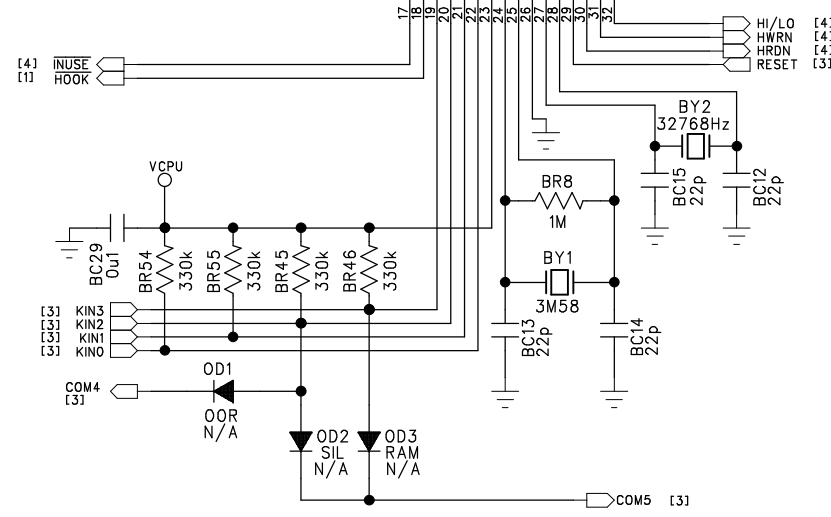
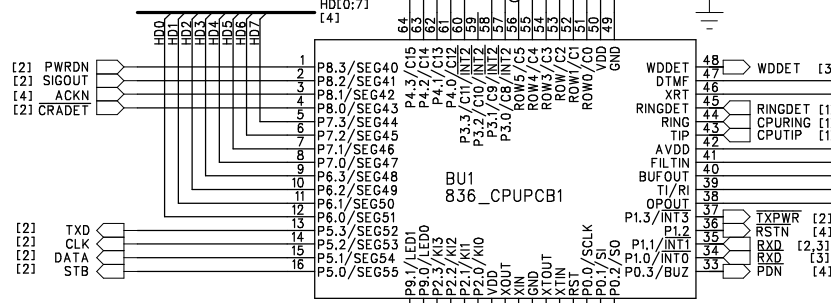
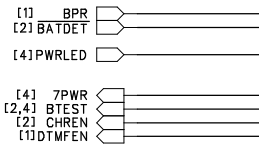
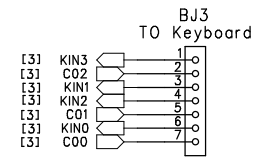
A

D

C

B

A



TELEFIELD		REV: 8
DESCRIPTION: FF2150 BASE UNIT		
DRAWN: K.S. CHOW	DATED: FEB 12, 03	CHECKED: DATED:
FILE NAME: 854BS08B.SCH	PART NO: PB-854-B01C-22	SHEET: 3 OF 6

6

5

4

3

2

1

D

C

B

A

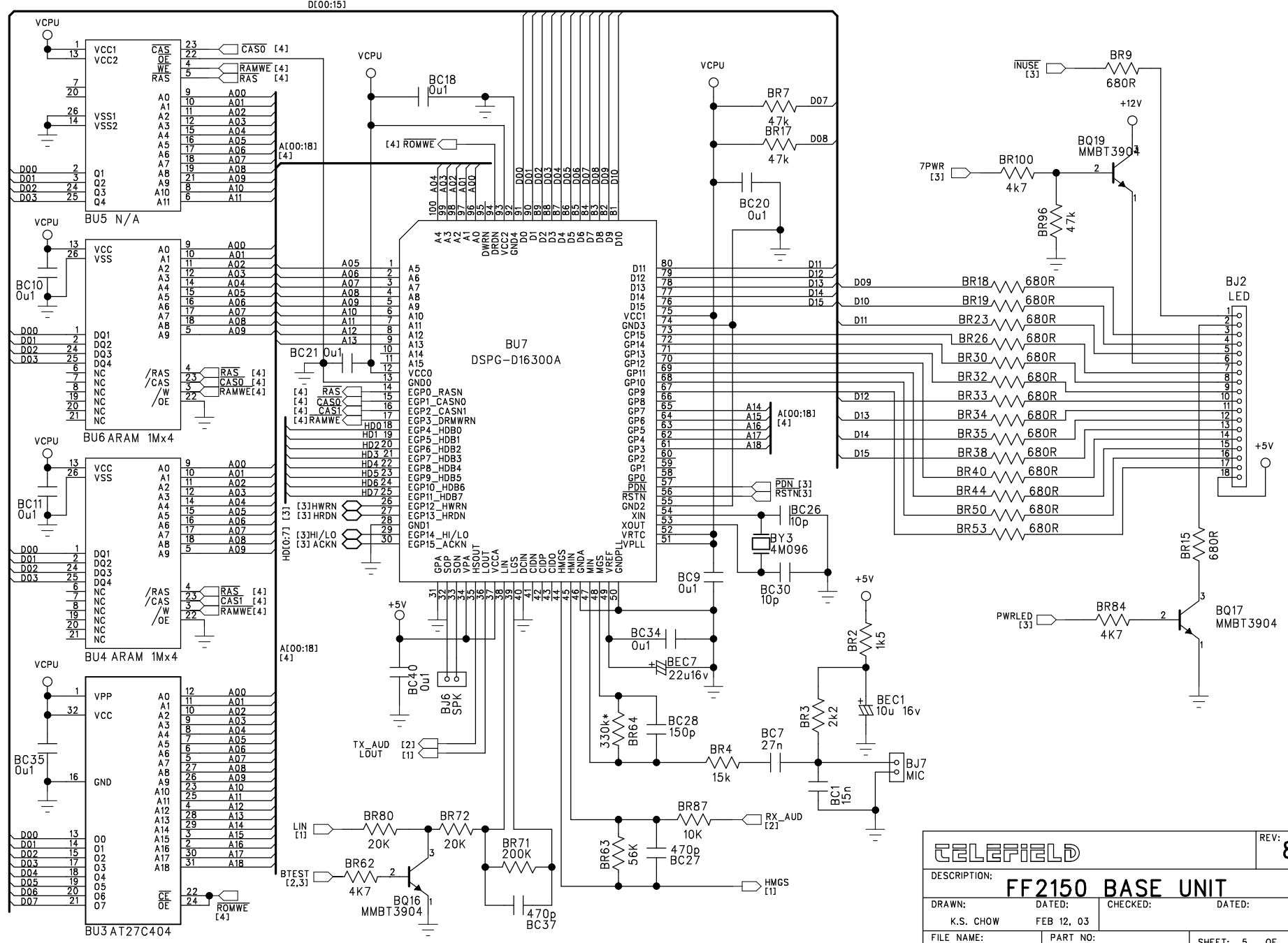
D

C

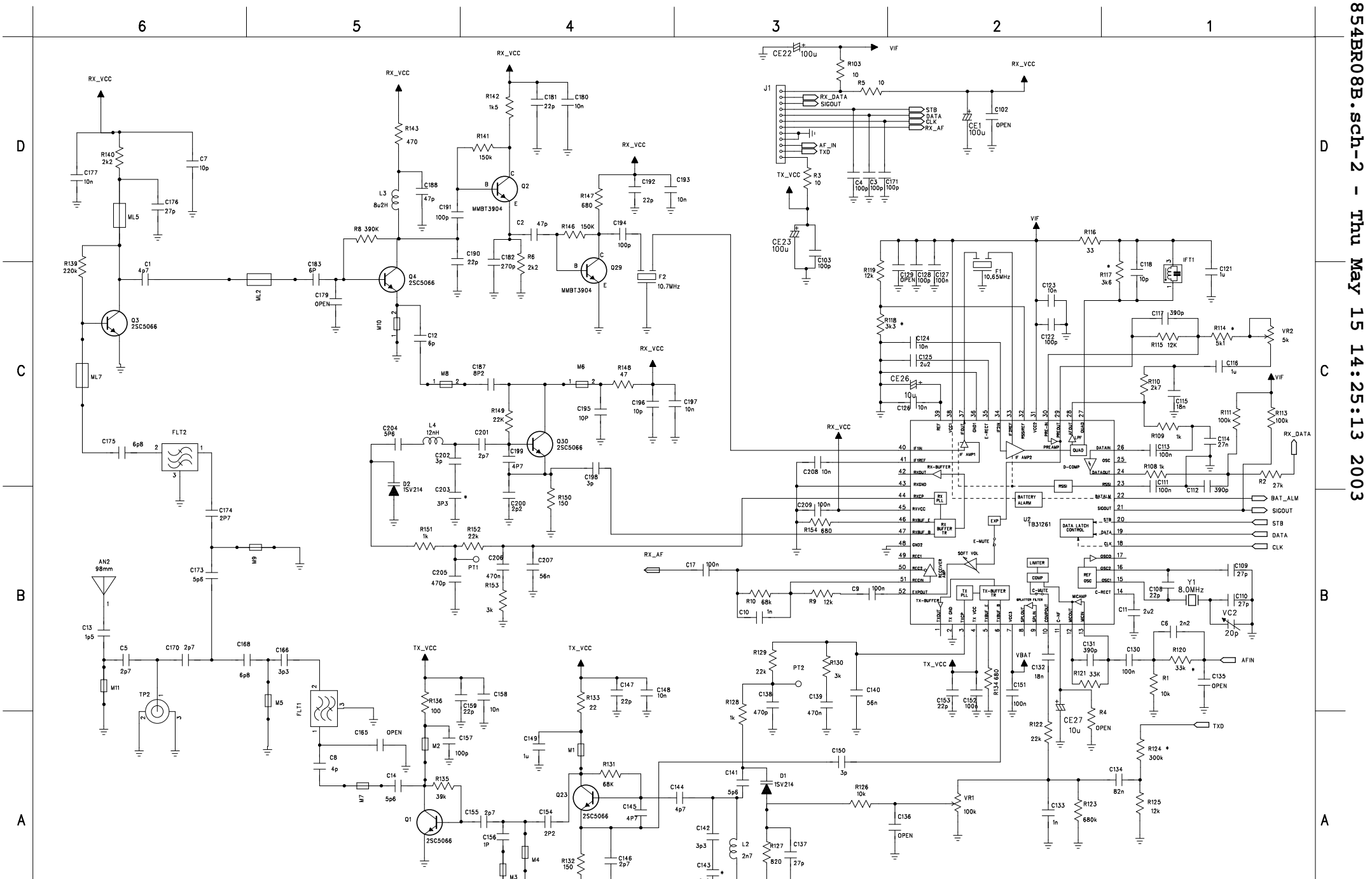
B

A

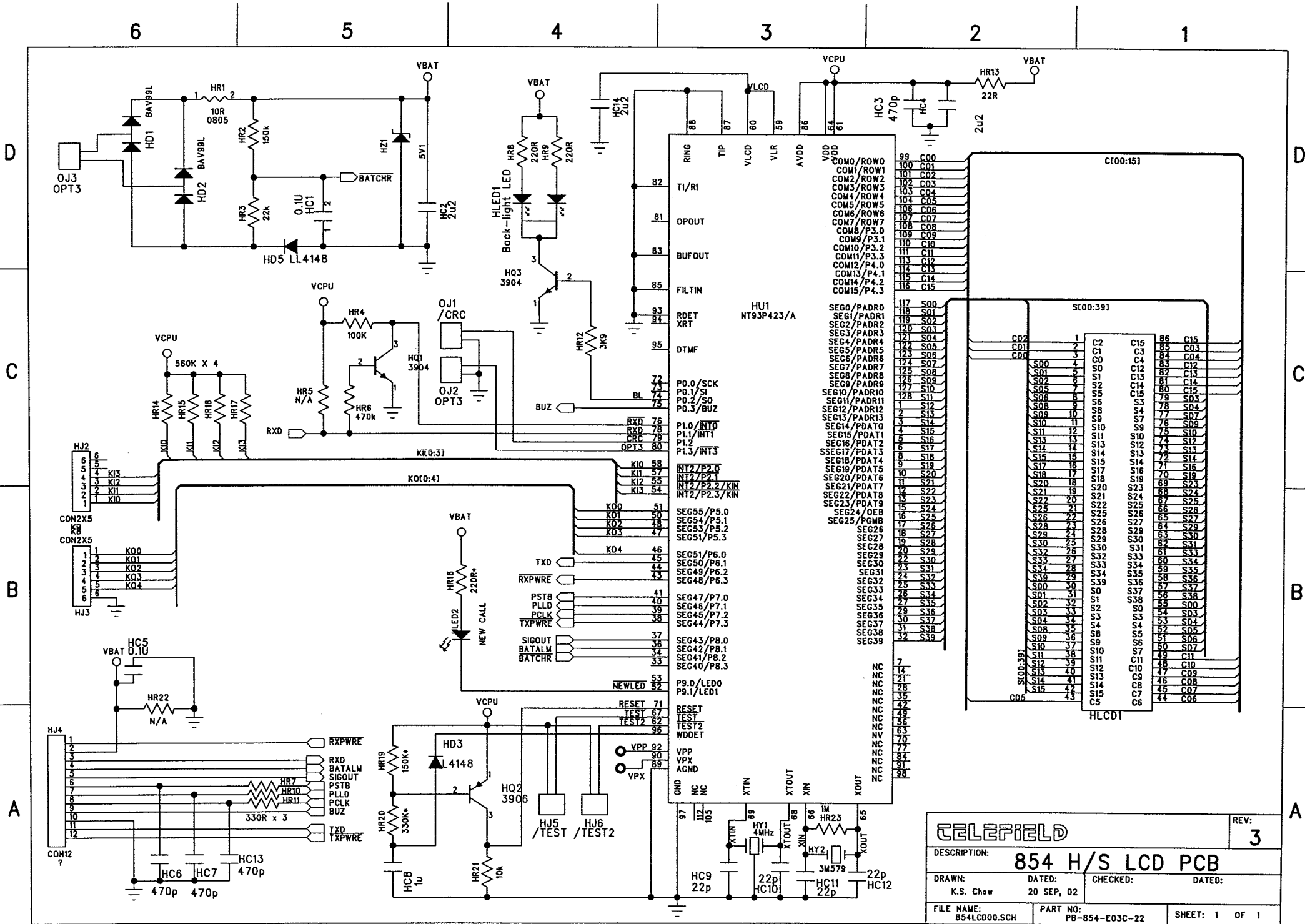
11



TELEFIELD		REV: 8
DESCRIPTION: FF2150 BASE UNIT		
DRAWN: K.S. CHOW	DATED: FEB 12, 03	CHECKED: DATED:
FILE NAME: 854BS08B.SCH	PART NO: PB-854-B01C-22	SHEET: 5 OF 6



Telefield 854br07		TITLE:	854br07
FILENAME:		DRAWN:	Kam Chan
		CHECKED:	DATE: Dec. 16, 2002
		SHEET:	OF
		DOC. NO.:	
		REV.:	



TELEFIELD		REV:	3
DESCRIPTION: 854 H/S LCD PCB			
DRAWN: K.S. Chow	DATED: 20 SEP, 02	CHECKED:	DATED:
FILE NAME: B54LCD00.SCH	PART NO: PB-854-E03C-22	SHEET: 1 OF 1	

6

5

4

3

2

1

D

C

B

A

D

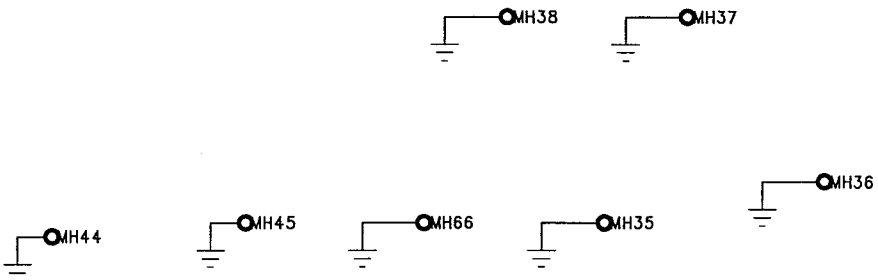
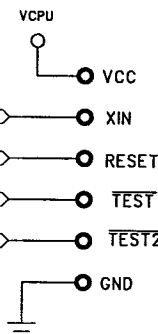
C

B

A

SE00:391

- S00 ○ A0
- S01 ○ A1
- S02 ○ A2
- S03 ○ A3
- S04 ○ A4
- S05 ○ A5
- S06 ○ A6
- S07 ○ A7
- S08 ○ A8
- S09 ○ A9
- S10 ○ A10
- S11 ○ A11
- S12 ○ A12
- S13 ○ A13
- S14 ○ D0
- S15 ○ D1
- S16 ○ D2
- S17 ○ D3
- S18 ○ D4
- S19 ○ D5
- S20 ○ D6
- S21 ○ D7
- S22 ○ D8
- S23 ○ D9
- S24 ○ OEB
- S25 ○ PGMB



TELEFIELD			REV:
DESCRIPTION:			
DRAWN:	DATED:	CHECKED:	DATED:
FILE NAME:	PART NO:	SHEET:	OF

2003/01/10 10:36:31

6

5

4

3

2

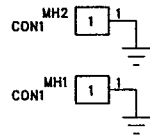
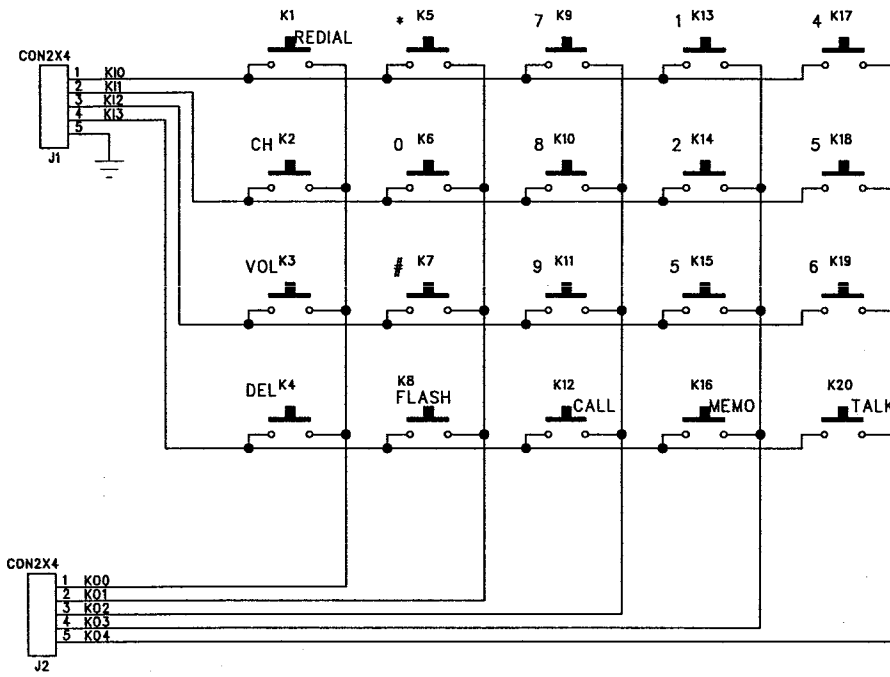
1

D

C

B

A



TELEFIELD			REV:
			0
DESCRIPTION: 854 H/S KEYBOARD			
DRAWN: K.S.CHOW	DATED: SEP 20,2002	CHECKED:	DATED:
FILE NAME: B54HKB00.SCH	PART NO:	SHEET: 1 OF 1	

6

5

4

3

2

1

D

C

B

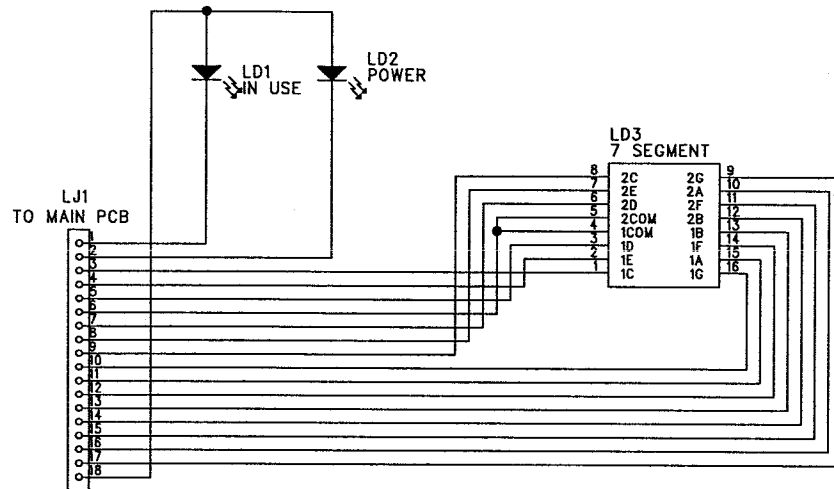
A

D

C

B

A



TELEFIELD				REV:
DESCRIPTION:				
DRAWN:	DATED:	CHECKED:	DATED:	
FILE NAME:	PART NO:	SHEET:	OF	

6

5

4

3

2

1

D

C

B

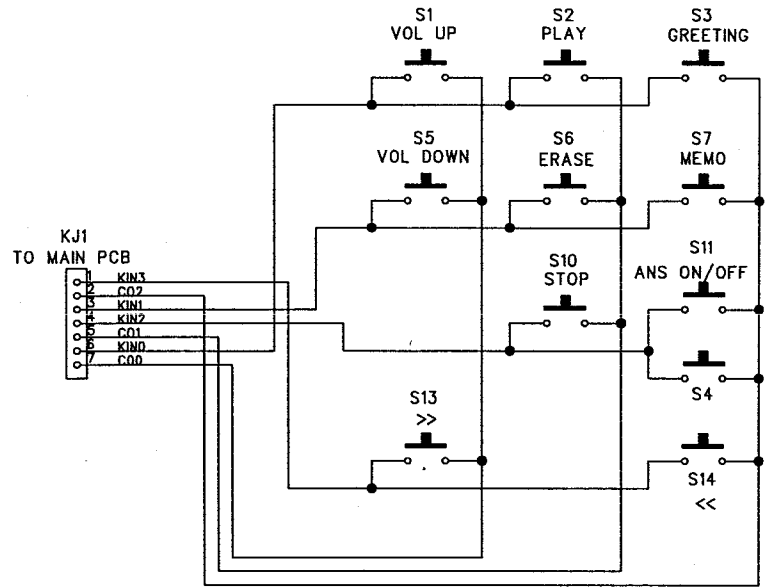
A

D

C

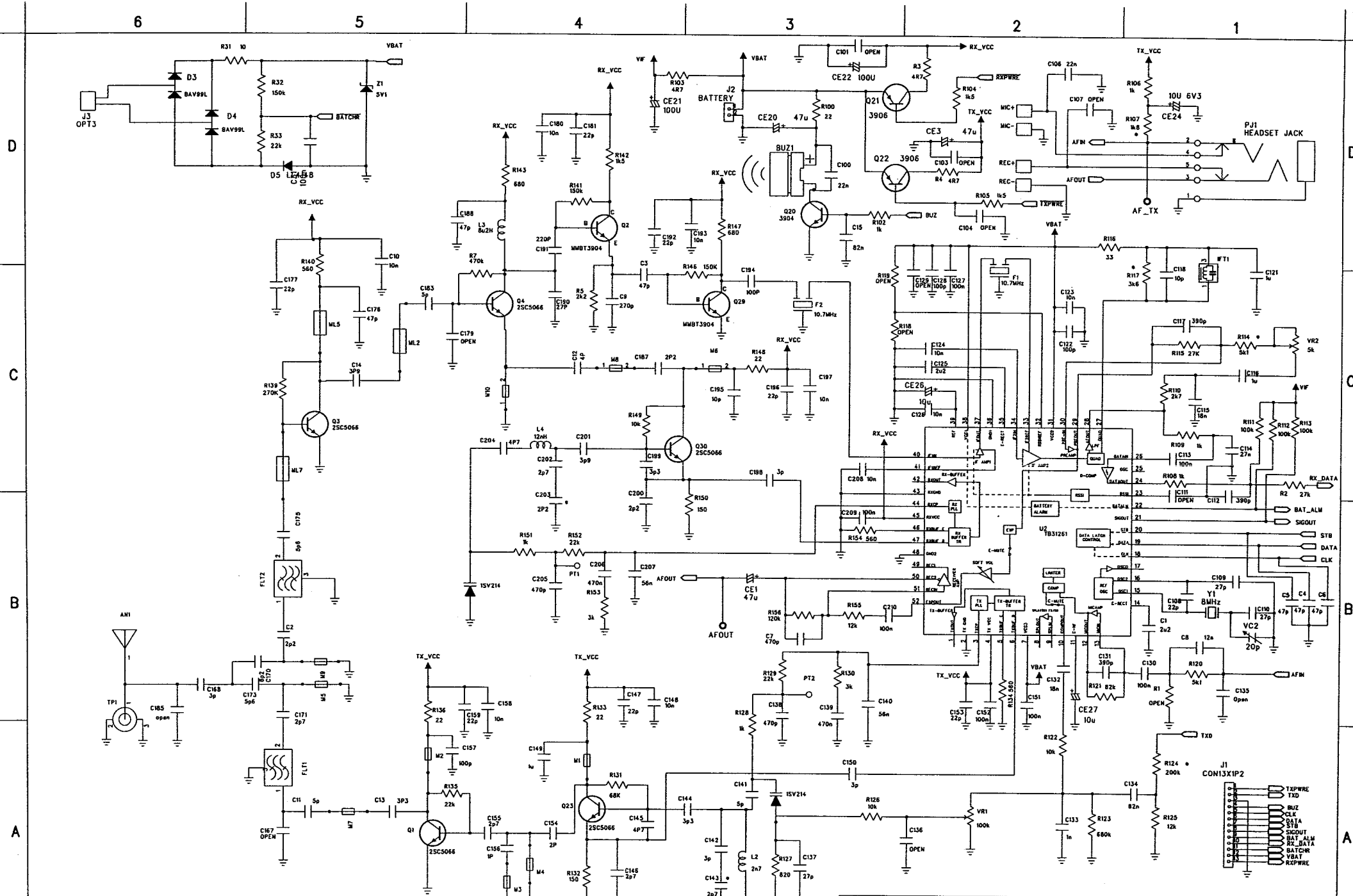
B

A



1 TP1 PAD60

TELEFIELD			REV: 0
DESCRIPTION: 854 H/S KEYBOARD			
DRAWN: K.S.CHOW	DATED: SEP 20, 2002	CHECKED:	DATED:
FILE NAME: 854HKB00.SCH	PART NO:	SHEET: 1 OF 1	



Telefield	TITLE:	DRAWN:	DATE:
	854hr05	Karri Chan	Dec. 2, 02
FILENAME:	CHECKED:	DATE:	DATE:
		SHEET:	OF
		DOC. NO.:	REV.: