



國際電器認證中心有限公司 International Electrical Certification Centre Ltd.

提供電器產品測試國際認證及諮詢服務 Technical Services in Electrical Product Testing, International Certification & Information

Agent of 
Accredited Laboratory

FCC ID: L9G43910T

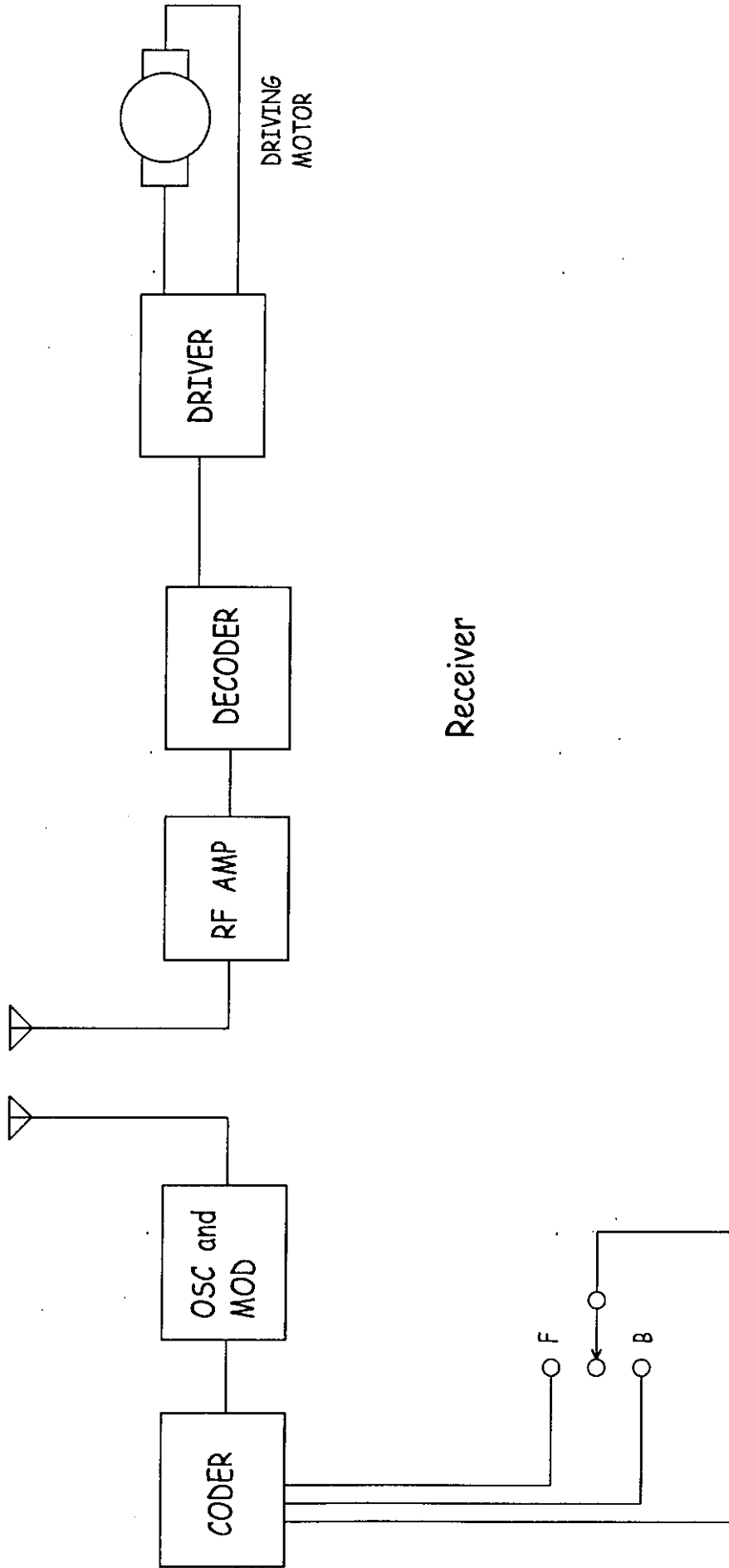
Exhibit 3 - Block Diagram & Schematic Diagram

Head Office

Unit 602 605, 6/F, 31 Lok Yip Road, On Lok Tsuen, Fanling, NT, Hong Kong Tel (852) 2305 2570 Fax (852) 2756 4480

香港新界粉嶺安樂村樂業路31號6樓602 605室 電話 (852) 2305 2570 傳真 (852) 2756 4480

49 MHz
FCC

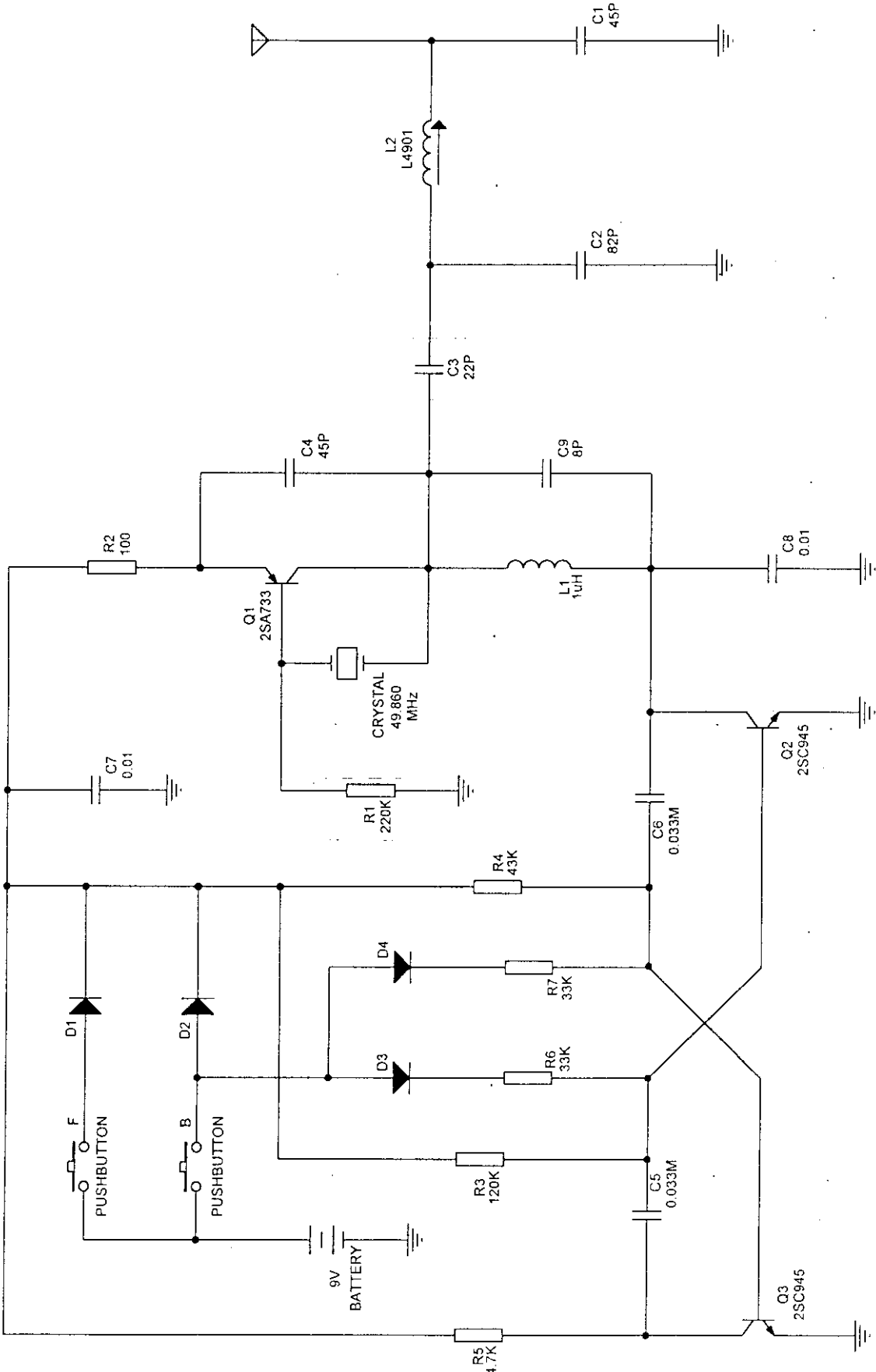


Receiver

Transmitter

No 18060

26 NOV 1998



Title		ARTIN Industrial Co., Ltd.	
Document Number		P/N 3130544-004	
Size	A4	Rev	03
Date		Monday, January 04, 1999	
Sheet		1 of 1	

- Note:
1. D1-----D4 1N4148
 2. All resistance values are indicated in "ohm"
 (kOhm=1,000Ohm ; Mohm=1,000,000 Ohm)
 3. All capacitance values are indicated in "uF"
 (nF=1,000nF ; pF=1,000pF)