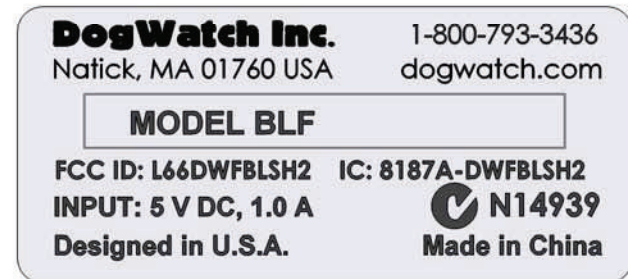
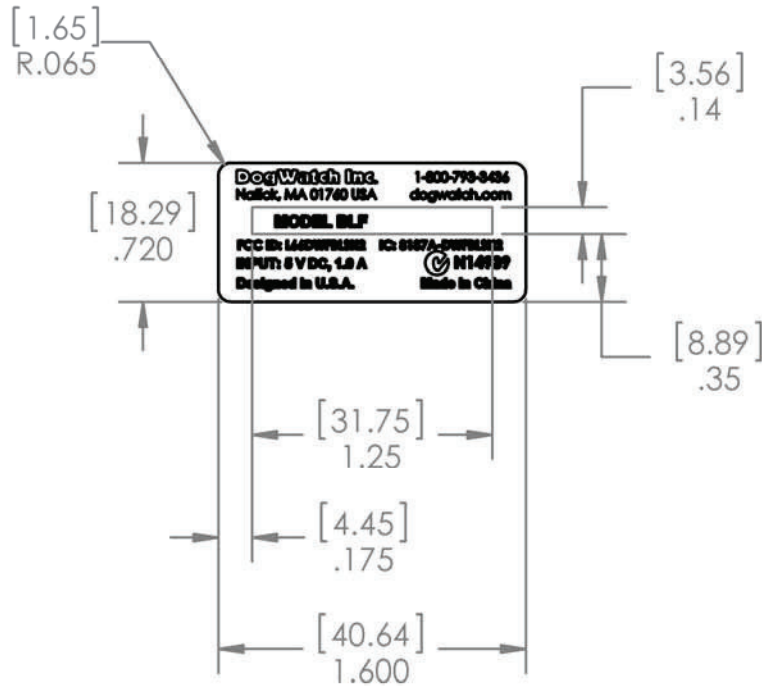


REV	DESCRIPTION	ECN #	DATE	APPROVED
0	ORIGINATE	-	08MAY12	JT MACD
1	-	-	-	-
2	-	-	-	-
-	-	-	-	-
-	-	-	-	-

NOTES:

1. MATERIAL: .003 THICK POLYESTER OR MYLAR WITH ACRYLIC ADHESIVE ONE SIDE WITH LINER, KISS-CUT AND WASTE REMOVED AND ROLLED ON A 3.0 INCH ID CORE.
2. COLORS: BLACK BACKGROUND, SILVER TEXT AND SILVER CENTER RECTANGLE FOR MODEL NUMBER AND SERIAL NUMBER PRINTING.
3. SUGGEST TWO LABELS PER ROW, HORIZONTAL ACROSS WIDTH OF TAPE.
4. PLEASE FORWARD ARTWORK TO DOGWATCH FOR APPROVAL.
5. SAME AS DOGWATCH LABEL# 300462 EXCEPT FCC ID & IC NUMBERS ARE CHANGED.



NOTE 2 (SILVER RECTANGLE)

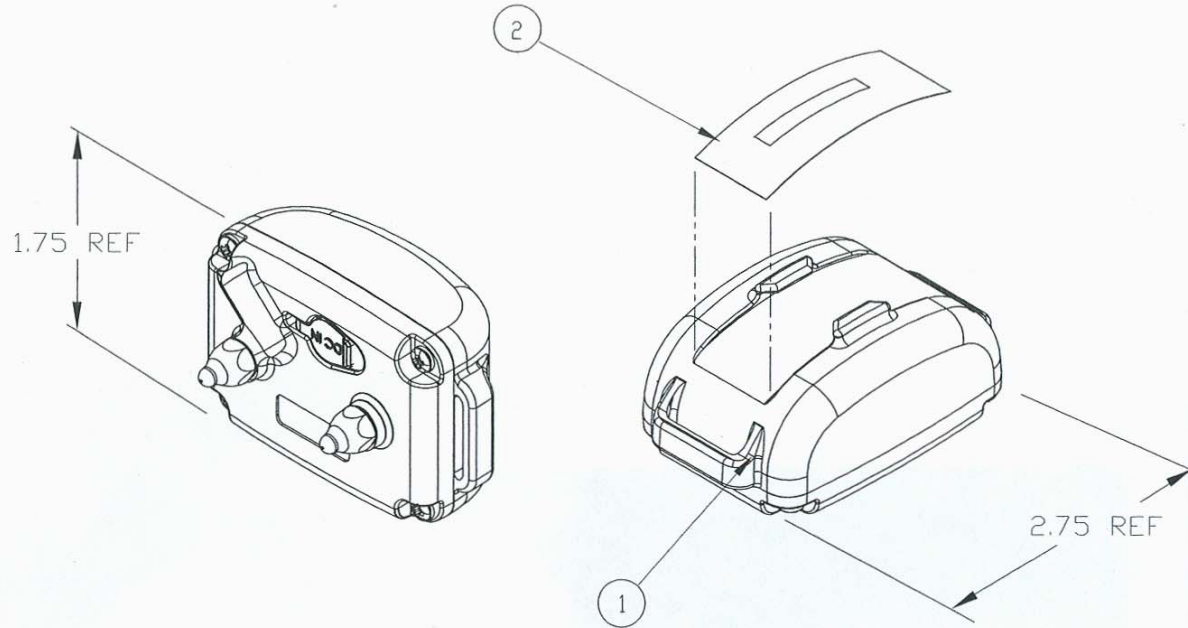


PROPRIETARY AND CONFIDENTIAL
 THE INFORMATION CONTAINED IN THIS DRAWING IS THE SOLE PROPERTY OF DOGWATCH INC. ANY REPRODUCTION IN PART OR AS A WHOLE WITHOUT THE WRITTEN PERMISSION OF DOGWATCH INC IS PROHIBITED.

		UNLESS OTHERWISE SPECIFIED:	NAME	DATE	DogWatch Inc., 10 Michigan Drive, Natick, MA 01760 USA 1-800-793-3436 www.dogwatch.com
		DIMENSIONS ARE IN INCHES TOLERANCES: FRACTIONAL ± ANGULAR: ± 1 DEGREE TWO PLACE DECIMAL ±.02 THREE PLACE DECIMAL ±.005	DRAWN	JTM	08MAY12
		INTERPRET GEOMETRIC TOLERANCING PER:	CHECKED	-	-
		MATERIAL	ENG APPR.	-	-
50371XXX	FIREFLY	FINISH	MFG APPR.	-	-
NEXT ASSY	USED ON		Q.A.	-	-
APPLICATION		DO NOT SCALE DRAWING	COMMENTS:		TITLE: LABEL, SERIAL#, FIREFLY COLLAR
			SIZE	DWG. NO.	REV
			A	300506	0
			NO SCALE	-	SHEET 1 OF 1

50358XXX

REV	DESCRIPTION	ECN #	DATE	APPROVED
0	ORIGINATE, 10-25-10, FG	-		<i>Marko J...</i>



NOTES:

1. REFERENCE DRAWING ONLY.
2. SEE BDM 50358101 FOR ALL ITEMS, PART NUMBERS AND DESCRIPTIONS.
3. COMPLIES WITH RoHS DIRECTIVE 2002-95-EC.

PROPRIETARY AND CONFIDENTIAL
 THE INFORMATION CONTAINED IN THIS
 DRAWING IS THE SOLE PROPERTY OF
 DogWatch Inc. ANY REPRODUCTION
 IN PART OR AS A WHOLE WITHOUT
 THE WRITTEN PERMISSION OF
 DogWatch Inc. IS PROHIBITED.

UNLESS OTHERWISE SPECIFIED		NAME	DATE	DogWatch Inc. 10 MICHIGAN DRIVE, NATICK, MA 01760 USA TEL: 1-800-793-3436	
DIMENSIONS ARE IN INCHES TOLERANCES: FRACTIONAL ± ANGULAR: MAX ± BEND TWO PLACE DECIMAL ± .02 THREE PLACE DECIMAL ± .005		DRAWN	F.G.		25 OCT 10
INTERPRET GEOMETRIC TOLERANCING PER:		CHECKED		TITLE: ASSEMBLY, FINAL COLLAR UNIT TRAINER SR	
MATERIAL		ENG APPR.	<i>FG</i>		DATE: <i>10/25/10</i>
FINISH		MFG APPR.			QA
600672	SYSTEM KIT	COMMENTS:		SIZE DWG. NO.	
NEXT ASSEMBLY	USED ON			B	
APPLICATION		DO NOT SCALE DRAWING		REV	
				50358XXX	
				0	
				SCALE: 1:1	
				SHEET 1 OF 1	