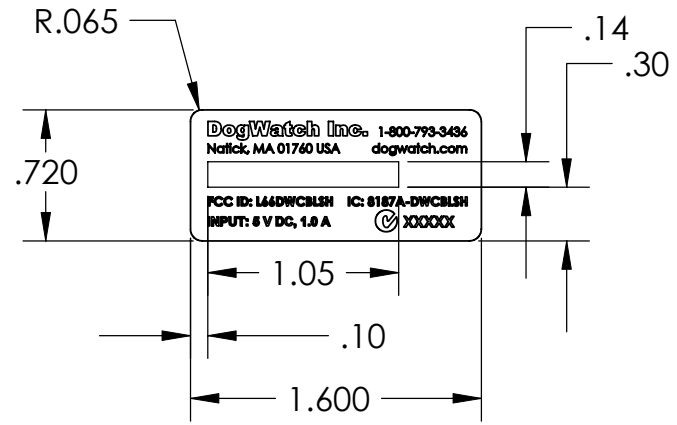


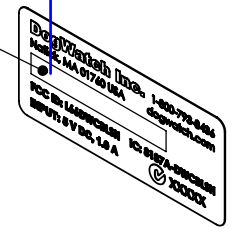
REV	DESCRIPTION	ECN #	DATE	APPROVED
0	ORIGINATE	-	25NOV08	JT MACD
1	CHANGE TEXT AND SILVER RECTANGLE LOCATION	-	25FEB09	JT MACD
2	ADD C-TICK & XXXXX, LENGTHEN RECTANGLE, ADD COLLAR TO TITLE	-	27FEB09	JT MACD
3	CHANGE NOTE 2	-	27MAR09	JT MACD
-	-	-	-	-

NOTES:

1. MATERIAL: .003 THICK POLYESTER OR MYLAR WITH ACRYLIC ADHESIVE ONE SIDE WITH LINER, KISS-CUT AND WASTE REMOVED AND ROLLED ON A 3.0 INCH ID CORE.
2. COLORS: BLACK BACKGROUND, SILVER TEXT AND SILVER CENTER RECTANGLE FOR MODEL NUMBER AND SERIAL NUMBER PRINTING.
3. SUGGEST TWO LABELS PER ROW, HORIZONTAL ACROSS WIDTH OF TAPE.
4. PLEASE FORWARD ARTWORK TO DOGWATCH FOR APPROVAL.



NOTE 2 (SILVER RECTANGLE)

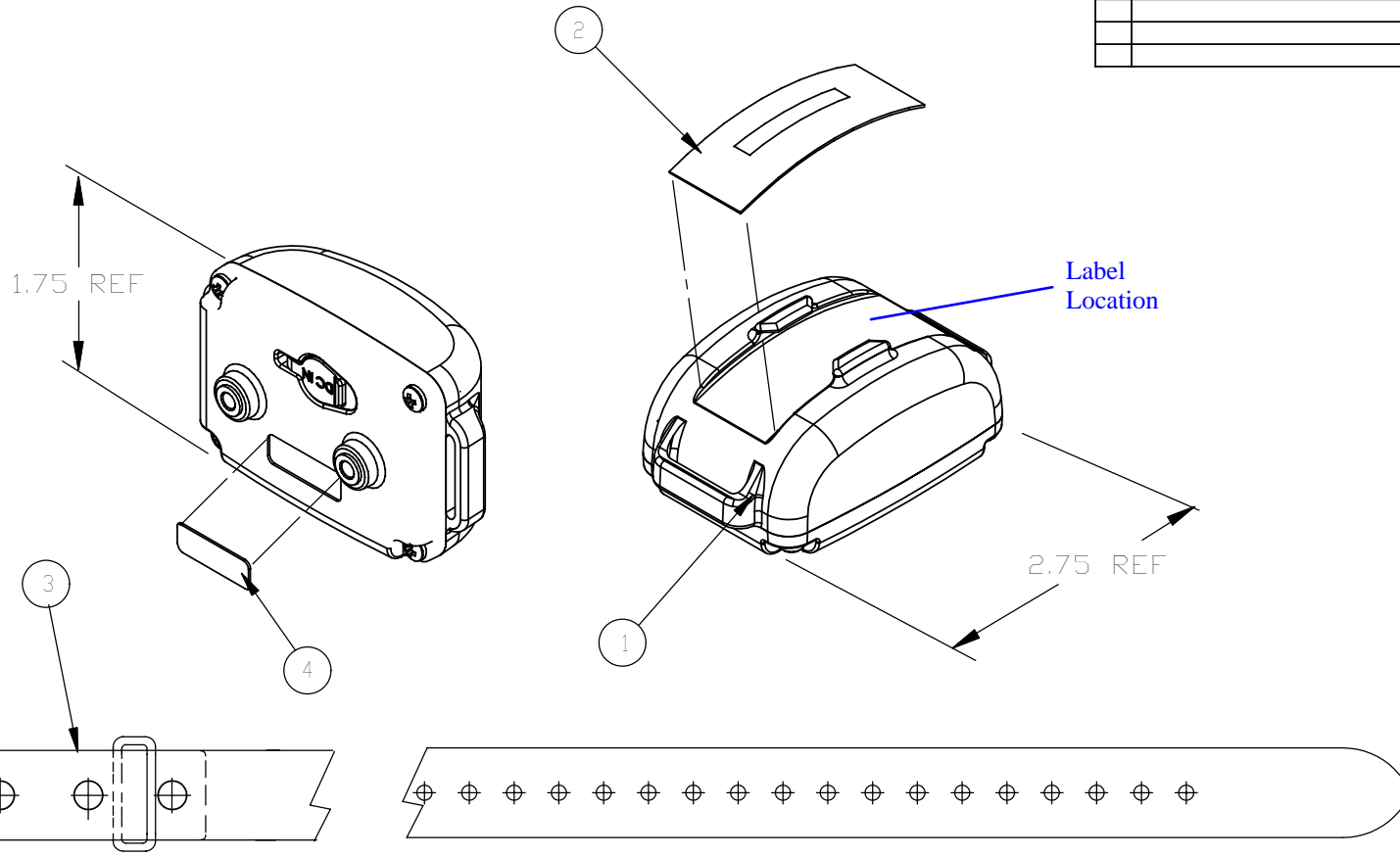


PROPRIETARY AND CONFIDENTIAL
 THE INFORMATION CONTAINED IN THIS DRAWING IS THE SOLE PROPERTY OF DOGWATCH INC. ANY REPRODUCTION IN PART OR AS A WHOLE WITHOUT THE WRITTEN PERMISSION OF DOGWATCH INC IS PROHIBITED.

		UNLESS OTHERWISE SPECIFIED:	NAME	DATE	DogWatch Inc., 10 Michigan Drive, Natick, MA 01760 USA 1-800-793-3436 www.dogwatch.com	
		DIMENSIONS ARE IN INCHES	DRAWN	JTM	25NOV08	TITLE: LABEL, SERIAL #, COLLAR, TRAINER
		TOLERANCES:	CHECKED			
		FRACTIONAL ±	ENG APPR.			
		ANGULAR: ± 1 DEGREE	MFG APPR.			
		TWO PLACE DECIMAL ±.02	Q.A.			SIZE DWG. NO. REV
		THREE PLACE DECIMAL ±.005	COMMENTS:			A 300427 3
		INTERPRET GEOMETRIC TOLERANCING PER:			SCALE: NO	WEIGHT:
		MATERIAL			SHEET 1 OF 1	
NEXT ASSY	USED ON	FINISH				
APPLICATION		DO NOT SCALE DRAWING				

50326XXX

REV	DESCRIPTION	ECN #	DATE	APPROVE
0	ORIGINATE, 1-30-09, FG	-		
1	ADD ITEM 4	-		



NOTES:

1. REFERENCE DRAWING ONLY. ITEMS 1 AND 3 SHOWN UN-ASSEMBLED.
2. SEE BOM 50326000 FOR ALL ITEMS, PART NUMBERS AND DESCRIPTIONS.
3. COMPLIES WITH RoHS DIRECTIVE 2002-95-EC.

PROPRIETARY AND CONFIDENTIAL
 THE INFORMATION CONTAINED IN THIS
 DRAWING IS THE SOLE PROPERTY OF
 DogWatch Inc. ANY REPRODUCTION
 IN PART OR AS A WHOLE WITHOUT
 THE WRITTEN PERMISSION OF
 DogWatch Inc. IS PROHIBITED.

		UNLESS OTHERWISE SPECIFIED	NAME	DATE	DogWatch Inc. 10 MICHIGAN DRIVE, NATIEK, MA 01760 USA TEL: 1-800-793-3656	
		DIMENSIONS ARE IN INCHES	DRAWN	JT MACD		DOCTOR
		TOLERANCES: FRACTIONAL ± ANGULAR: MACH ± BEND TWO PLACE DECIMAL ± .02 THREE PLACE DECIMAL ± .005	CHECKED			
		INTERPRET GEOMETRIC TOLERANCING PER	ENG APPR.			
600660	TRAINER KIT	MATERIAL SEE NOTES	MFG APPR.			
NEXT ASSEMBLY	USED ON	FINISH SEE NOTES	QA			
APPLICATION		DO NOT SCALE DRAWING	COMMENTS:			
					TITLE: ASSEMBLY, FINAL COLLAR	
					SIZE DWG. NO. B 50326XXX	
					REV 1	
					SCALE: 1:1	
					SHEET 1 OF 1	