

6

5

4

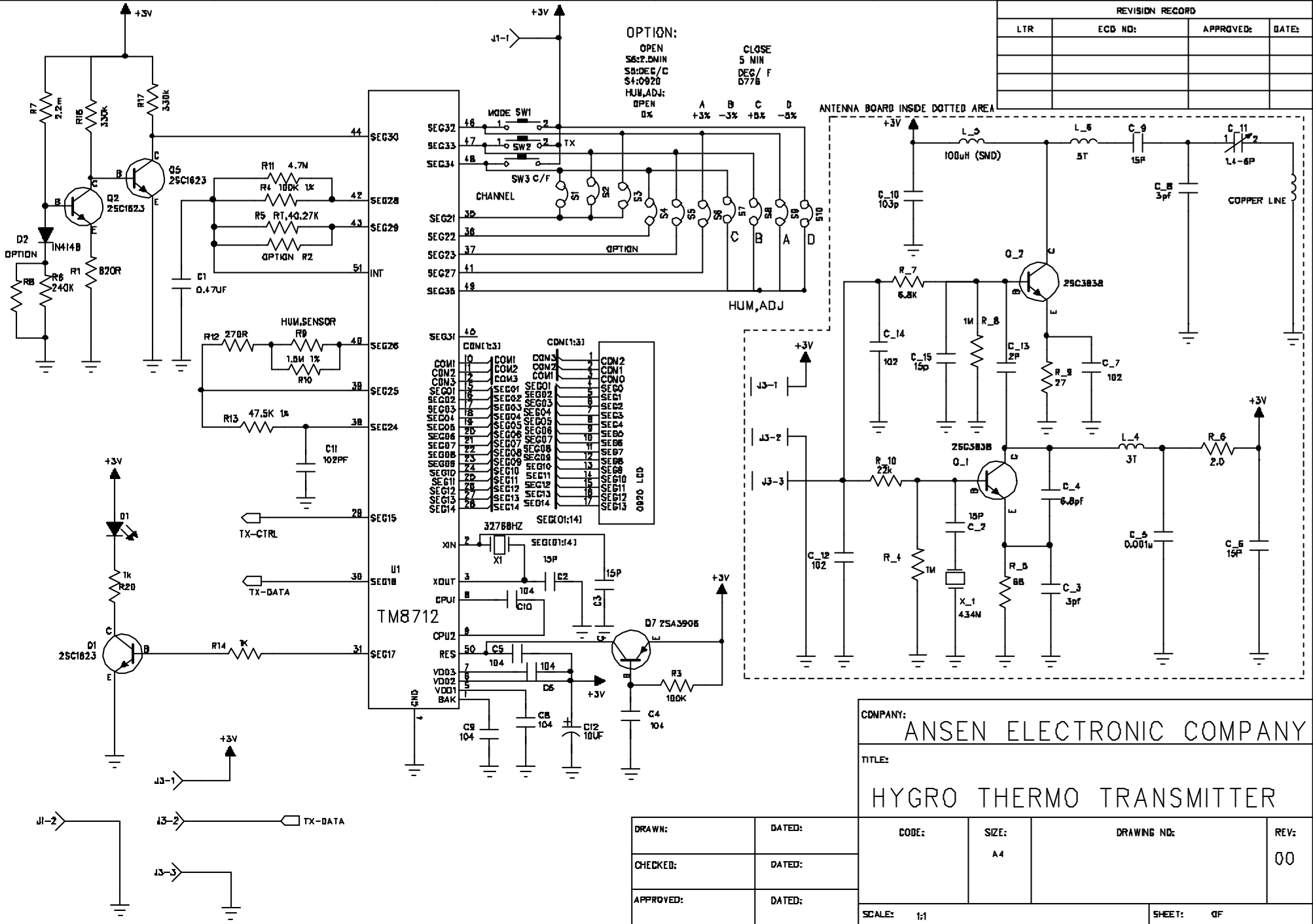
3

2

1

REVISION RECORD			
LTR	ECD NO:	APPROVED:	DATE:

OPTION:
 OPEN
 S&S:2.DMIN
 S&S:DEG/C
 S4:0920
 HUM,ADJ:
 OPEN 0%
 CLOSE
 5 MIN
 DEG/ F
 D778



COMPANY: ANSEN ELECTRONIC COMPANY

TITLE: HYGRO THERMO TRANSMITTER

DRAWN:	DATED:	CODE:	SIZE: A4	DRAWING NO:	REV: 00
CHECKED:	DATED:				
APPROVED:	DATED:	SCALE: 1:1		SHEET: 01F	