

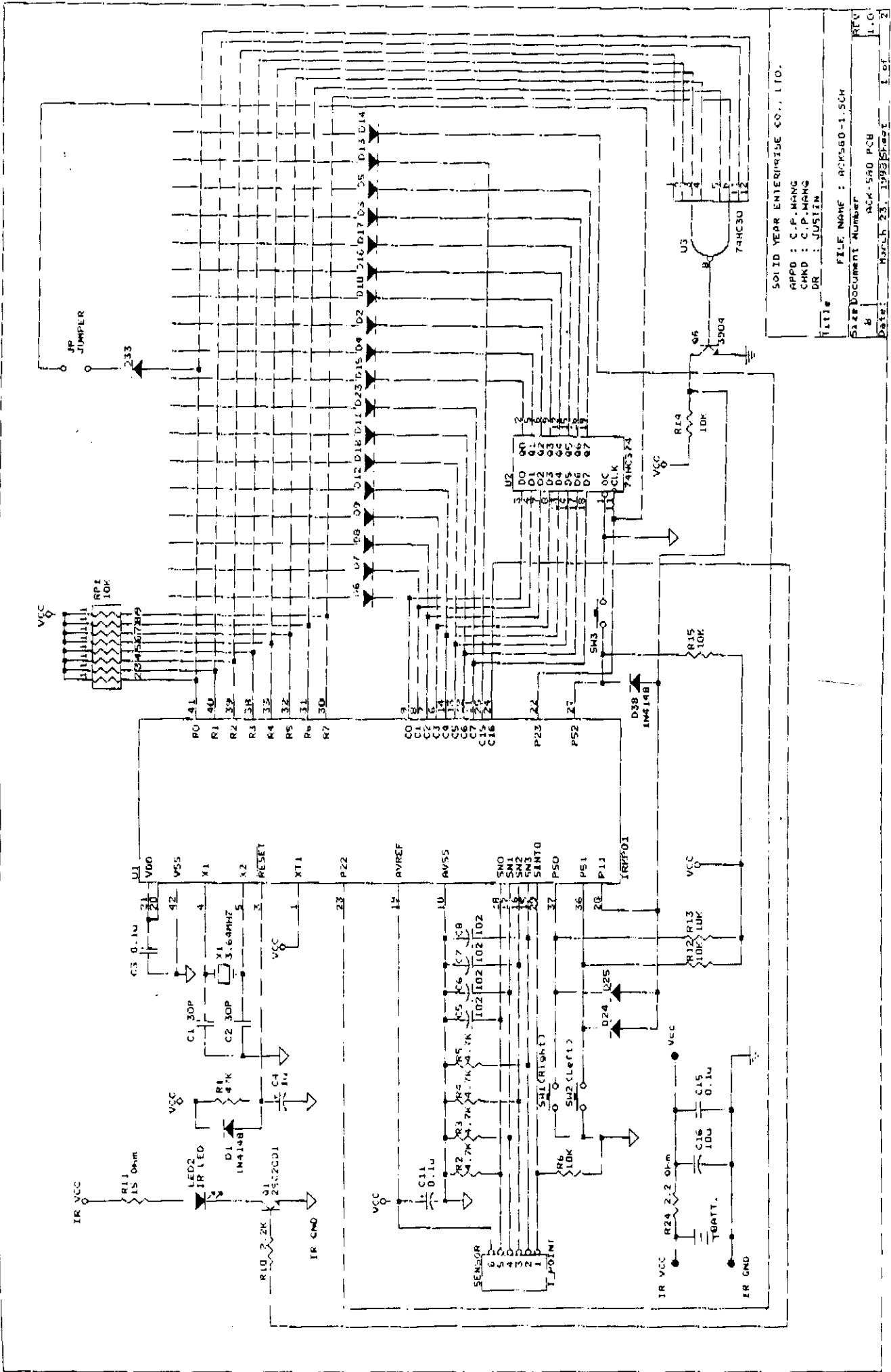


MAX LIGHT

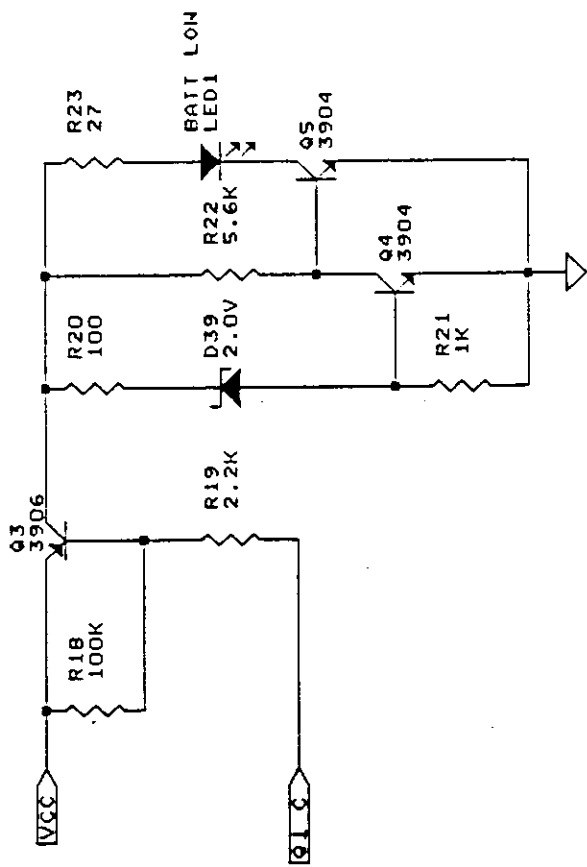
EXHIBIT D

Circuit Diagram





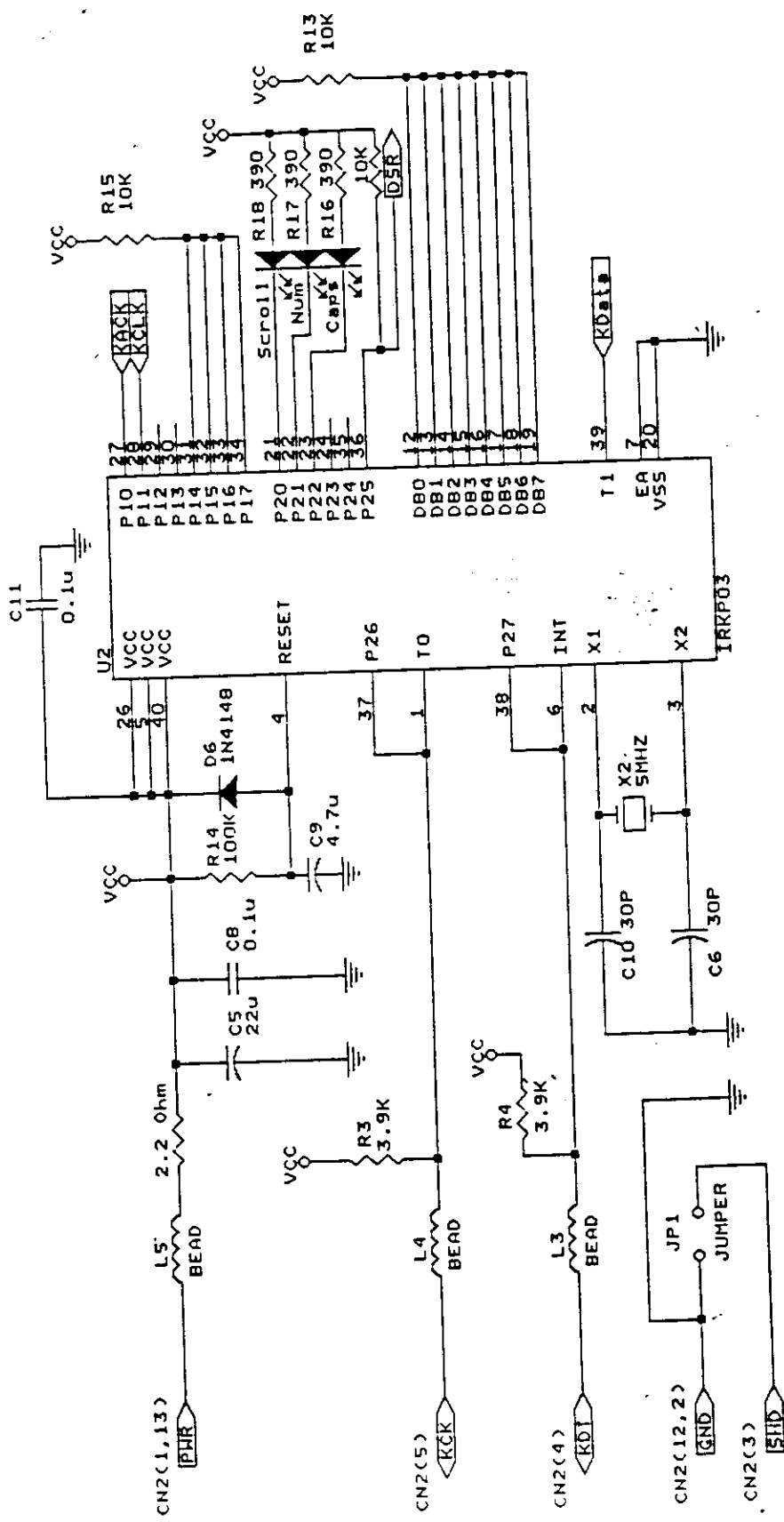
SOLID YEAR ENTERPRISE CO., LTD.
 APPD : C.P. WANG
 CHND : C.P. WANG
 DR : JUSTIN
 FILE NAME : ACK560-1.SCH
 SIZE DOCUMENT NUMBER :
 REV :
 DATE :
 1 of 2



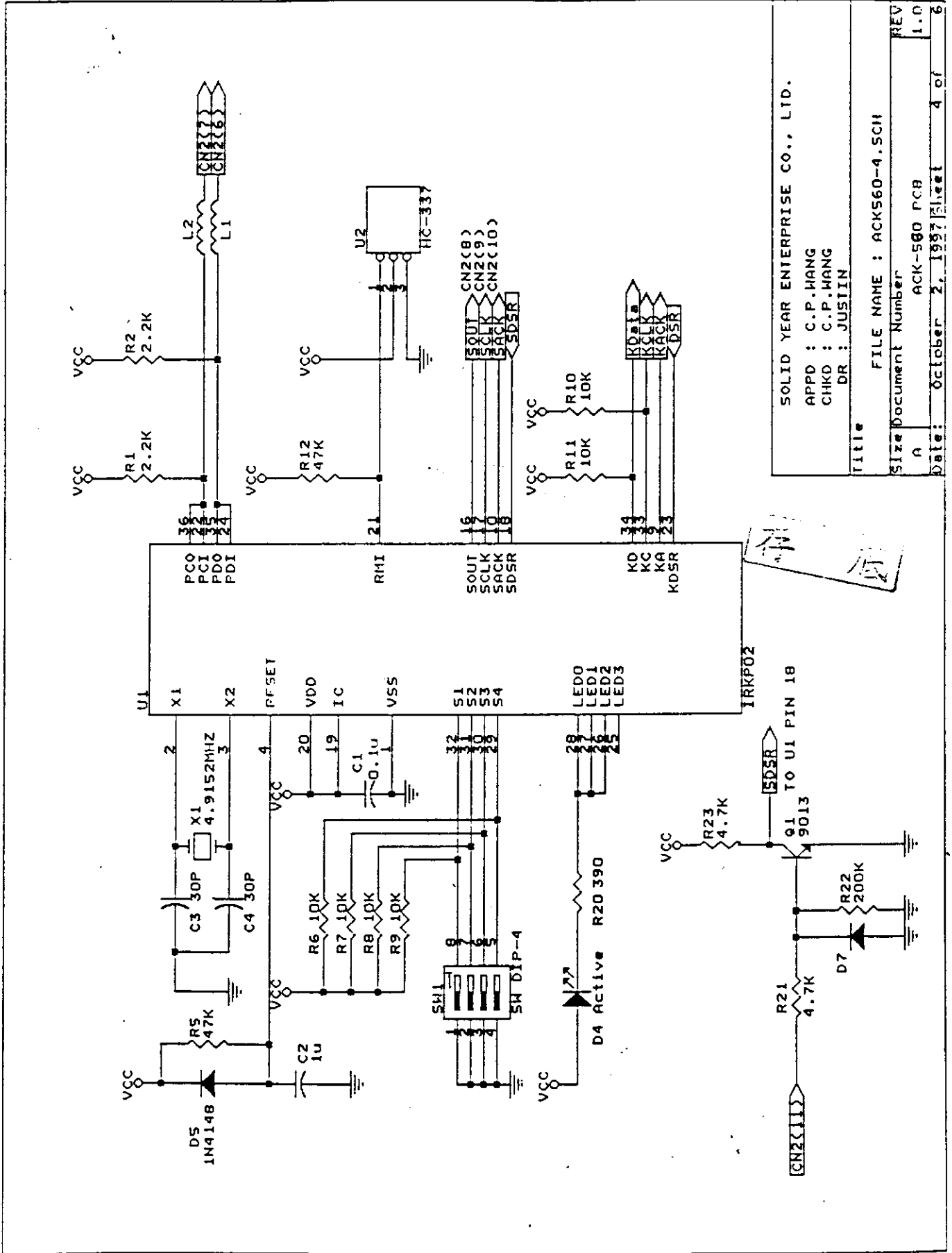
存 展

SLID YEAR ENTERPRISE CO., LTD
 APPD : C.P.WANG
 CHKD : C.P.WANG
 DR : JUSTIN

Title	FILE NAME : ACK560-2.SCH.SCH
Size	Document Number
A	ACK-560 PCB
Date:	October 2, 1997
Sheet	2 of 6
REV	1.0



SOLID YEAR ENTERPRISE CO., LID.	
APPD : C.P.HANG	REV
CHKD : C.P.HANG	1.0
DR : JUSTIN	
Title	FILE NAME : ACK560-3.5CH
Size	Document Number
A	ACK-580 PCB
Date	October 6, 1997
Sheet	3 of 6



SOLID YEAR ENTERPRISE CO., LTD.

APPD : C.P.WANG
 CHKD : C.P.WANG
 DR : JUSTIN

FILE NAME : ACK560-4.5CN

Size Document Number

ACK-560 PCB

REV 1.0

Date: October 2, 1997 Sheet 4 of 6