

CE DOCUMENT EST LA PROPRIETE DE THOMSON-CSF. IL NE PEUT ETRE NI REPRODUIT, NI COMMUNIQUE A DES TIERS SANS AUTORISATION ECRITE D'UNE PERSONNE MANDATEE SPECIALEMENT A CET EFFET PAR LADITE SOCIETE.

THIS DOCUMENT IS THE PROPERTY OF THOMSON-CSF. IT SHALL NOT BE REPRODUCED OR TRANSMITTED TO A THIRD PARTY WITHOUT PRIOR WRITTEN CONSENT OF THE SAID COMPANYY.

ORDRE D'EVOLUTION					ARCHIVAGE		
NUMERO DE L'OE	DATE	FOLIO(S) MODIFIE(S)	NOUVEL INDICE	OPERATEUR	NUMERO DE L'ARCHIVE	DATE	OPERATEUR

MATERIEL=EV R 716/750

DRAWING RECEIVER LAST\_MODIFIED=Mon Nov 26 12:10:00 2001

IND	ORDRE EVOL. CHANGE ORDER	DATE	IND	ORDRE EVOL. CHANGE ORDER	DATE	IND	ORDRE EVOL. CHANGE ORDER	DATE
AA	CREATION	26/11/01						

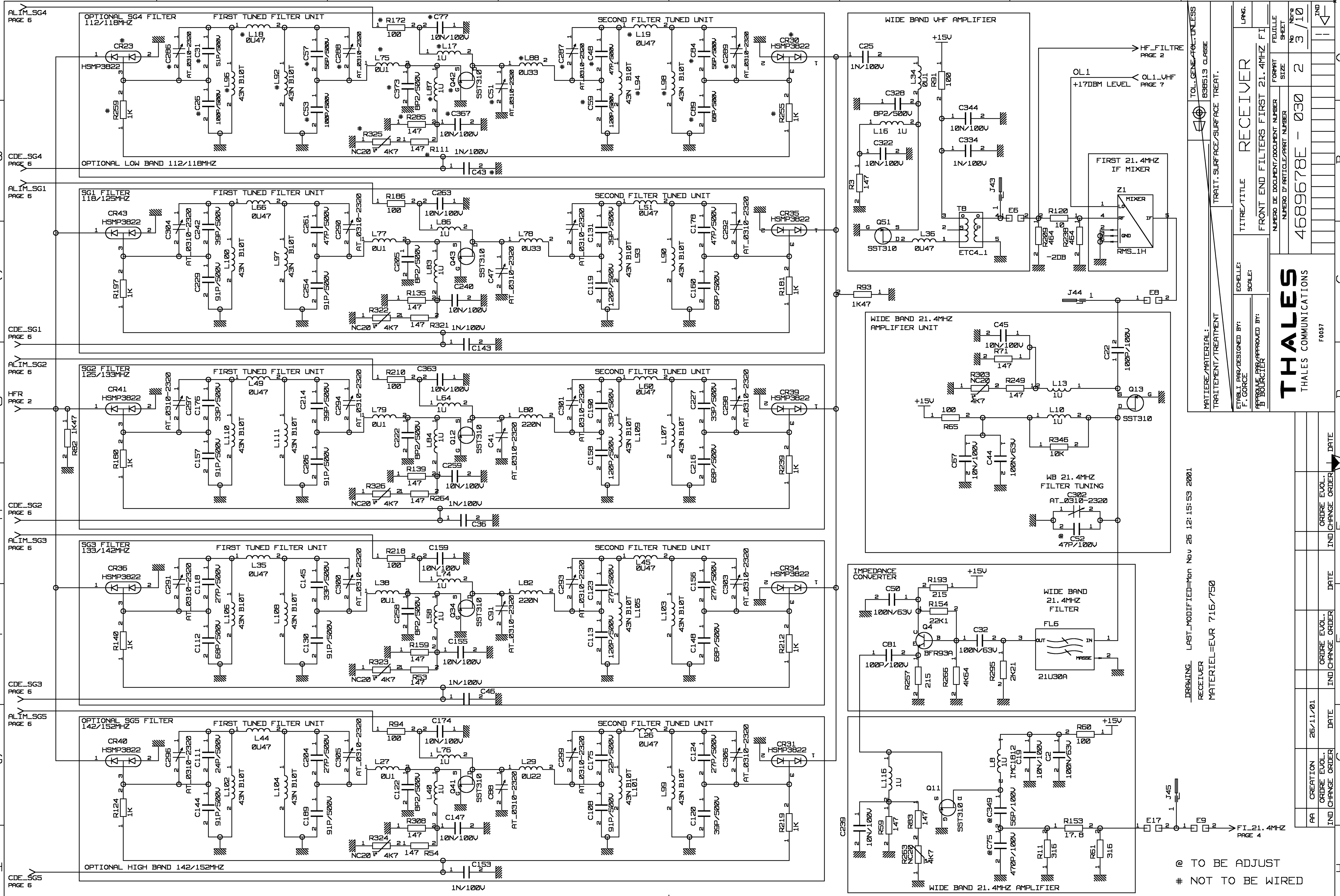
MATERIE/MATERIAL: _____		TOL. GENE/TOL. UNLESS 838513 CLASSE	
TRAITEMENT/TREATMENT _____		TRAIT. SURFACE/SURFACE TREAT. _____	
ETABLI PAR/DESIGNED BY: GORCE	ECHELLE: SCALE:	TITRE/TITLE RECEIVER	LANG.
APPROUVE PAR/APPROVED BY: B BOURCIER			

**THALES**  
THALES COMMUNICATIONS

NUMERO DE DOCUMENT/DOCUMENT NUMBER		FORMAT SIZE	FEUILLE SHEET	
NUMERO D'ARTICLE/PART NUMBER	TYPE		No	Nbre
4689678E	030	3	1	10

IND ←





DRAWING LAST\_MODIFIED=Mon Nov 26 12:15:53 2001  
 RECEIVER  
 MATERIEL=EUR 716/750

MATIERE/MATERIAL: TOL. GENE./POL. UNLESS  
 TRAITEMENT/TREATMENT: BS8513 CLASSE  
 TRAIT. SURFACE/SURFACE TREAT.

ETABLI PAR/DESIGNED BY: F. GORCE  
 APPROUVE PAR/APPROVED BY: B. BOULANGER

RECEIVER  
 FRONT END FILTERS FIRST 21.4MHz FI  
 THALES COMMUNICATIONS  
 4689678E - 030

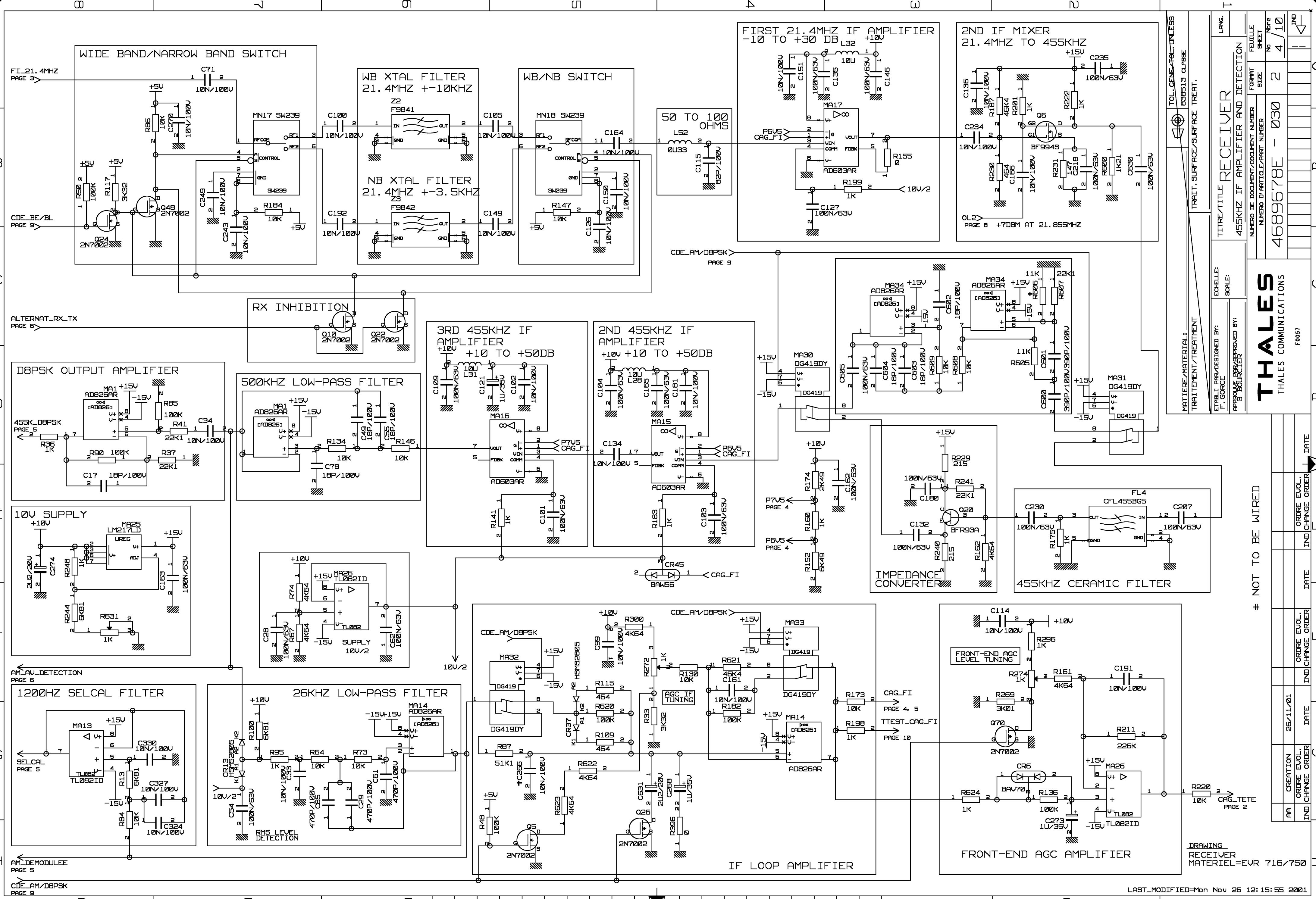
AA	CREATION ORDRE EVOL. IND. CHANGE ORDER	DATE	IND. CHANGE ORDER	DATE	IND. CHANGE ORDER
		26/11/01			

@ TO BE ADJUST  
 # NOT TO BE WIRED

ALIM\_SG4 PAGE 6  
 CDE\_SG4 PAGE 6  
 ALIM\_SG1 PAGE 6  
 CDE\_SG1 PAGE 6  
 ALIM\_SG2 PAGE 6  
 HFR PAGE 2  
 CDE\_SG2 PAGE 6  
 ALIM\_SG3 PAGE 6  
 CDE\_SG3 PAGE 6  
 ALIM\_SG5 PAGE 6  
 CDE\_SG5 PAGE 6

LANG. FEUILLE  
 RECEIVER  
 FRONT END FILTERS FIRST 21.4MHz FI  
 N° DE FORMAT  
 2 3/10

F0057



**TITRE/TITLE** RECEIVER  
**455KHZ IF AMPLIFIER AND DETECTION**

**NUMERO DE DOCUMENT/DOCUMENT NUMBER** 4689678E - 030  
**FEUILLE SHEET** 2 / 10

**LANG.** FRENCH

**ETABLI PAR/DESIGNED BY:** F. GORCE  
**APPROUVE PAR/APPROVED BY:** B. BOULARDIER

**ECHELLE: SCALE:**

**MATIERE/MATERIAL:** TRAITEMENT/TREATMENT: BSB513 CLASSE  
 TRAIT. SURFACE/SURFACE TREAT.

**THALES**  
 THALES COMMUNICATIONS  
 F0057

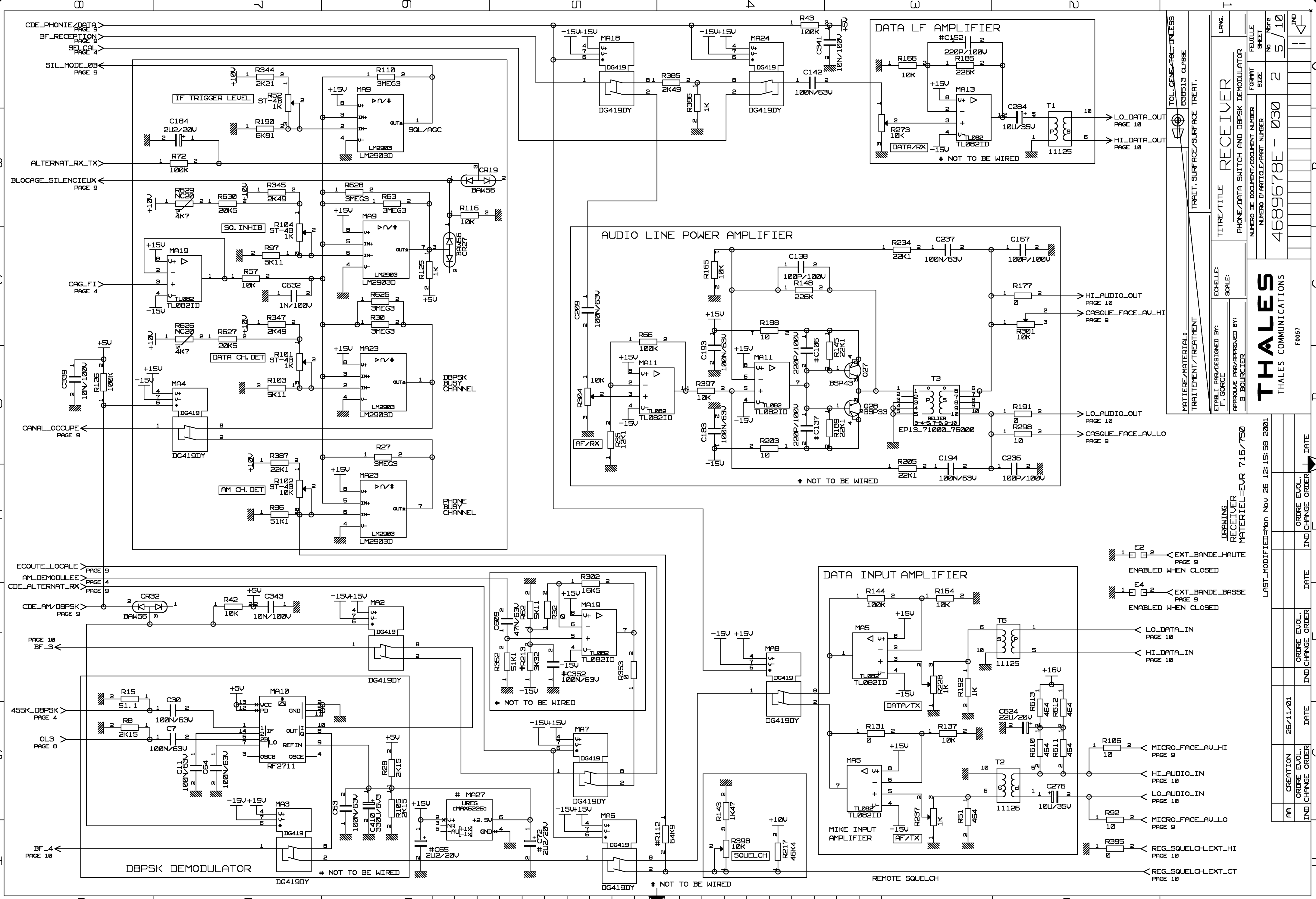
# NOT TO BE WIRED

IND	CHANGE ORDER	DATE	IND	CHANGE ORDER	DATE	IND	CHANGE ORDER	DATE
AA		25/11/01						

**DRAWING RECIPIENT:** MATERIEL-EVR 716/750  
**IND**

LAST\_MODIFIED=Mon Nov 26 12:15:55 2001

THIS DOCUMENT IS THE PROPERTY OF THOMSON-CSF. IT SHALL NOT BE REPRODUCED OR TRANSMITTED TO A THIRD PARTY WITHOUT PRIOR WRITTEN CONSENT OF THE SAID COMPANY. Ce document est la propriété de la société THOMSON-CSF. Il ne peut être ni reproduit ni communiqué à des tiers sans autorisation écrite d'une personne mandatée spécialement à cet effet par ladite société.



MATERIE/MATERIAL: TRAITEMENT/TREATMENT		LANG. FR.	
TRAITEMENT/TREATMENT		RECEIVER	
ETABLI PAR/DESIGNED BY: F. GORCE		ECHELLE/SCALE:	
APPROUVE PAR/APPROVED BY: B. BOLLICIER		TITRE/TITLE: PHONE/DATA SWITCH AND DBPSK DEMODULATOR	
NUMERO DE DOCUMENT/DOCUMENT NUMBER		FEUILLE SHEET	
NUMERO D'ARTICLE/PART NUMBER		FORMAT SIZE	
4689678E - 030		2 5 / 10	
THALES COMMUNICATIONS		F0057	

DRAWING RECEIVER MATERIEL=EUR 716/750		LAST_MODIFIED=Mon Nov 26 12:15:58 2001	
AA	CREATION	26/11/01	DATE
	ORDRE EVOL.		IND.CHANGE ORDER
	IND.CHANGE ORDER		DATE
	ORDRE EVOL.		IND.CHANGE ORDER
	IND.CHANGE ORDER		DATE

THIS DOCUMENT IS THE PROPERTY OF THOMSON-CSF. IT SHALL NOT BE REPRODUCED OR TRANSMITTED TO A THIRD PARTY WITHOUT PRIOR WRITTEN CONSENT OF THE SAID COMPANY. Ce document est la propriété de la société THOMSON-CSF. Il ne peut être ni reproduit, ni communiqué à des tiers sans autorisation écrite d'une personne mandatée spécialement à cet effet par ladite société.

CDE\_ALTERNAT\_RX  
PAGE 6

AMLAV\_DETECTION  
PAGE 4

STROBE\_FILTRE\_REC  
PAGE 9

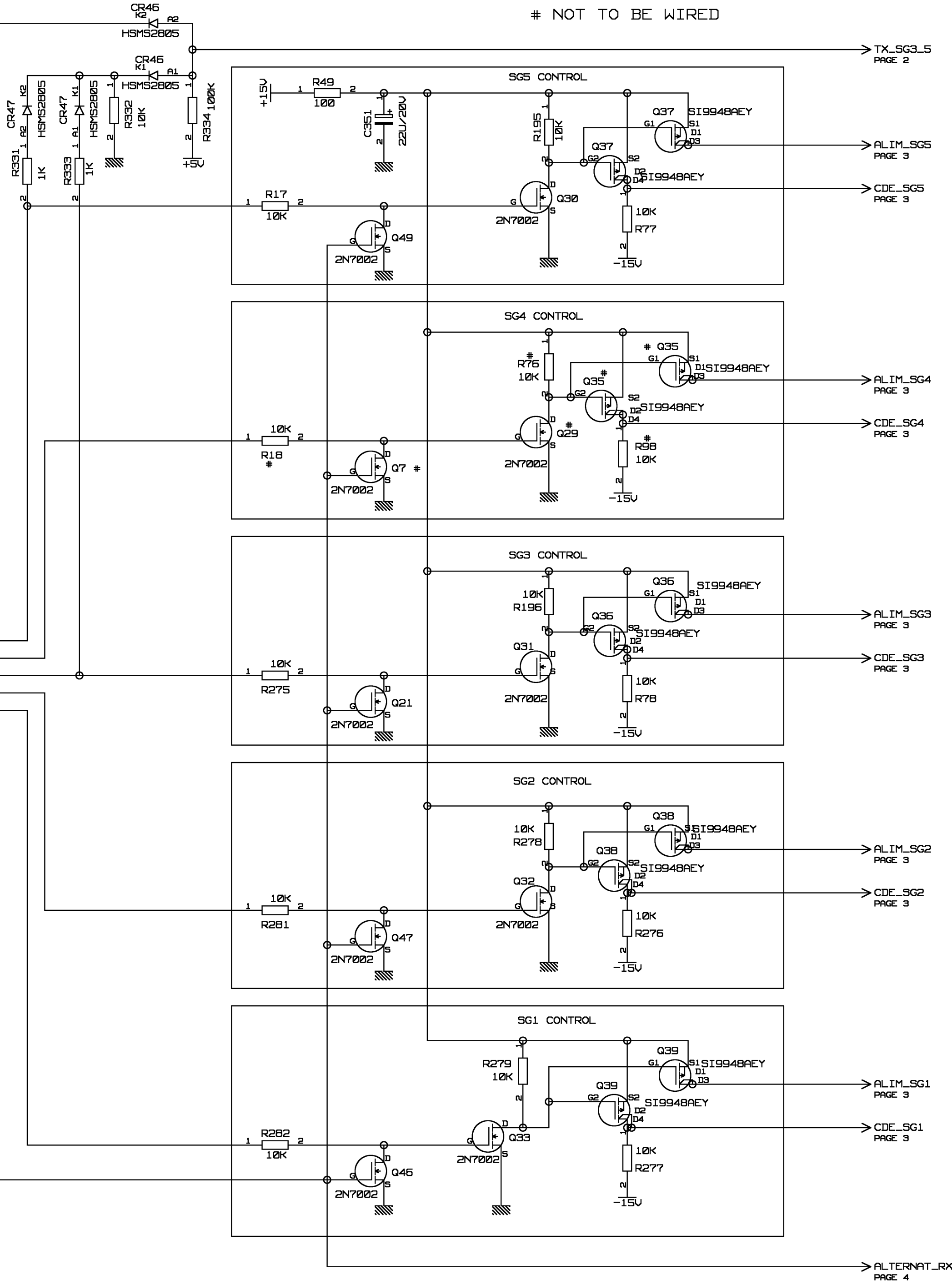
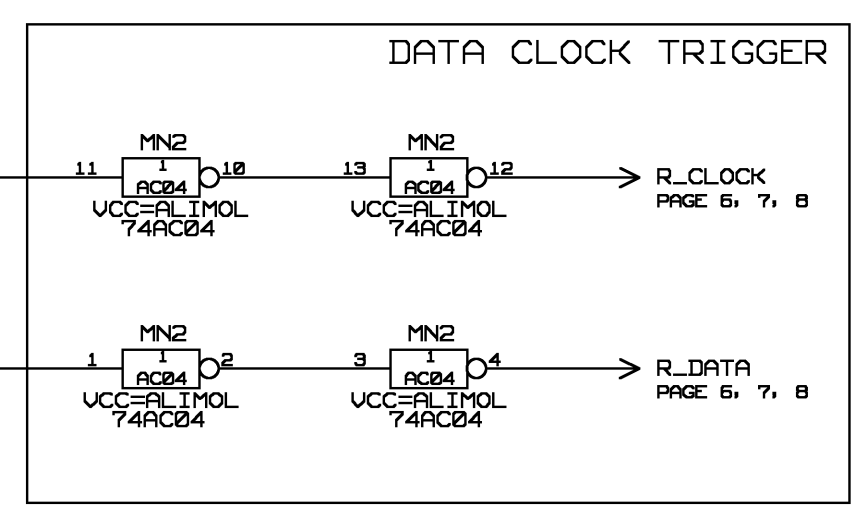
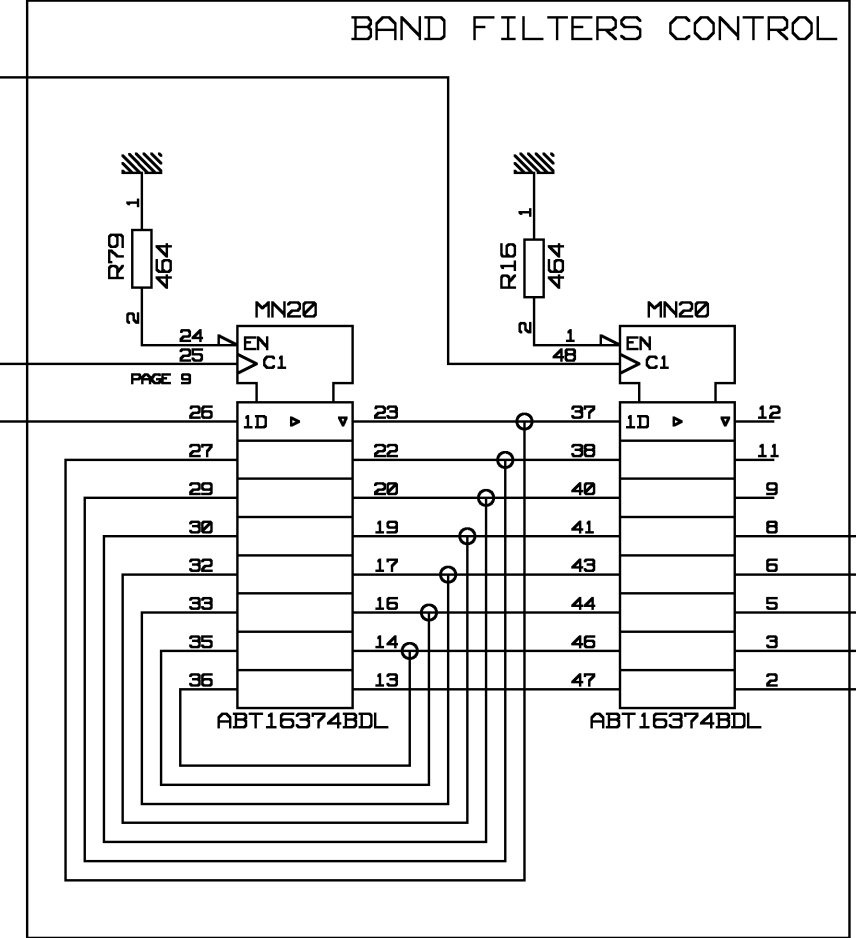
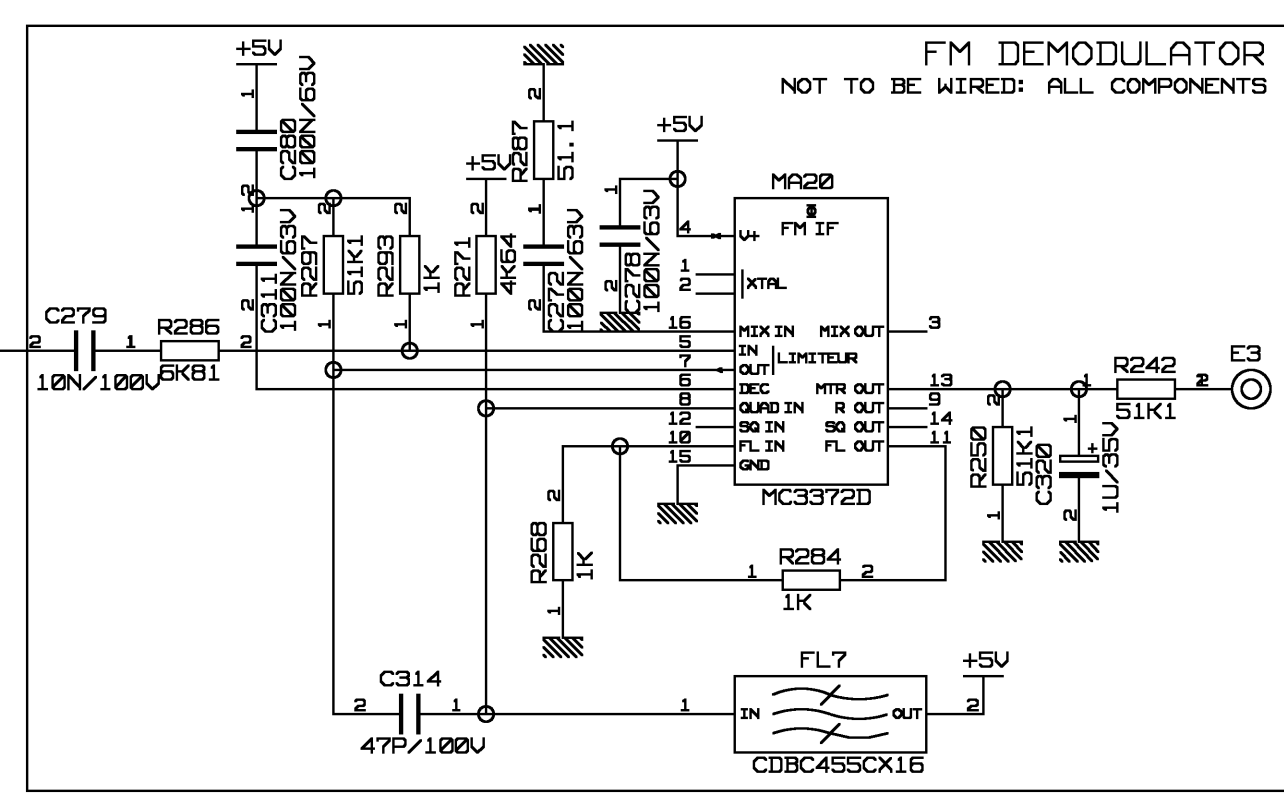
R\_CLOCK  
PAGE 6

R\_DATA  
PAGE 6

CLOCK  
PAGE 9

DATA  
PAGE 9

CDE\_ALTERNAT\_RX  
PAGE 6, 9



MATIERE/MATERIAL: TRAITEMENT/TREATMENT: TOL. GENERATION: UNLESS BSB513 CLASSE TRAIT. SURFACE/SURFACE TREAT.

ETABLI PAR/DESIGNED BY: F. GORCE  
APPROUVE PAR/APPROVED BY: J. BOUSSICIER

TITRE/TITLE: RECEIVER  
COMMANDE BAND FILTER

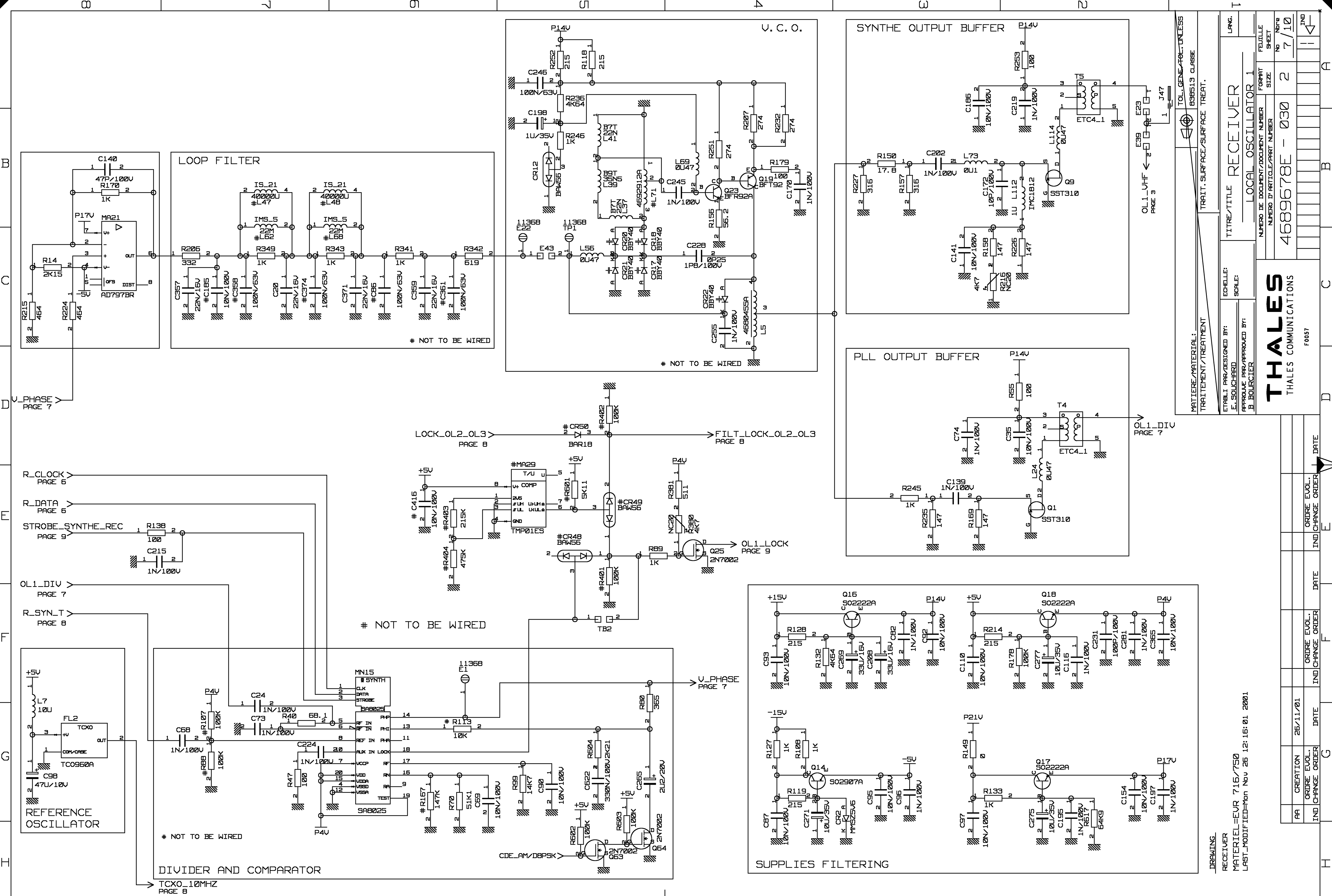
NUMERO DE DOCUMENT/DOCUMENT NUMBER: 4689678E - 030  
FEUILLE SHEET: 2  
NUMERO DE FEUILLE/PART NUMBER: 6/10

THALES  
THALES COMMUNICATIONS  
F0057

DRAWING: RECEIVER  
MATERIEL=EUR 716/750

LAST\_MODIFIED=Mon Nov 26 12:15:59 2001

IND	CHANGE ORDER	DATE	IND	CHANGE ORDER	DATE
AA	CREATION	26/11/01		ORDRE EVOL.	
	IND			IND	



MATIERE/MATERIAL: TRAITEMENT/TREATMENT: TOL. GENERATION: UNLESS BSB513 CLASSE

ETABLI PAR/DESIGNED BY: E. SOUCHARD

APPROUVE PAR/APPROVED BY: B. BOURCIER

RECEIVER LOCAL OSCILLATOR 1

NUMERO DE DOCUMENT/DOCUMENT NUMBER: 4689678E - 030

FEUILLE SHEET: 7/10

TRAIT. SURFACE/SURFACE TREAT.

THALES THALES COMMUNICATIONS F0057

IND. CHANGE ORDER	DATE	IND. CHANGE ORDER	DATE	IND. CHANGE ORDER	DATE
AA	26/11/01				

RECEIVER MATERIEL=EUR 715/750 LAST\_MODIFIED=Mon Nov 26 12:16:01 2001

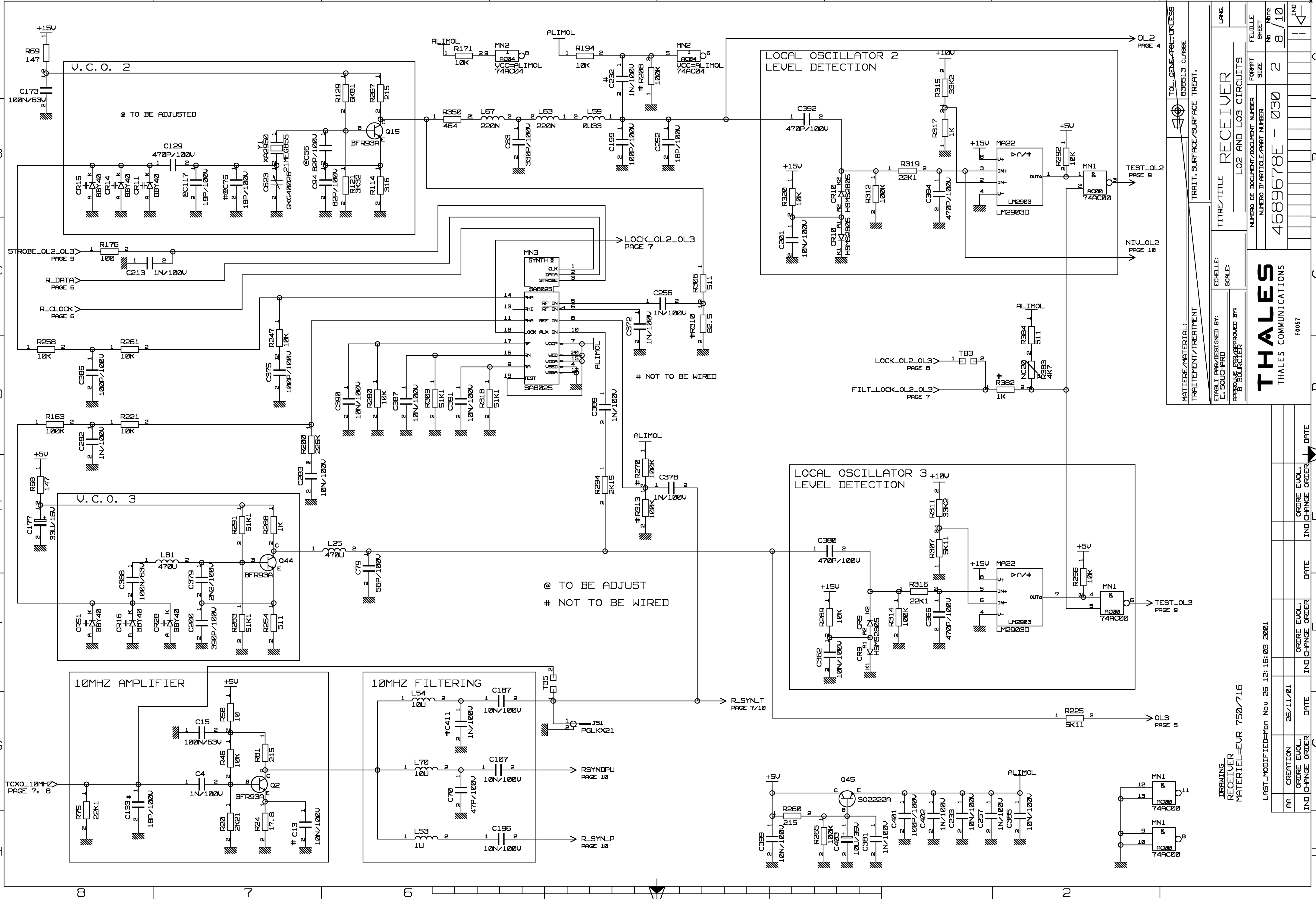
RECEIVER LOCAL OSCILLATOR 1

NUMERO DE DOCUMENT/DOCUMENT NUMBER: 4689678E - 030

FEUILLE SHEET: 7/10

TRAIT. SURFACE/SURFACE TREAT.





**THALES**  
THALES COMMUNICATIONS  
F 0057

RECEIVER  
L02 AND L03 CIRCUITS

4689678E - 030 2 8/10

NUMERO DE DOCUMENT/DOCUMENT NUMBER: 4689678E  
FEUILLE SHEET: 2  
NUMERO D'ARTICLE/PART NUMBER: 030

ETABLI PAR/DESIGNED BY: E. SOUCHARD  
APPROUVE PAR/APPROVED BY: B. BOURGIER

TRAITEMENT/TREATMENT: TRAIT. SURFACE/SURFACE TREAT.  
TOL. GENE/POL.: UNLESS  
BS8513 CLASSE

DRAWING: RECEIVER MATERIEL=EUR 750/716

LAST\_MODIFIED=Mon Nov 26 12:16:03 2001

IND. CHANGE ORDER	DATE	IND. CHANGE ORDER	DATE	IND. CHANGE ORDER	DATE
AA	26/11/01				





