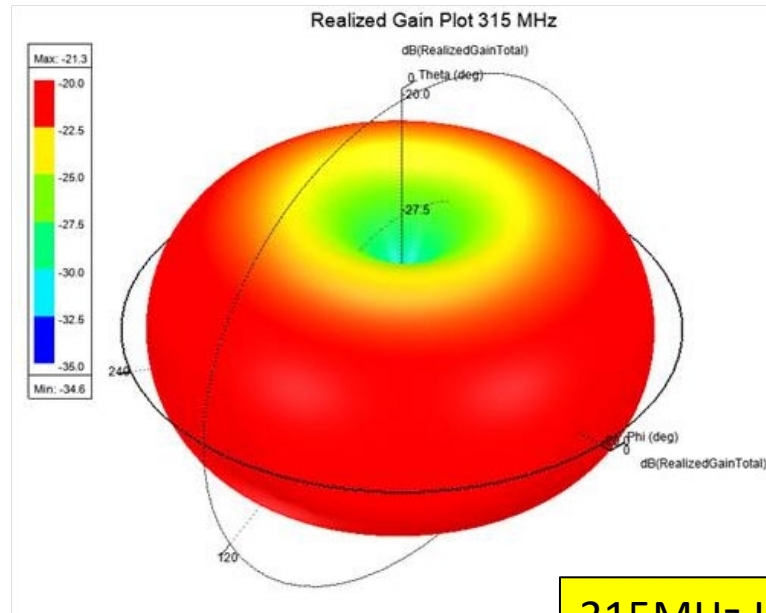
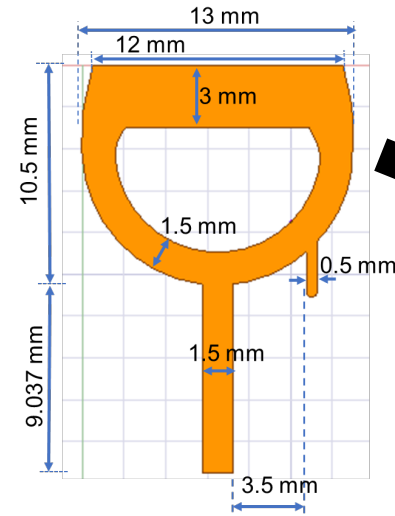
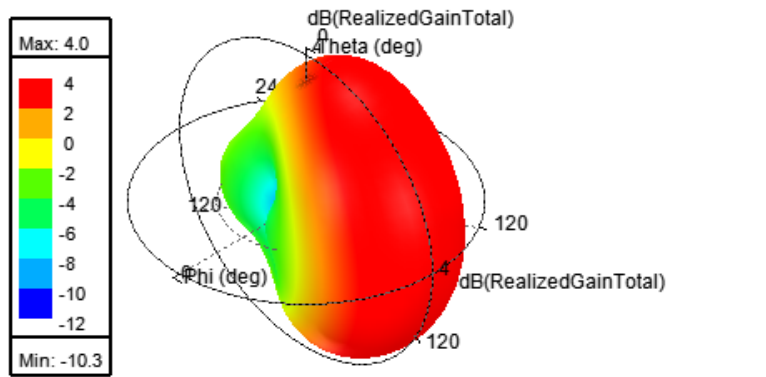
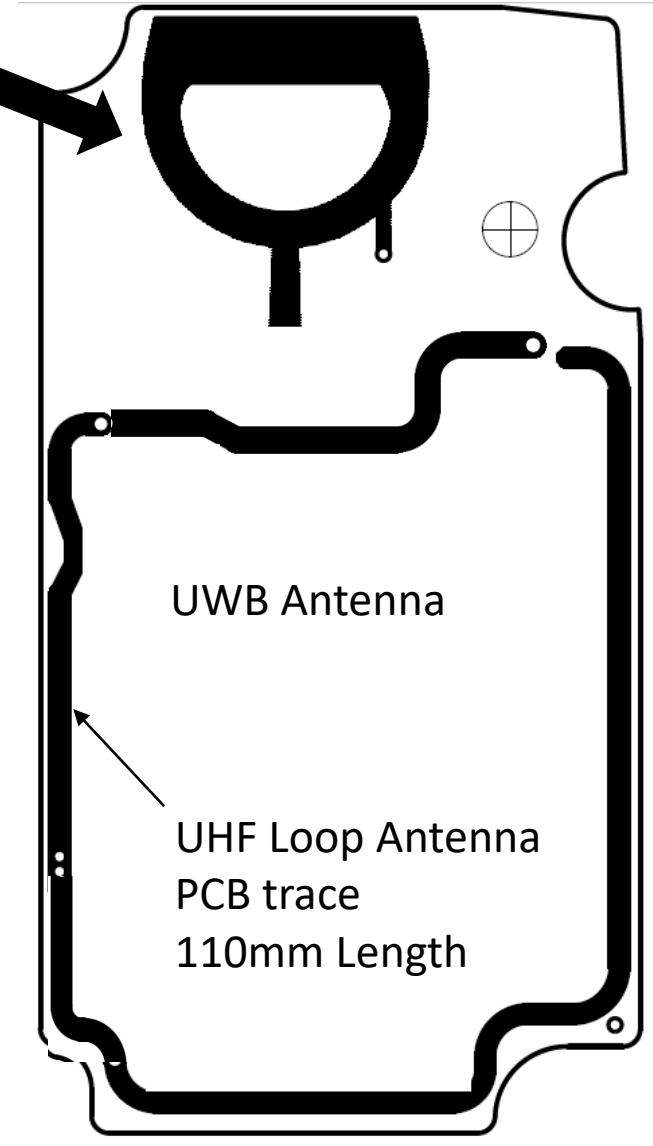


Realized Gain (dB) at desired center frequencies:

1. 3.9936 GHz



315MHz UHF Antenna Gain = -20dBi
3.9936GHz UWB Antenna Gain = 4dBi



NOTE: All emissions measurements are performed radiated and therefore additional gain documentation is not required.