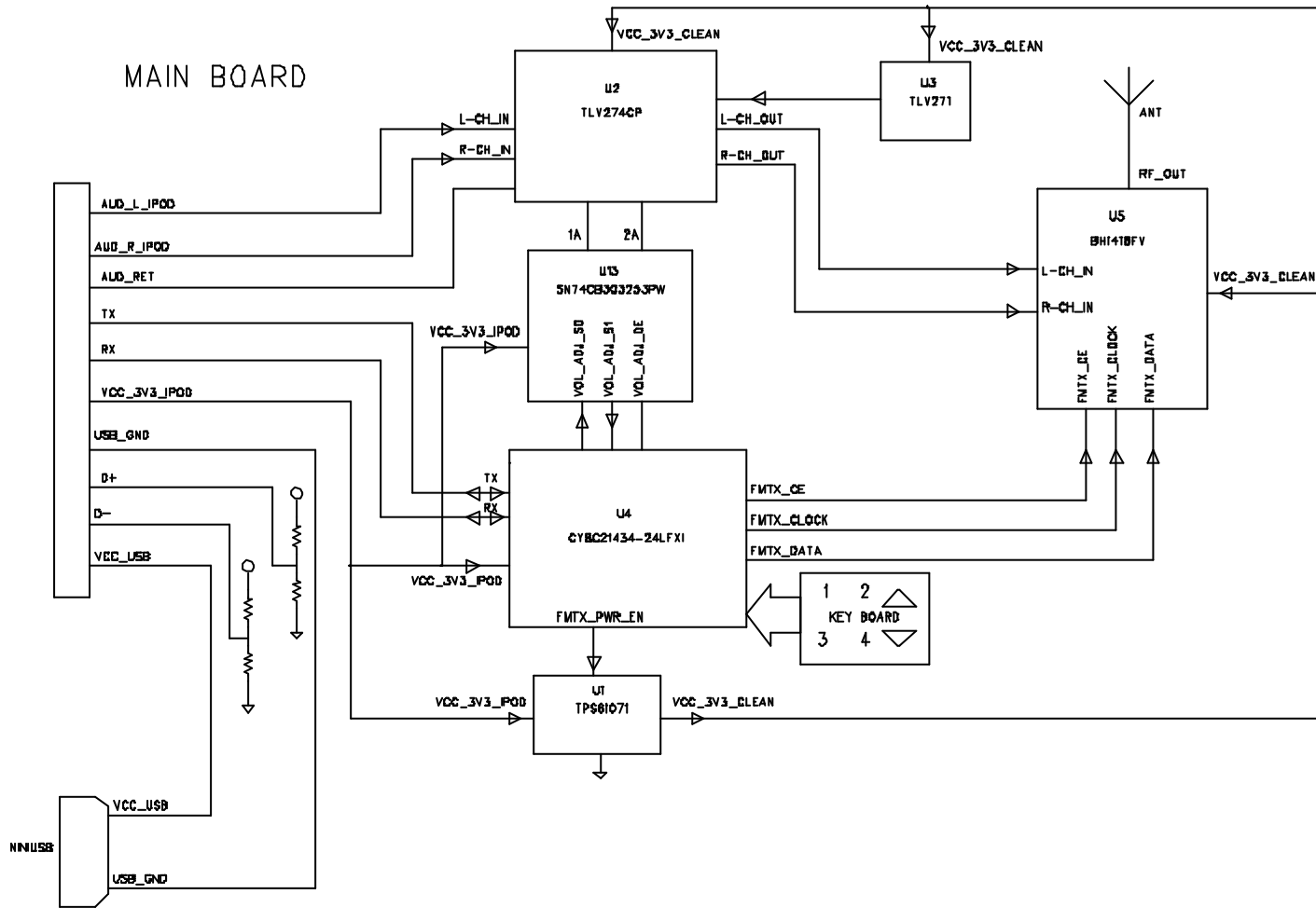


6 5 4 3 2 1

REVISION HISTORY			
DATE	REV. NO.	APPROVED	DATE

MAIN BOARD



D

C

B

A

D

C

B

A

DESIGNED	DATE	PROJECT		
DRAWN	DATE	FILE		
CHECKED	DATE	REV. NO.		
APPROVED	DATE	DESIGNER	DATE	DATE