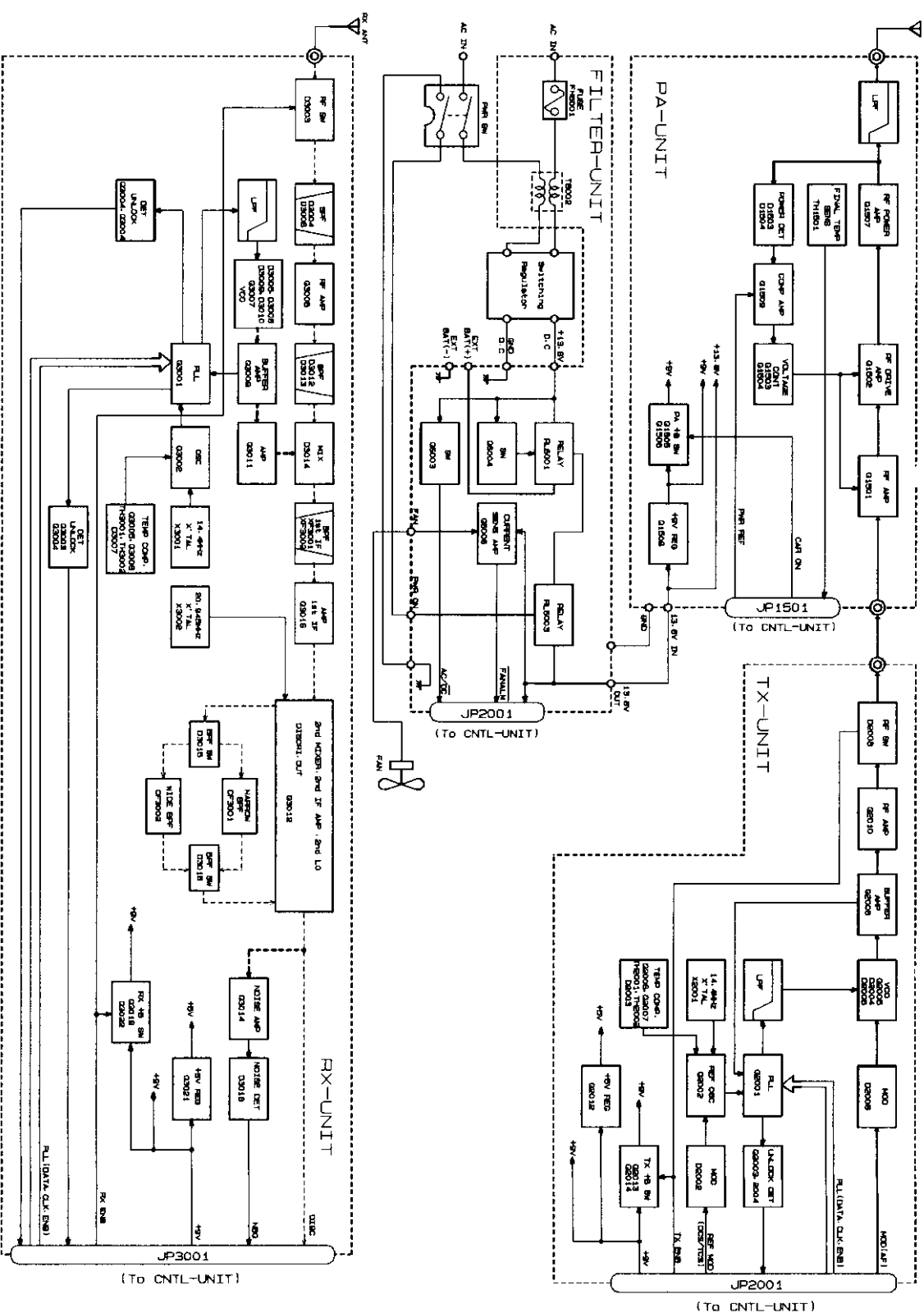


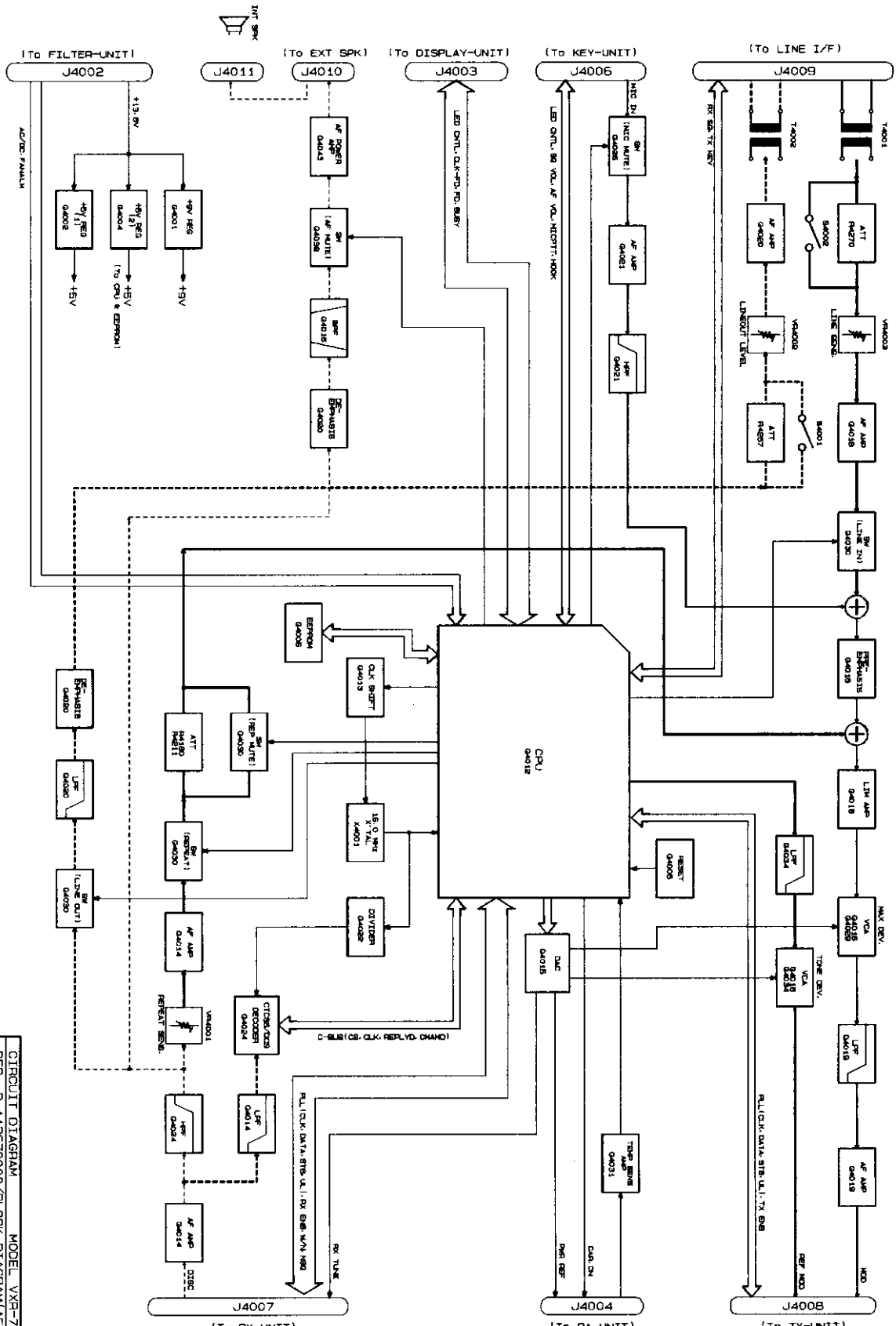
RF BLOCK-DIAGRAM



ID: K6VXR-7000
2.1033(c) BLOCK DIAGRAM

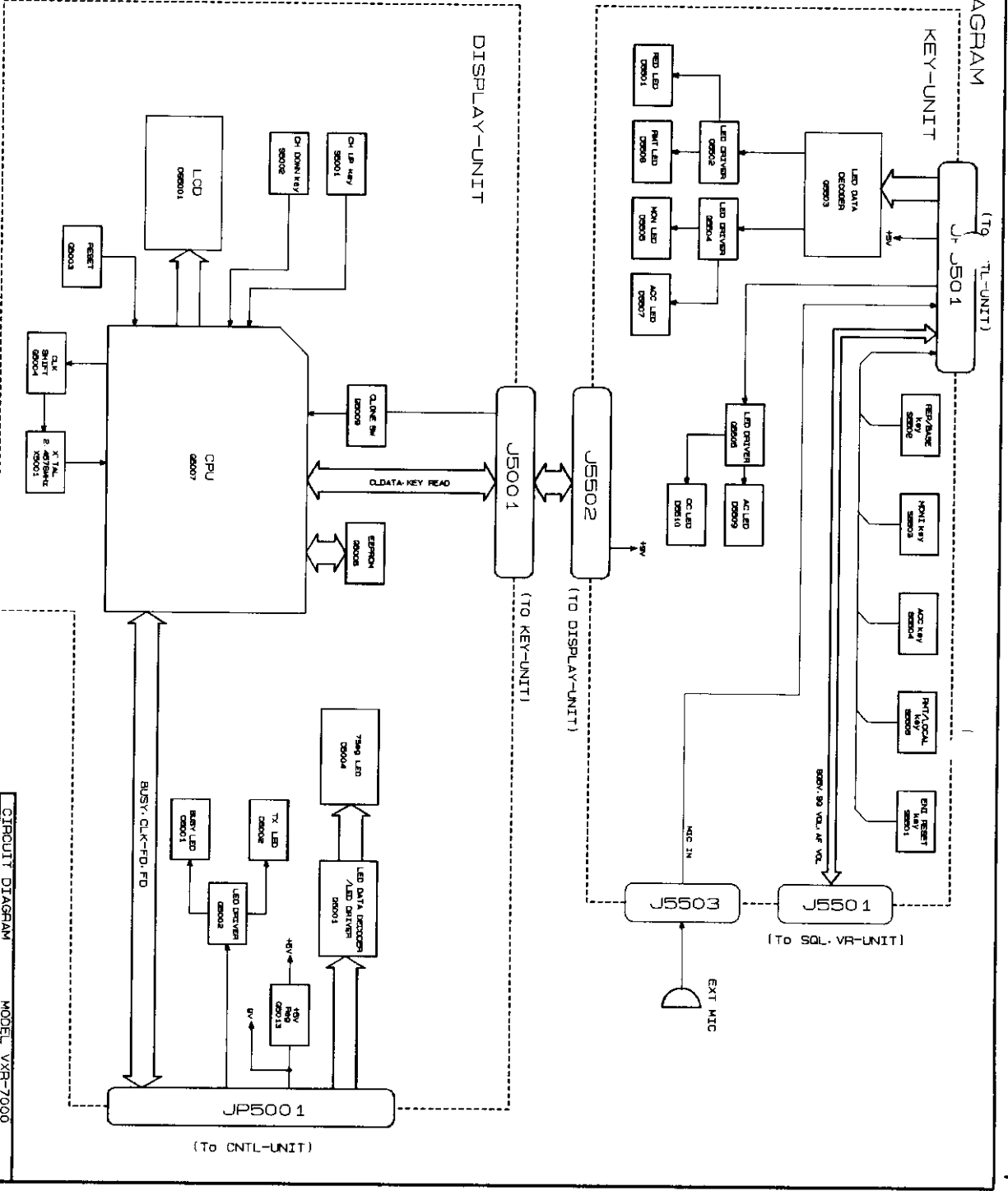
ROUTING DIAGRAM MODEL VXR-7000
DES. B-A18670000/BLOCK-DIAGRAM EDITION 0000
REF. BFO0400A-C1P/001.SHT
DATE 19 APR. 1999 UPDATE 11 MAY. 1999
YAESU MUSEN CO., LTD.
Yaesu 1999-07-10 19:11

CNTL BLOCK-DIAGRAM



CIRCUIT DIAGRAM	MODEL VXR-7000
DES. B-A1367000/BLDCK-DIAGRAM(AF)	
REF. B9005730A/C17/001 SH	
DATE 21 APR. 1999	UPDATE 11 MAY. 1999
YAESU MUSEN CO., LTD.	
Yaesu1	1999.07.10 19:19

PANEL BLOCK-DIAGRAM



CIRCUIT DIAGRAM MODEL VXR-2000
 DES. B-A1367000/BLDCK-DIAGRAM(0191)
 REF. BPO05740A.CIR/001.91E EDITION 0000
 DATE 20 APR. 1999 UPDATE 11 MAY. 1999
 YAESU MUSEN CO., LTD
 yaesu 1999.07.10 19727