

REV	DESCRIPTION	DATE	APPROVED
1	INITIAL RELEASE PER EO #E5365-44		

-01 Part: Sheets 1 through 4
-02 Part: Sheets 1 through 5

NOTE: Cover sheet is for Revision Control only, and is not to be sent with document.

REV																		
SHEET	34	35	36	37	38	39	40	41	42	43	44	45	46	47	48	59	50	51
REV																		
SHEET	16	17	18	19	20	21	22	23	24	25	26	27	28	29	30	31	32	33
REV STATUS			1	1	1	1	1	1										
OF SHEETS			0	1	2	3	4	5	6	7	8	9	10	11	12	13	14	15
TOLERANCES	APPROVALS			DATE			HID CORPORATION											
.XX = +/- .03"	DWN Andresky			060500			IRVINE, CALIFORNIA											
.XXX = +/- .010"	CHK						Installation Manual, Miniprox Reader											
ANGLES = +/- 1°	APVD																	
MATERIAL N/A	APVD																	
FINISH N/A	THIS DOCUMENT CONTAINS PROPRIETARY INFORMATION. IT MAY NOT BE DISCLOSED TO OTHERS OR USED FOR MANUFACTURING PURPOSES WITHOUT THE PERMISSION OF HID CORPORATION.						P/N 5365-910			REV 1								
SCALE N/A							SIZE A			SHEET 0 OF 5								

Install Manual – 5365-910 Rev 1
Miniprox™ Installation Manual

Connecting the Reader to the Host

Connect the reader to the host according to the wiring table below and the host installation guide.

- Miniprox™ Reader with snap-on cover and 18" cable
(For terminal block versions no cable is supplied)

1

- #6-32 x 1" self-tapping panhead screw

2

- Installation manual

1

- Junction box (Hazardous installation version only)

1

- Wire splice

9

- DC Power supply 5.0 VDC or 12 VDC

2

Wiegand
Clock & Data
Wire Color
Terminal Number

+DC
+DC
Red
TB1-1

Ground
Ground
Black
TB1-2

Data0
Data
Green
TB1-3

Data1
Clock
White
TB1-4

Shield Ground
Shield Ground
Drain
TB1-5

Green LED
Green LED
Orange
TB1-6

Red LED
Red LED
Brown
TB1-7

Beeper
Beeper
Yellow
TB1-8

Mounting Instructions

- Determine an appropriate mounting location. The reader may be mounted to any surface, including metal.
- Drill two (2) 3/32-inch (2.5mm) holes approximately 1 inch deep for mounting the reader.
- Drill a 5/8-inch (16mm) hole for the cable.
- Remove the snap-on cover from the reader and secure the reader to the mounting surface.
- Route the cable from the reader and/or power supply to the host. A linear type power supply is recommended. Check all electrical codes for proper cable installation.
- For best operation, the drain wire should be disconnected at the power supply end of the cables.
- For the cable connection to the Panel - Use Alpha #1299C or equivalent.
- Test the operation of the reader. After completion of the test, replace the snap-on cover.
- See sheet 3 of this manual for the appropriate dimensioned drawings.

Hold
Hold
Blue
TB1-9

Card Present
Violet
TB1-10

Testing and Operation

- When power is applied to the reader the LED will flash green three (3) times while the beeper beeps simultaneously. The LED will then turn red. This indicates that the microcontroller is operating properly.
- Present an ID card to the reader. The LED will momentarily turn green while the beeper beeps once, indicating that the card was read successfully.

Important Product Specifications

Power requirements (linear supply)

Operating Voltage Range	5.0 – 16.0 VDC
Absolute Maximum Voltage	18 VDC
Peak Current	80 Ma
Average Current 5V or 12V	20 Ma

Maximum cable distance 500 ft (153 m)
To host

FCC Compliance Statement: This device complies with part 15 of the FCC rules. Operation is subject to the following two conditions: (1) this device may not cause harmful interference, and (2) this device must accept any interference received, including interference that may cause undesired operation.

Pigtail Installation

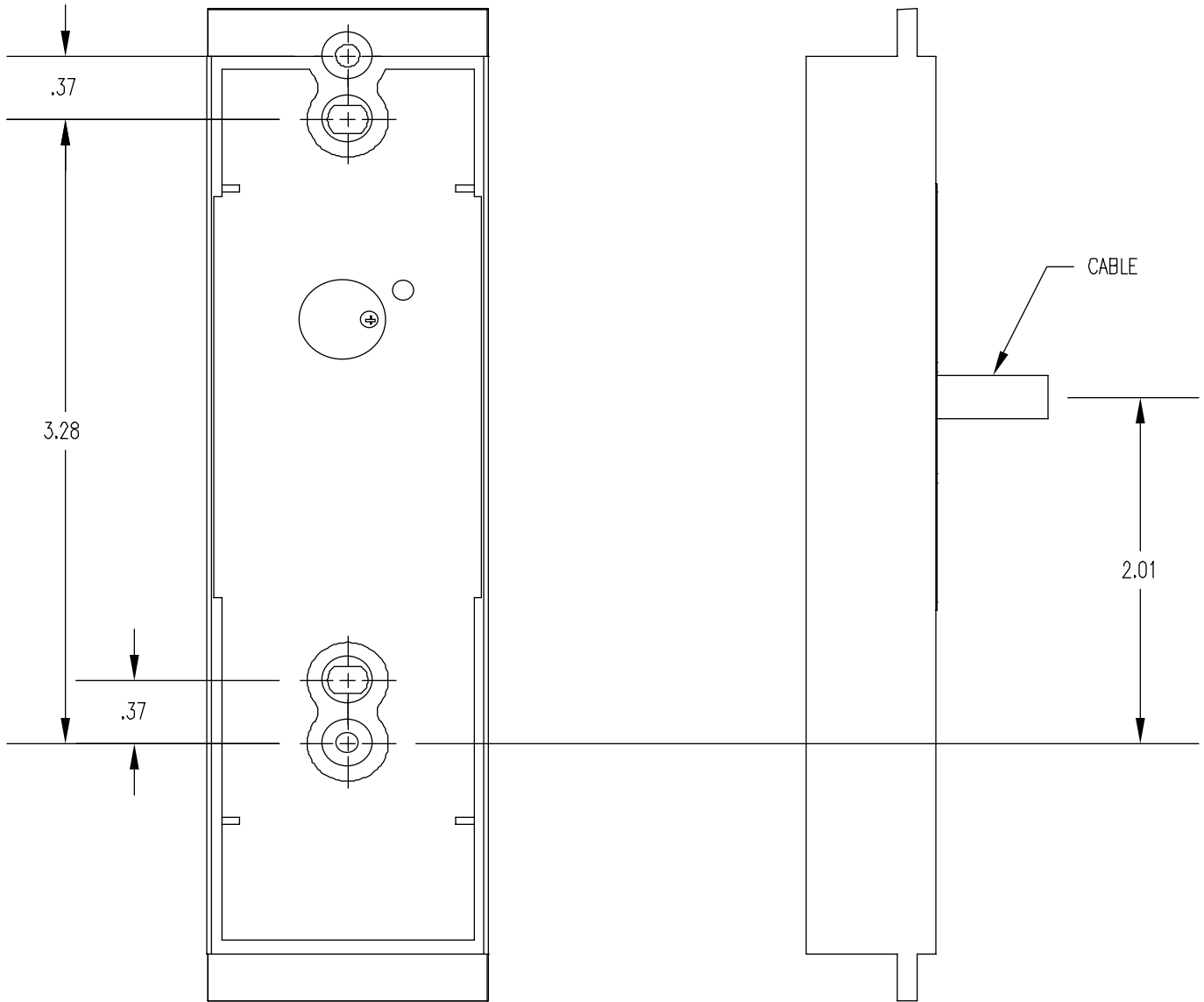


Figure 1

Terminal Block Installation

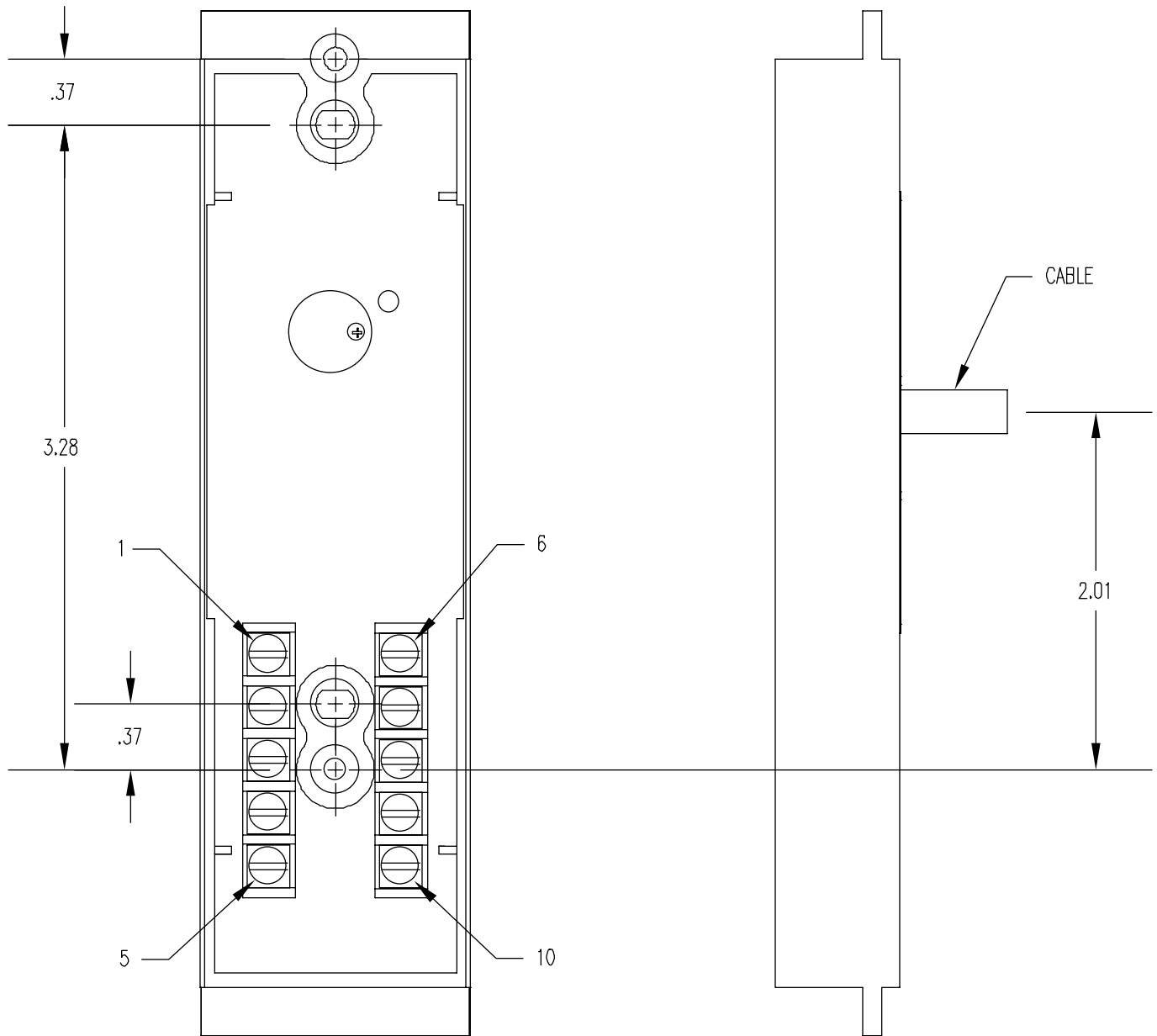


Figure 2

Hazardous Location Installation (Pigtail or Terminal Block)

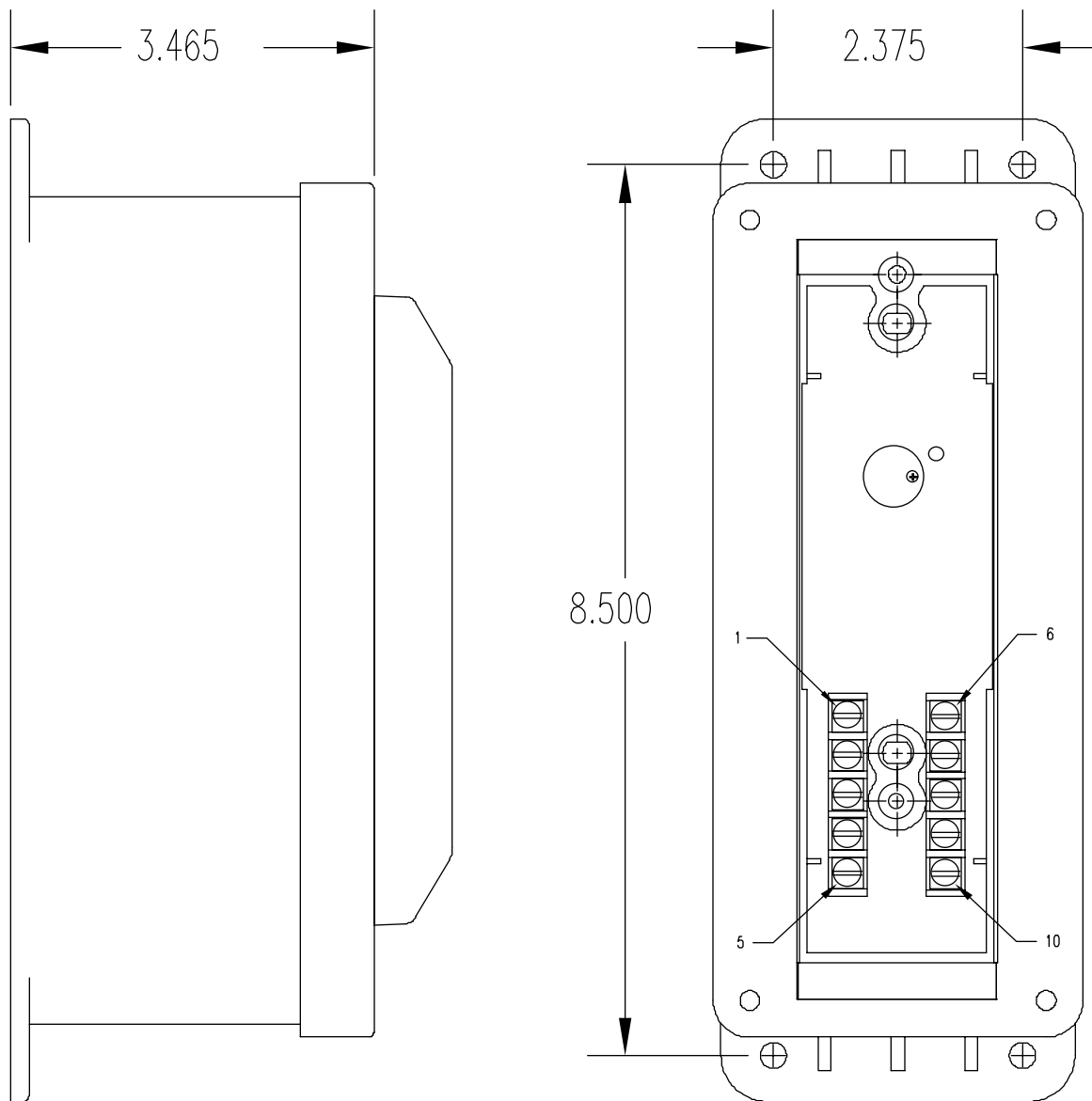


Figure 3