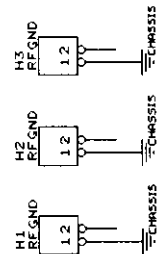
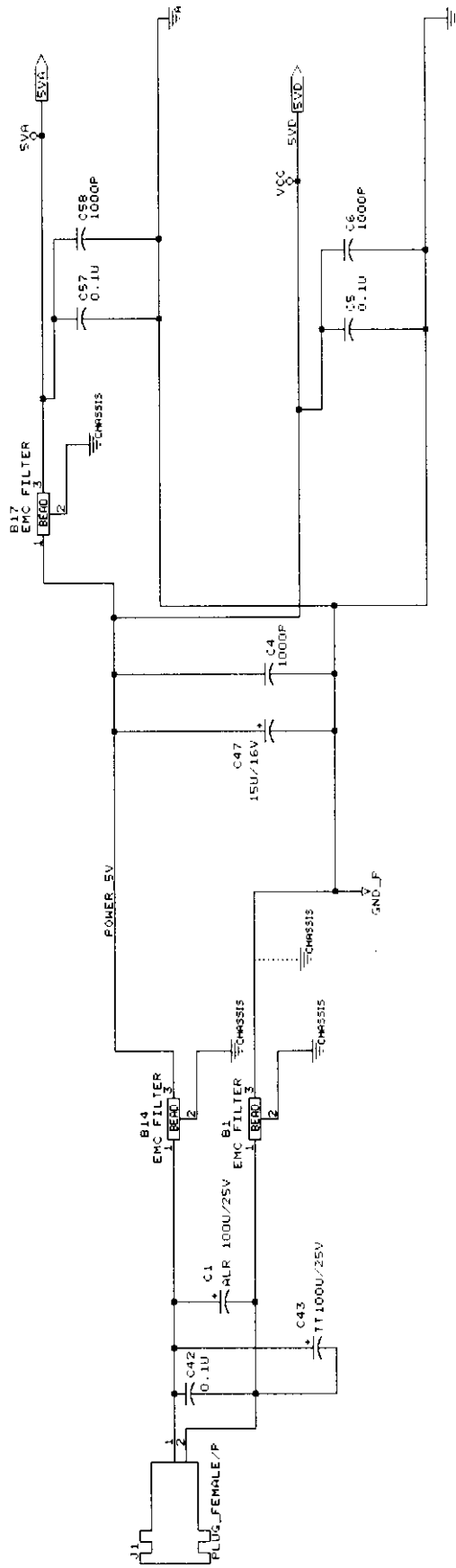
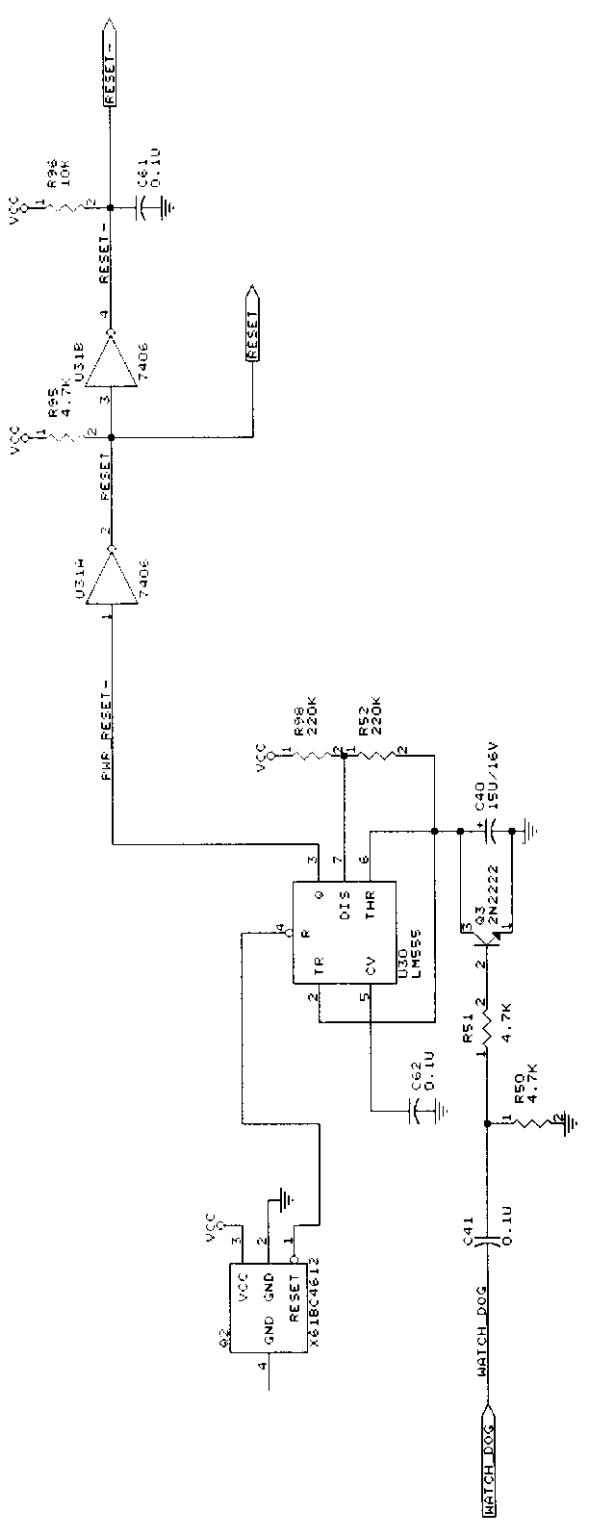


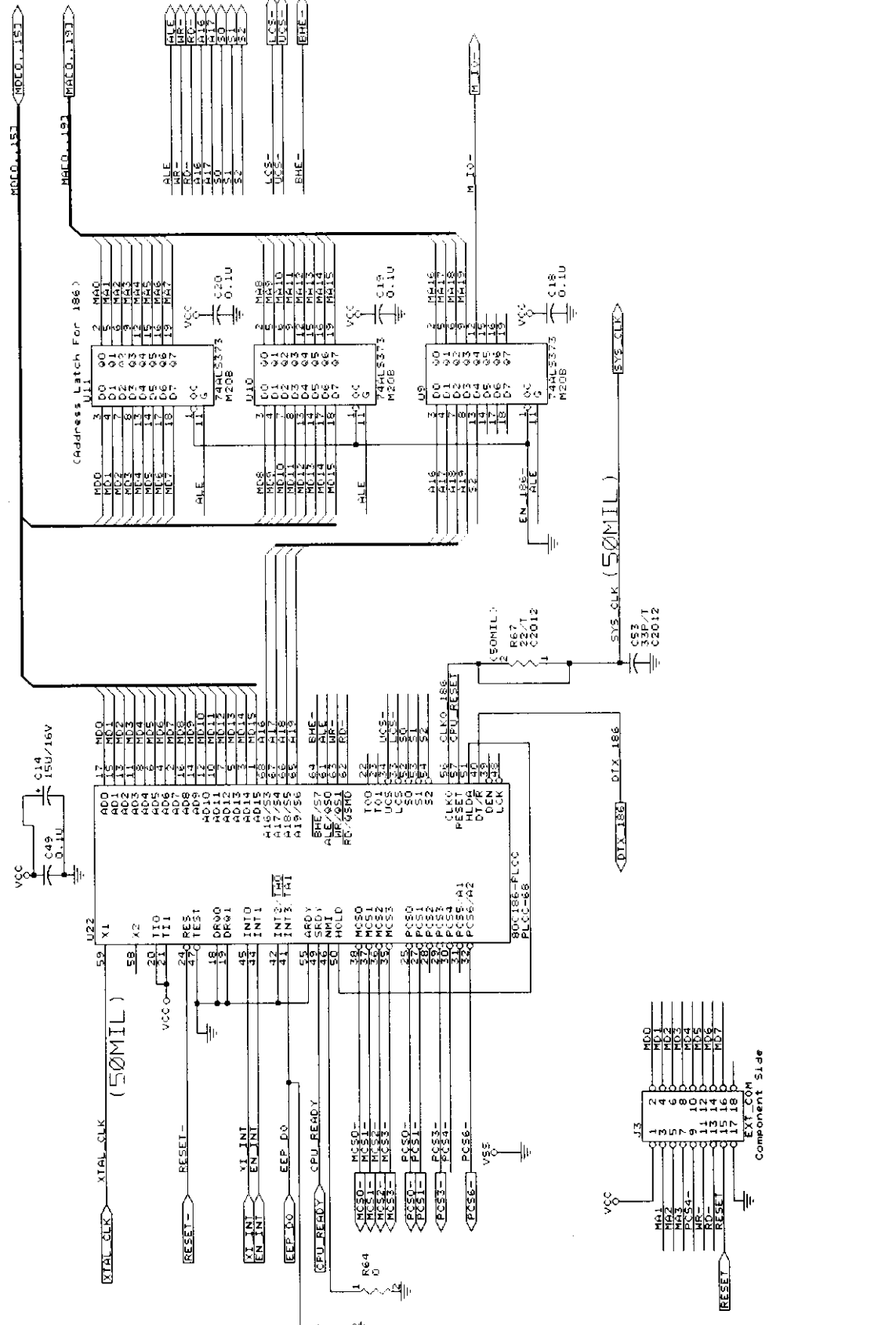
Circuit Diagram



NATIONAL DATACOMM CORP Cable/FREE Etherbridge NCF600	
Title	DC-TO-DC POWER CIRCUIT
Size	Document Number
B	97-806000-03
REV	X1
Date:	March 25, 1999 Sheet 2 of 14

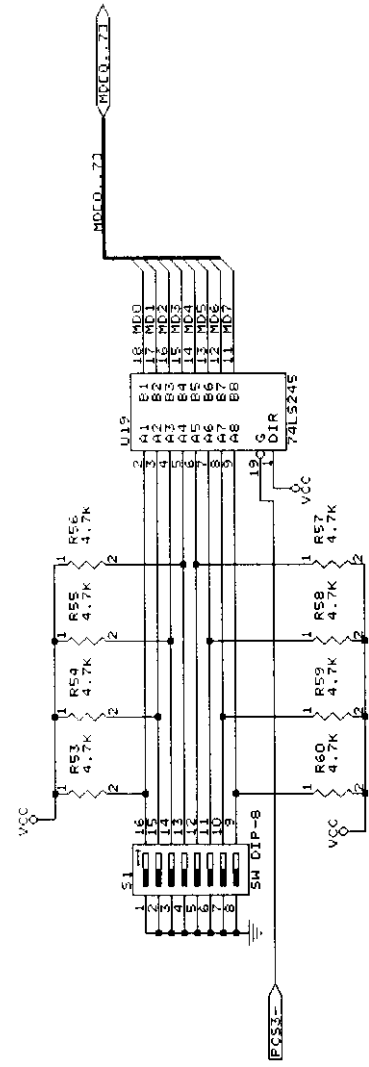
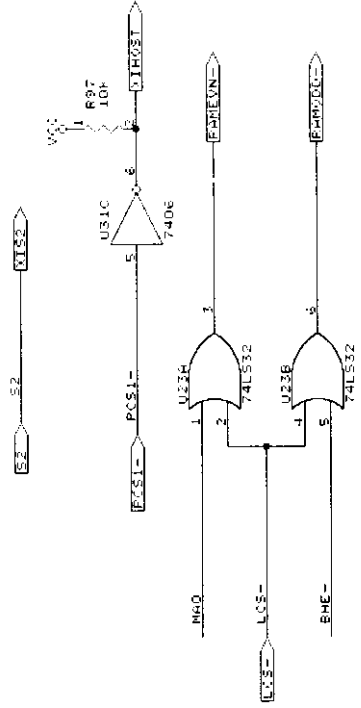
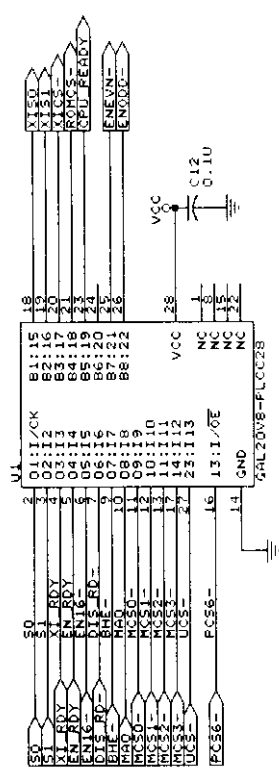


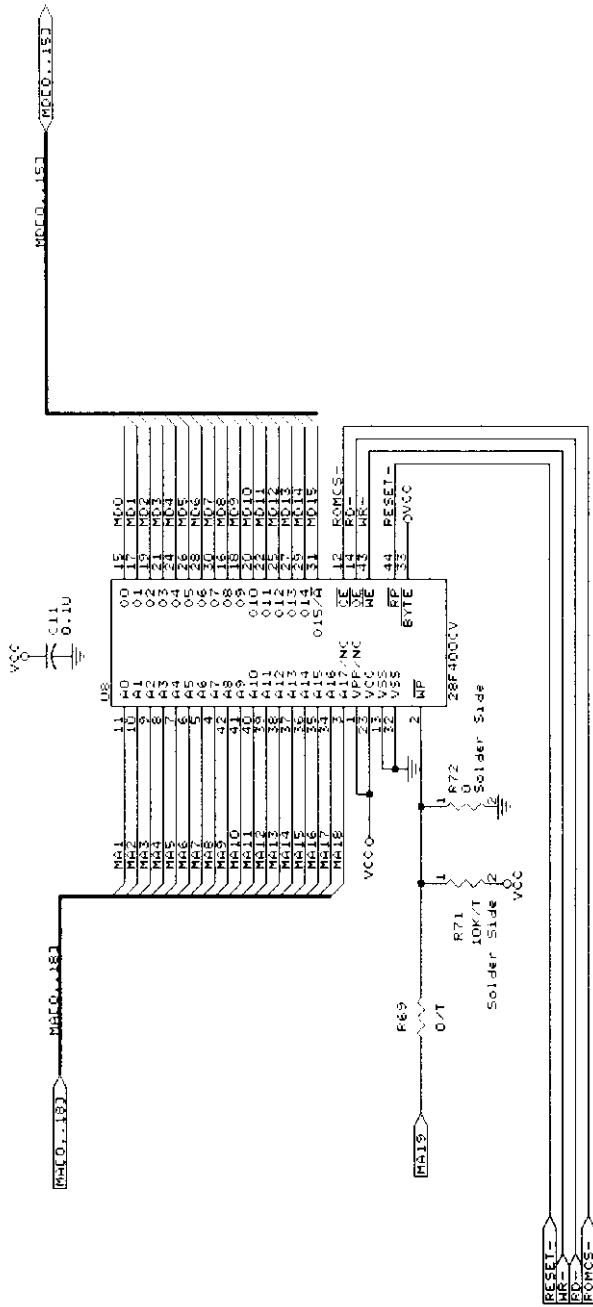
NATIONAL DATACOMM CORP. Cablefree Etheridge NCF600	
Title	MATCH DOG & RESET INTERFACE
Size	Document Number
B	97-806000-03
REV	X1
Date:	MAY 28, 1992
	3 of 14

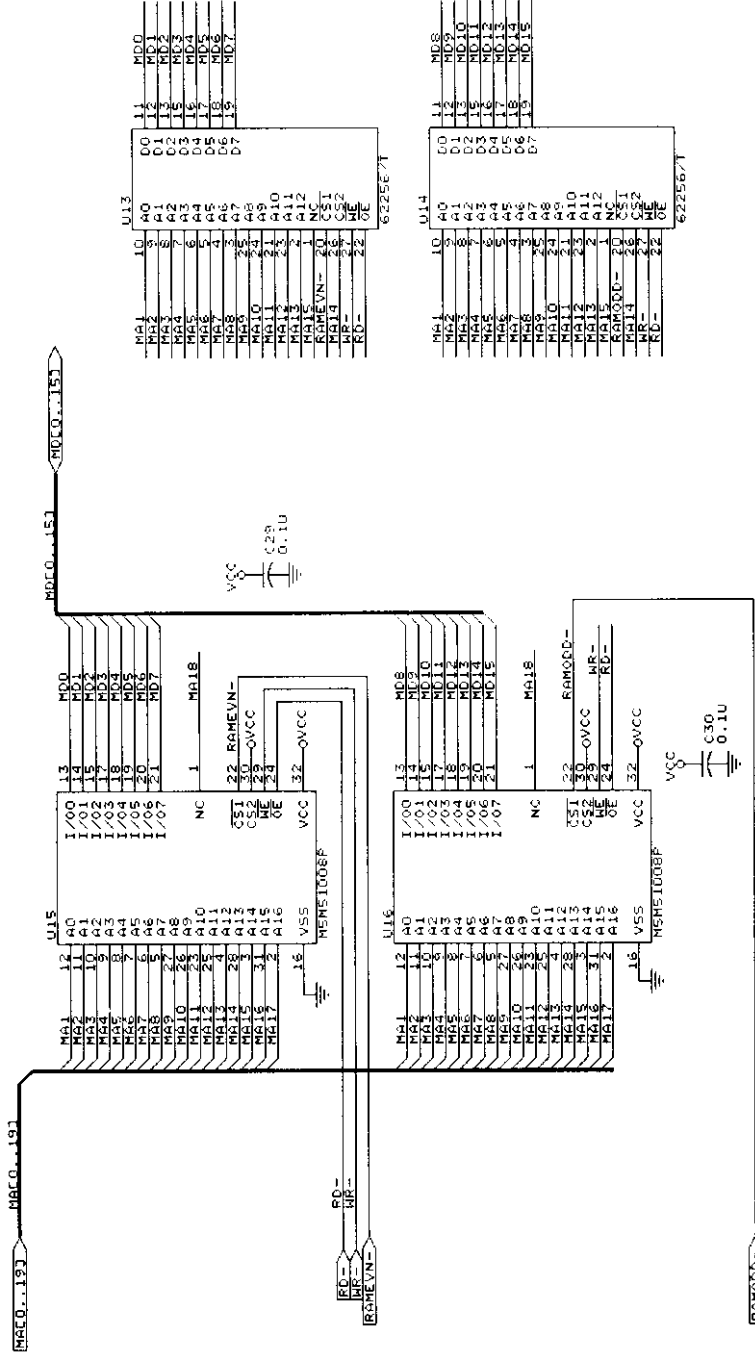


PAL Equation :

$X150 = S0 * (\text{DIS_RD} - 8 * (\text{I51} * S0))$
 $X151 = S1 * (\text{DIS_RD} - 8 * (\text{I51} * S0))$
 $X1C5- = \text{MCS0-} * \text{MCS1-}$
 $\text{ROMCS-} = \text{UCS-} * \text{MCS2-} * \text{MCS3-}$
 $\text{EMEVN-} = (\text{M90} * \text{EN16-}) * \text{PCS6-}$
 $\text{EN0DD-} = \text{BHE-} * \text{PCS6-}$
 $\text{CPU_READY} = \text{EN_RDY} * \text{XI_RDY}$

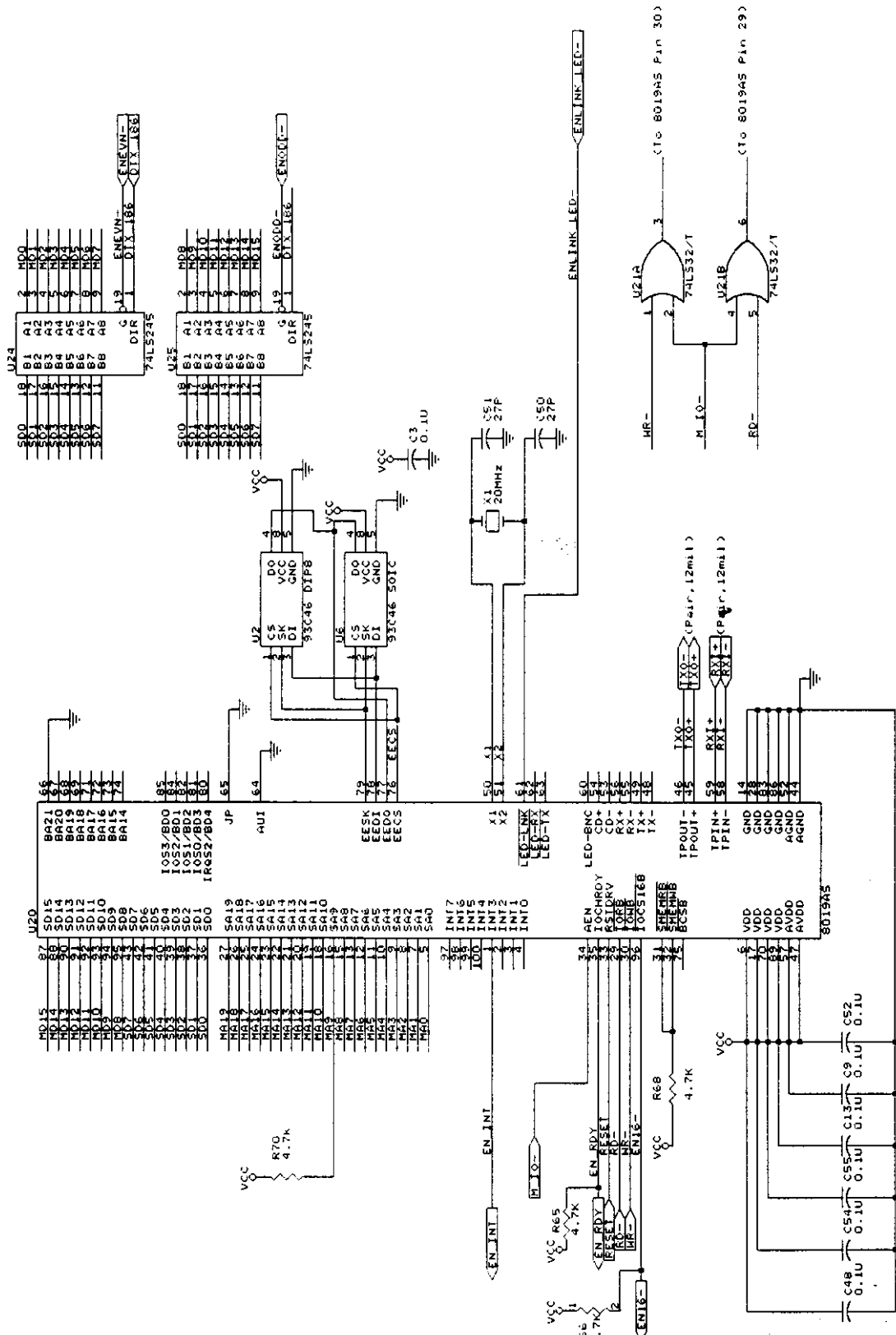


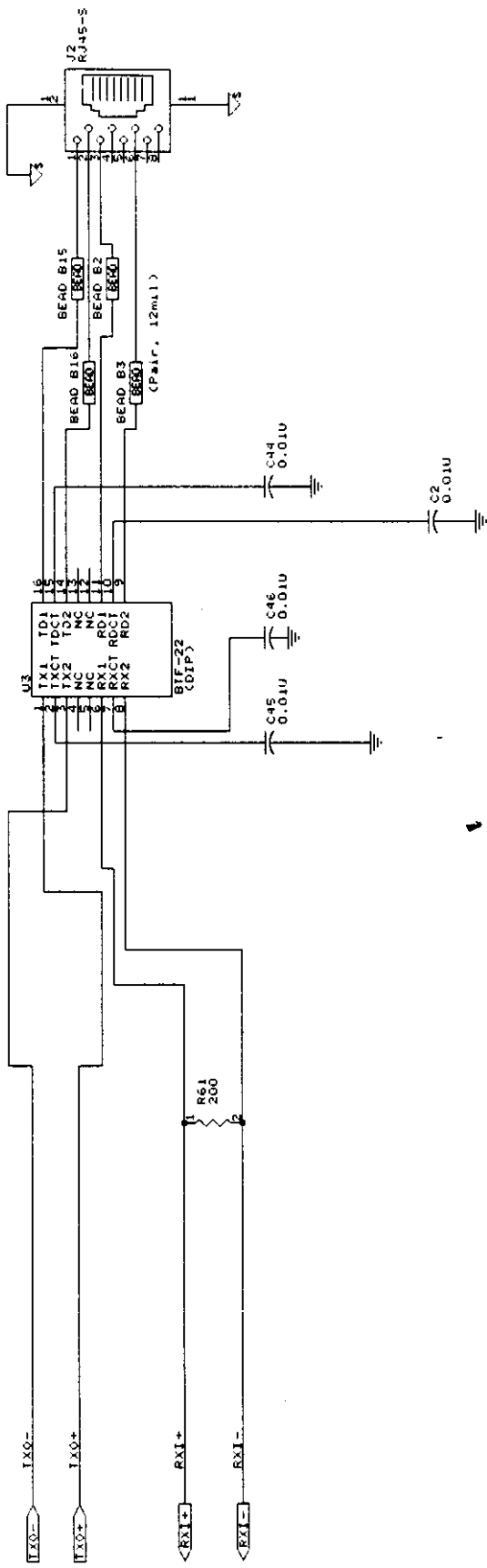




HDLC...153

MACO...193





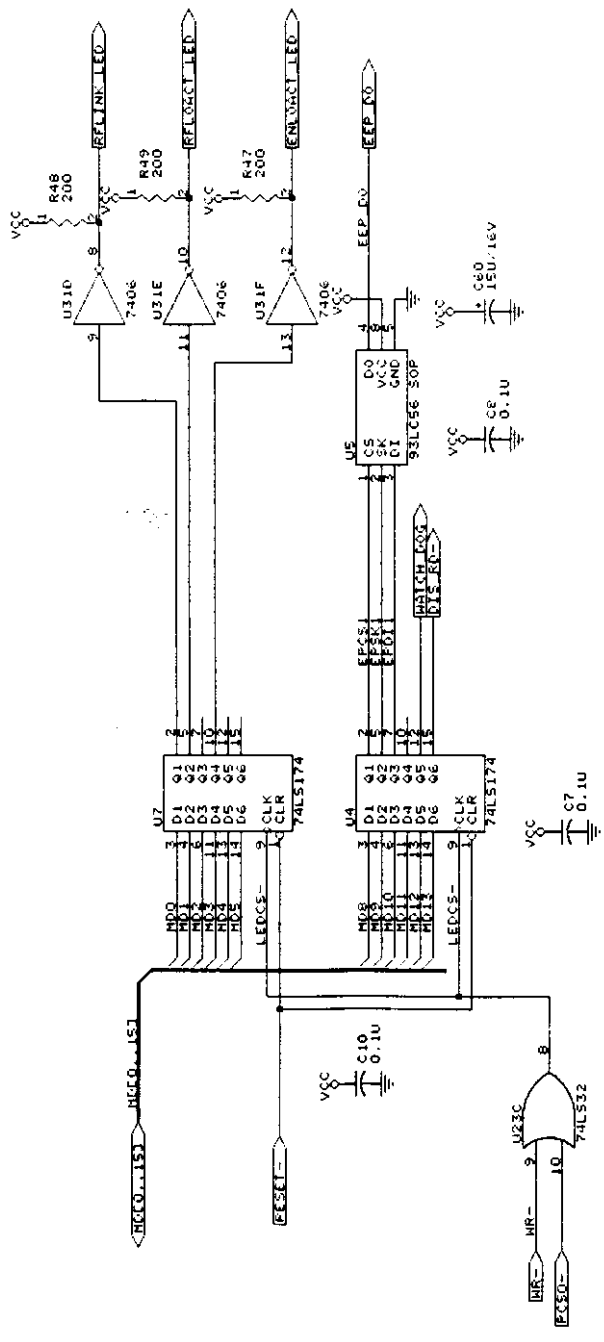
NDC NATIONAL DATACOMM CORPORATION
 Cable/FREE Etherbridge NCF600

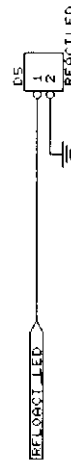
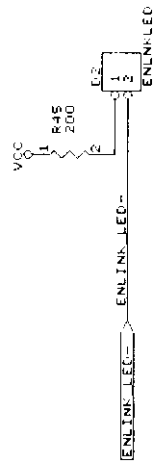
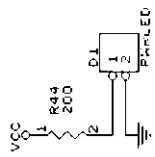
Title TWISTED PAIR CIRCUIT

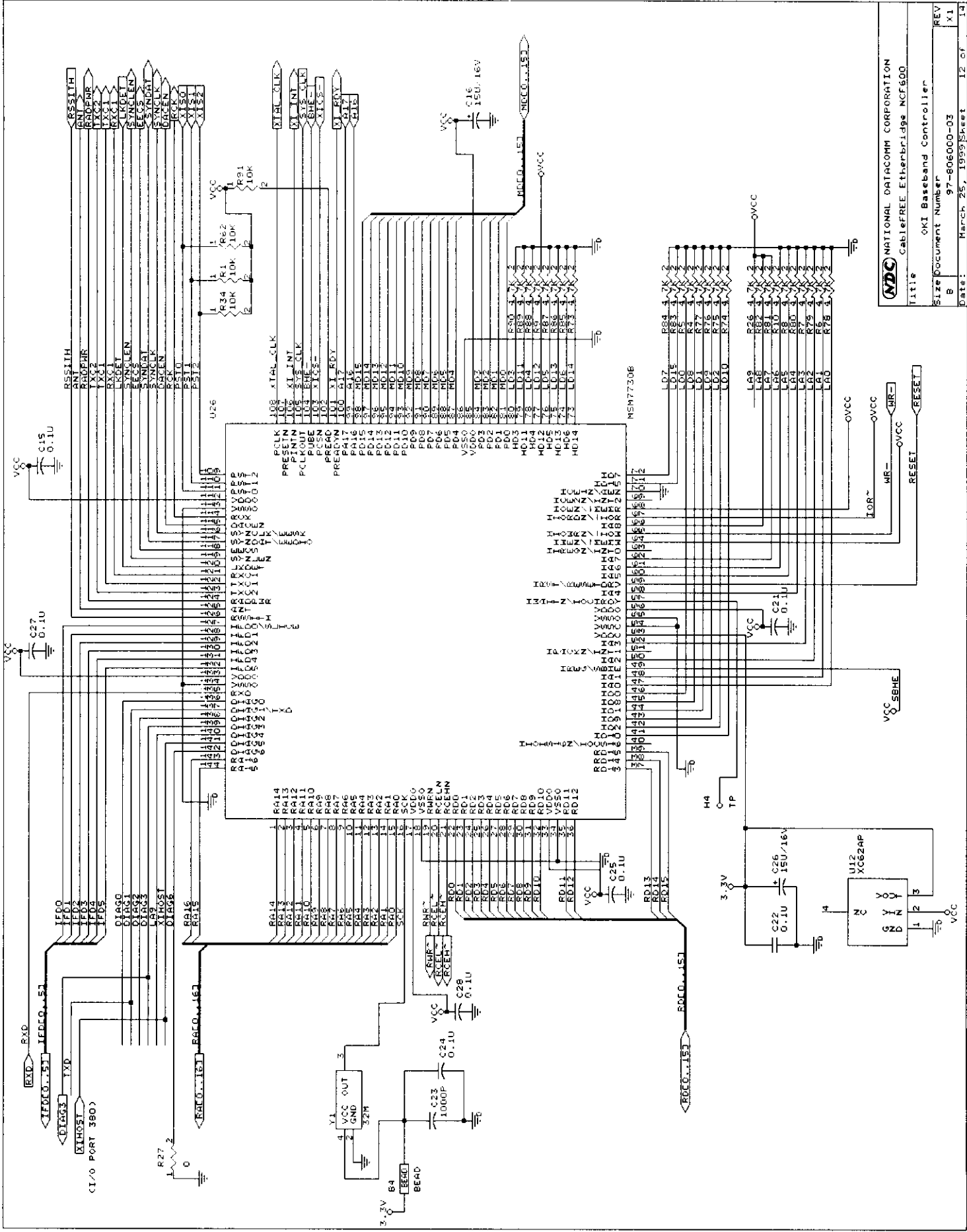
Size Document Number 97-806000-03

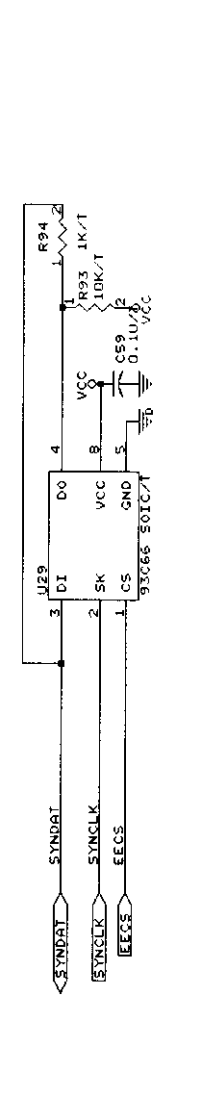
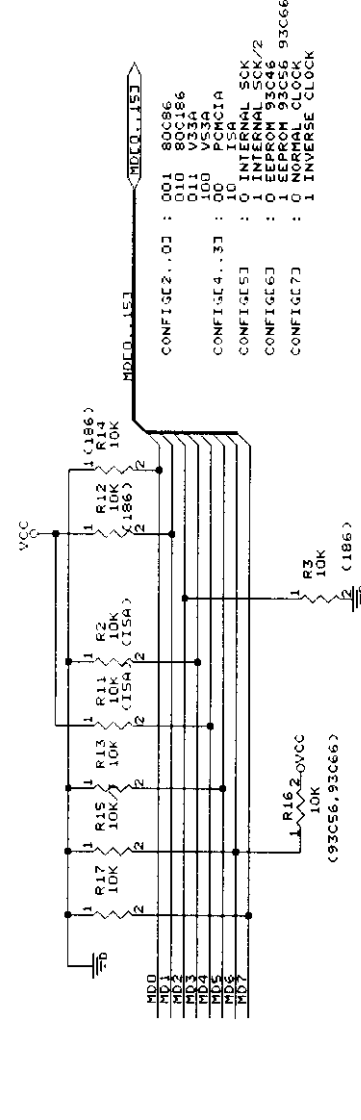
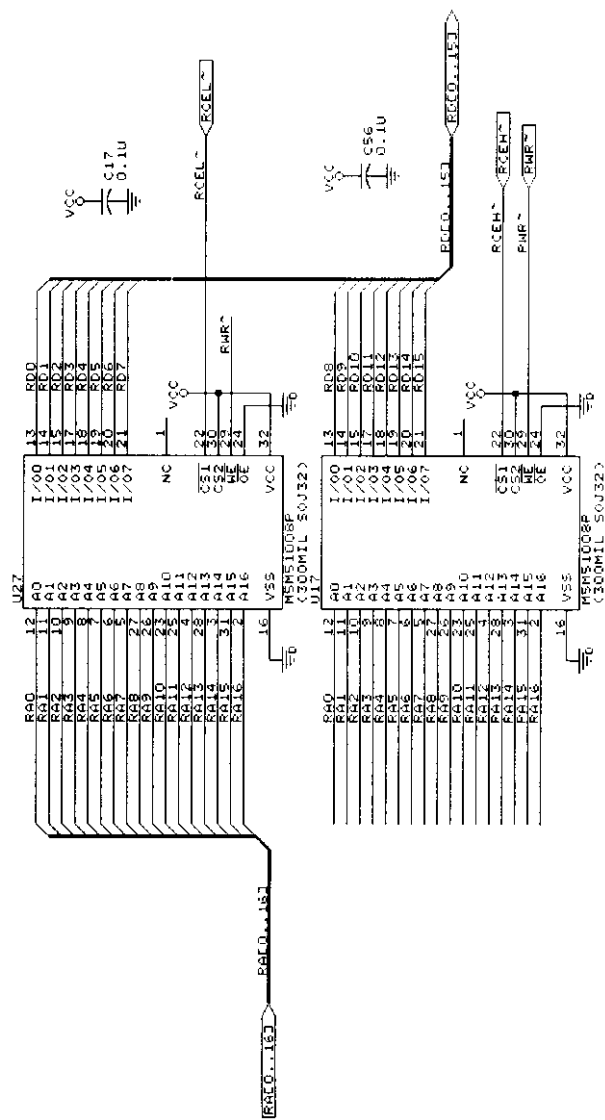
B 97-806000-03

Date: May 28, 1993 Sheet 3 of 13

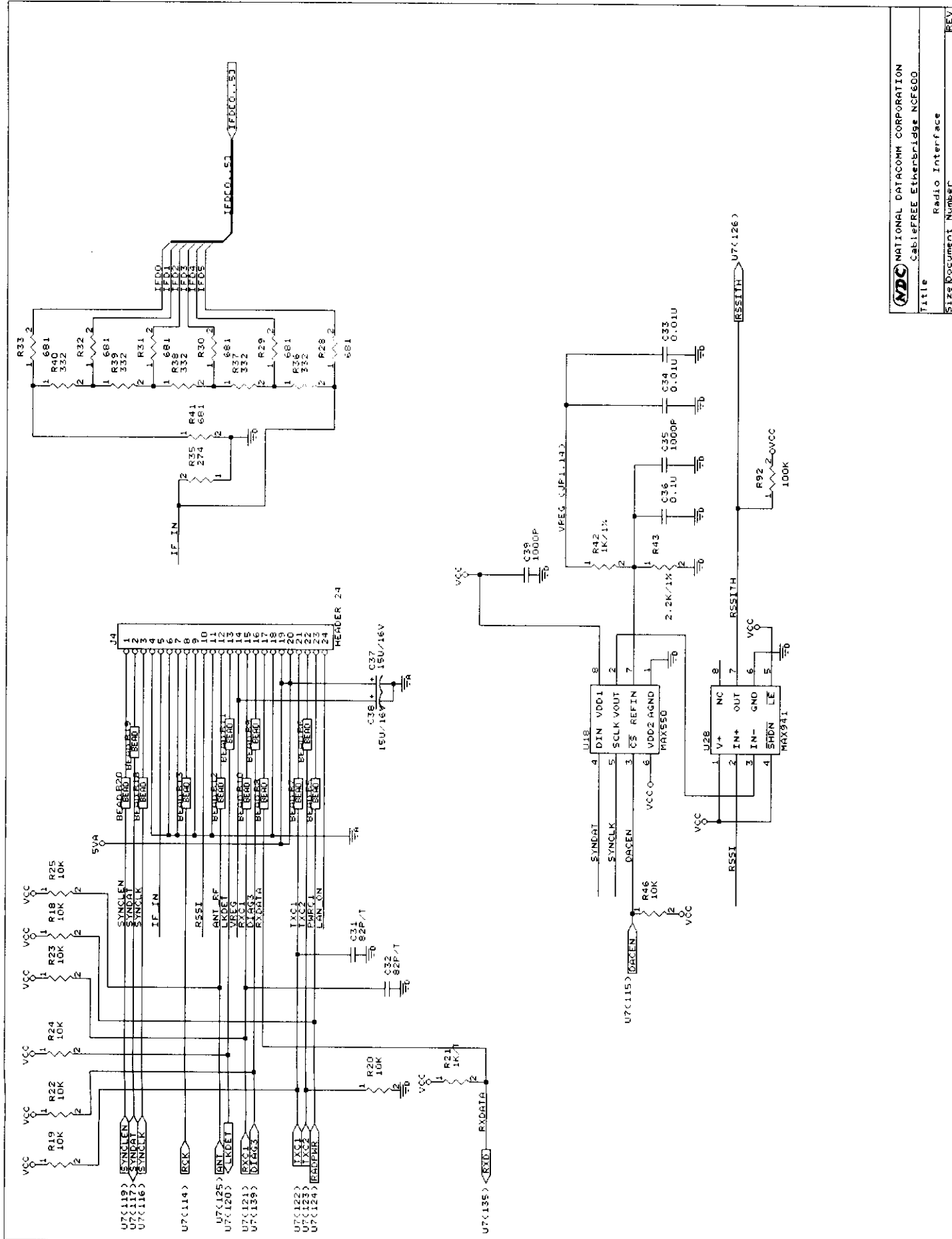








CONFIG2..03 : 001 80C86
 010 80C186
 011 80C286
 012 V23A
 013 V23A
 014 PDMCIA
 CONFIG4..33 : 000 PDMCIA
 CONFIG53 : 10 ISA
 CONFIG54 : 0 INTERNAL SCK
 CONFIG55 : 1 INTERNAL SCK/2
 CONFIG63 : 0 EPROM 93C46/2
 CONFIG64 : 1 EPROM 93C56
 CONFIG65 : 0 NORMAL CLOCK
 CONFIG66 : 1 INVERSE CLOCK
 CONFIG67 : 0 NORMAL CLOCK
 CONFIG68 : 1 INVERSE CLOCK



NATIONAL DATACOMM CORPORATION Cable/FREE Etherbridge NCF600	
Title	Radio Interface
Size	Document Number
B	97-806000-03
REV	X1
Date:	May 20, 1999 Sheet 14 of 14