



FCC Test Report

**Product Name: HSDPA/UMTS/GPRS/GSM/EDGE Mobile Phone
with Bluetooth**

**Model Number: EX300
Type name: DVT6-33411A11
Report No: SYBHZ(R)E016042010EB-3
FCC ID: IHDP56LP2**

Reliability Laboratory of Huawei Technologies Co., Ltd.

Huawei Base, Bantian, Longgang District, Shenzhen 518129, P.R. China

Tel: +86 755 28780808 Fax: +86 755 89652518



Notice

1. The laboratory has obtained the accreditation of China National Accreditation Service for Conformity Assessment (CNAS), and accreditation number: L0310.
2. The laboratory has obtained the accreditation of THE AMERICAN ASSOCIATION FOR LABORATORY ACCREDITATION (A2LA), and Accreditation Council Certificate Number: 2174.01.
3. The laboratory has been listed on the US Federal Communications Commission list of test facilities recognized to perform electromagnetic emissions measurements. The site recognition number is 97456.
4. The laboratory has been listed by industry Canada to perform electromagnetic emission measurement. The site recognition number is 6369A-1.
5. The laboratory also has been listed by the VCCI to perform EMC measurements. The accreditation number is R2364, C2583, and T256.
6. The test report is invalid if not marked with "exclusive stamp for the test report".
7. The test report is invalid if not marked with the stamps or the signatures of the persons responsible for performing, revising and approving the test report.
8. The test report is invalid if there is any evidence of erasure and/or falsification.
9. If there is any dissidence for the test report, please file objection to the test centre within 15 days from the date of receiving the test report.
10. Normally, the test report is only responsible for the samples that have undergone the test.
11. Context of the test report cannot be used partially or in full for publicity and/or promotional purposes without previous written approval of the laboratory.



REPORT ON **FCC Test of HSDPA/UMTS/GPRS/GSM/EDGE Mobile Phone with Bluetooth**

M/N: EX300


Report No: SYBHZ(R)E016042010EB-3

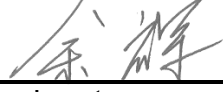
FCC ID: IHDP56LP2

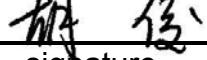
REGULATION **FCC CFR47 Part 2: Subpart J;**

FCC CFR47 Part 24: Subpart E;

CONCLUSION **PASS**

General Manager	2010.5.18	张兴海	
	Date	Name	signature

Technical Responsibility For Area of Testing	2010.5.18	余 辉	
	Date	Name	signature

Test Lab Engineer	2010.5.18	胡 俊	
	Date	Name	signature



Contents

1	<u>Summary</u>	5
2	<u>Product Description</u>	6
2.1	PRODUCTION INFORMATION	6
2.2	MODIFICATION INFORMATION.....	6
3	<u>Test Site Description</u>	7
3.1	TESTING PERIOD	7
3.2	GENERAL SET UP DESCRIPTION	7
4	<u>Product Description</u>	8
4.1	TECHNICAL CHARACTERISTICS	8
4.2	EUT IDENTIFICATION LIST	10
5	<u>Main Test Instruments</u>	11
6	<u>Transmitter Measurements</u>	12
6.1	EFFECTIVE ISOTROPICALLY RADIATED POWER OF TRANSMITTER (EIRP).....	12
6.2	CONDUCTED POWER OF TRANSMITTER.....	15
6.3	MODULATION CHARACTERISTICS	17
6.4	OCCUPIED BANDWIDTH.....	19
6.5	BAND EDGES COMPLIANCE	21
6.6	SPURIOUS EMISSION AT ANTENNA TERMINAL	23
6.7	FREQUENCY STABILITY	25
7	<u>System Measurement Uncertainty</u>	28
8	<u>Appendices</u>	29



1 Summary

The table below summarizes the measurements and results for the HSDPA/UMTS/GPRS/GSM/EDGE Mobile Phone with Bluetooth. Detailed results and descriptions are shown in the following pages.

Table 1 Summary of results

FCC Measurement Specification	FCC Limits Part(s)	Description	Result
2.1046	24.232	Effective Radiated Power of Transmitter	PASS
2.1046	24.232	Conducted Power of Transmitter	PASS
2.1047	/	Modulation Characteristics	PASS
2.1049	/	Occupied Bandwidth	PASS
2.1051	24.238	Band Edges Compliance	PASS
2.1051	24.238	Spurious Emission at Antenna Terminal	PASS
2.1055	24.235	Frequency Stability	PASS
2.1053	24.238	Radiated Spurious Emissions	(See Note)

Note: The Radiated Spurious Emissions' test results are shown in the EMC report.



2 Product Description

2.1 Production Information

2.1.1 General Description

HSDPA/UMTS/GPRS/GSM/EDGE Mobile Phone with Bluetooth- EX300 is subscriber equipment in the WCDMA/GSM system. The WCDMA frequency band is Band I and Band VIII, they can't be used in this report. The GSM/GPRS/EDGE frequency band includes GSM900 and DCS1800 and PCS1900, but only PCS1900 band test data included in this report. The Mobile Phone implements such functions as RF signal receiving/transmitting, WCDMA and GSM/GPRS/EDGE protocol processing, voice, video, MMS, GPS service, etc. Externally it provides micro SD card interface, earphone port(to provide voice service) and USIM card interface. It also provides Bluetooth module to synchronize data between a PC and the phone, or to use the built-in modem of the phone to access the Internet with a PC, or to exchange data with other Bluetooth devices.

Note: Only tests for GSM/GPRS/EDGE 1900MHz (PCS) band was included in this report for the requirement of FCC part 2 & 24.

2.1.2 Support function and Service

The HSDPA/UMTS/GPRS/GSM/EDGE Mobile Phone with Bluetooth support the function and service as follows:

Table 2 Service and Test mode List

Service Name	Characteristic	Corresponding Test Mode	Note
Voice and data	Modulation: GMSK	TM1	GPRS/GSM
Data	Modulation: 8PSK	TM2	EDGE

Note: * The specified GPRS test conditions & settings are defined in 3GPP TS51.010 V5.4.0 and the EDGE test conditions & settings are defined in 3GPP TS51.010 V5.4.0.

2.2 Modification Information

For original equipment, following table is not application.

Table 3 Modification Information

Model Number	Board/Module	Original Version	New Version	Modify Information
Not applicable				



3 Test Site Description

The test site of:

***Huawei Technologies Co. Ltd.
P.O. Box 518129
Huawei base, Bantian,
Longgang District, Shenzhen, China***

3.1 Testing Period

The test have been performed during the period of

May. 4, 2010 –May. 4, 2010

3.2 General Set up Description

TM1: GPRS/GSM Mode with GMSK Modulation

TM2: EDGE Mode with 8PSK Modulation



4 Product Description

4.1 Technical Characteristics

4.1.1 Frequency Range

Table 4 Frequency Range

Uplink band:	1850 to 1910 MHz
Downlink band:	1930 to 1990 MHz

4.1.2 Channel Spacing / Separation

Table 5 Channel Spacing / Separation

	EDGE/GPRS/GSM
Channel Raster	200k Hz
Channel spacing:	200k Hz

4.1.3 Type of Emission

Table 6 Type of Emission

	GPRS/GSM	EDGE
Emission Designation:	300kGXW	300KG7W

According to CFR 47 (FCC) part 2, subpart C, section 2.201 and 2.202

4.1.4 Environmental Requirements

Table 7 Environmental Requirements

Minimum temperature:	- 10 °C
Maximum temperature:	+ 55 °C
Relative Humidity:	5%-95%RH

4.1.5 Power Source

Table 8 Power Source

AC voltage nominal:	~ 120 V
AC voltage range	~ 100 V to ~ 240 V
AC current maximal:	650mA

4.1.6 Tune-up Procedure

According to CFR (FCC) part 2, subpart 2, section 2.1033(c) (9).

|

Please reference the document Tune-up Procedure in TCF.

4.1.7 Applied DC Voltages and Currents

According to CFR (FCC) part 2, subpart 2, section 2.1033(c) (8).

The voltage and current in the final RF stage is:

Table 9 Applied DC Voltages and Currents

Voltage:	☐ +2.8V
Current:	100mA According to CFR (FCC) part 2, subpart 2, section 2.1033(c) (8)



4.2 EUT Identification List

4.2.1 Board Information

Table 10 Board Information

HSDPA/UMTS/GPRS/GSM/EDGE Mobile Phone with Bluetooth		
EX300		
Board and Module		
Equipment Designation / Description	Serial Number	Remarks
MAINBOARD	I32AB11022100223	HD1U751M

4.2.2 Battery Technical Data

Type:	Rechargeable Li-ion
Manufacturer:	Motorola
Battery Model:	OM5B
Rated capacity:	1150mAh
Nominal Voltage:	⎓ +3.7V
Charging Voltage:	⎓ +4.2V

4.2.3 FCC Identification

Grantee Code: IHD
Product Code: P56LP2
FCC Identification: IHDP56LP2

5 Main Test Instruments

Table 11 Main Test Equipments

Equipment Description	Manufacturer	Model	Serial Number	Calibrated until (MM.DD.YYYY)
Receiver	R&S	ESIB 26	100318	04.21.2011
BiLog Antenna	Schaffner	CBL 6112B	2747	11.16.2010
Horn Antenna	ETS-Lindgren	3117	00062553	08.15.2010
Horn Antenna	ETS-Lindgren	3160	00060006	08.03.2010
Dipole	Schwarzbeck	D69250- UHAP/D69250-VHAP	979/917	10.11.2010
Signal Generator	R&S	SMR 40	100325	05.11.2010
Signal Generator	R&S	SMU200A	101717	04.10.2011
Power Supply	Keithley	2306	1045337	05.11.2010
Climate Chamber	WEISS	WK11-180/170	5822604947001 0	10.23.2010
Universal Radio Communication Tester	R&S	CMU200	112347	03.30.2011
Wireless communication test set	Agilent	8960	GB43461081	05.10.2010
Spectrum Analyzer	R&S	FSU26	200245	08.27.2010

6 Transmitter Measurements

6.1 Effective Isotropically Radiated Power of Transmitter (EIRP)

6.1.1 Test Conditions

Table 12 Test Conditions

Preconditioning:	0.5 hour
Measured at:	enclosure
Ambient temperature:	25 °C
Relative humidity:	55%
Test Configurations:	TM1/TM2 at frequency Bottom、Middle、 Top

6.1.2 Test Specifications and Limits

6.1.2.1 Specification

CFR 47 (FCC) part 2.1046 and part 24.232

6.1.2.2 Supporting Standards

Table 13 Supporting Standards:

ANSI/TIA-603-C:2004	Land Mobile FM or PM Communications Equipment Measurement and Performance Standards
3GPP TS51.010 V5.4.0	Digital cellular telecommunications system; Mobile Station (MS) conformance specification;

6.1.2.3 Limits

Compliance with part 24.232, in no any case may the peak power of a mobile station transmitter exceed 2 W. And calculate longitude EIRP by following formula: $EIRP(dBm) = 10 * \log(EIRP \text{ in mwatts})$.
 $EIRP(dBm) = ERP(dBm) + 2.15dB$.

Table 14 Limits

Maximum Output Power (Watts)	< 2 Watts
Maximum Output Power (dBm)	< 33 dBm

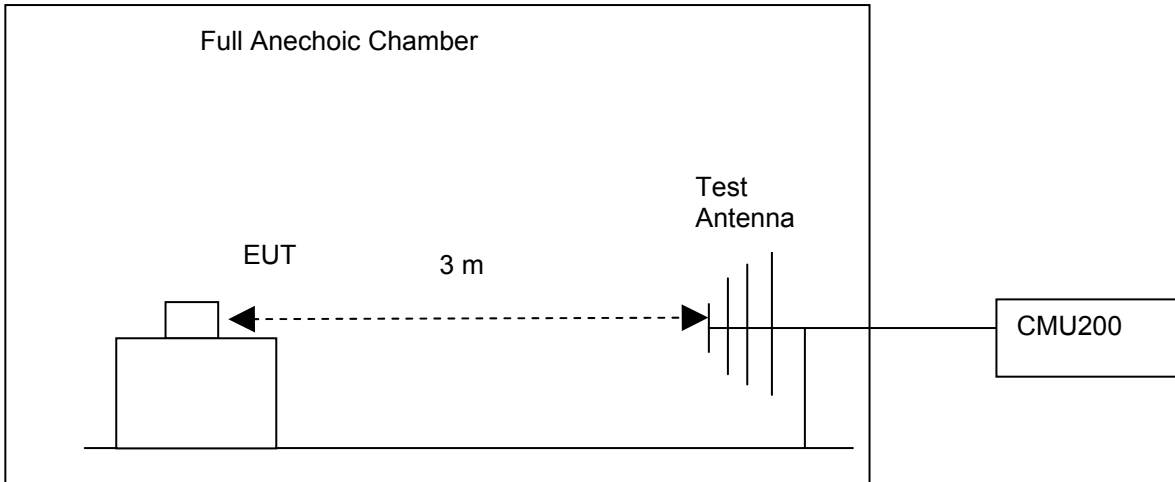
6.1.3 Test Method and Setup

- For transmitters other than single sideband, independent sideband and controlled carrier radiotelephone, ERP shall be measured when the transmitter is adjusted in accordance with the tune-up procedure to give the values of current and voltage on the circuit elements specified in 2.1033(c)(8). Connect the Mobile Phone to the wireless communication tester CMU200 via the air interface. The band is set as PCS1900M.
- Test the Radiated maximum output power by the CMU200 received from test antenna.
- Use substitution method to verify the maximum output power. The EUT is substituted by a horn antenna. The horn is connected to a signal generator. And then adjust the output level of the signal

generator to get the same received power recorded in step (b) on CMU200, and record the power level of Signal Generator. Of course, the cable loss at the test frequency should be compensated.

Test setup

Step 1: Pre-test



Step 2: Substitution method to verify the maximum EIRP

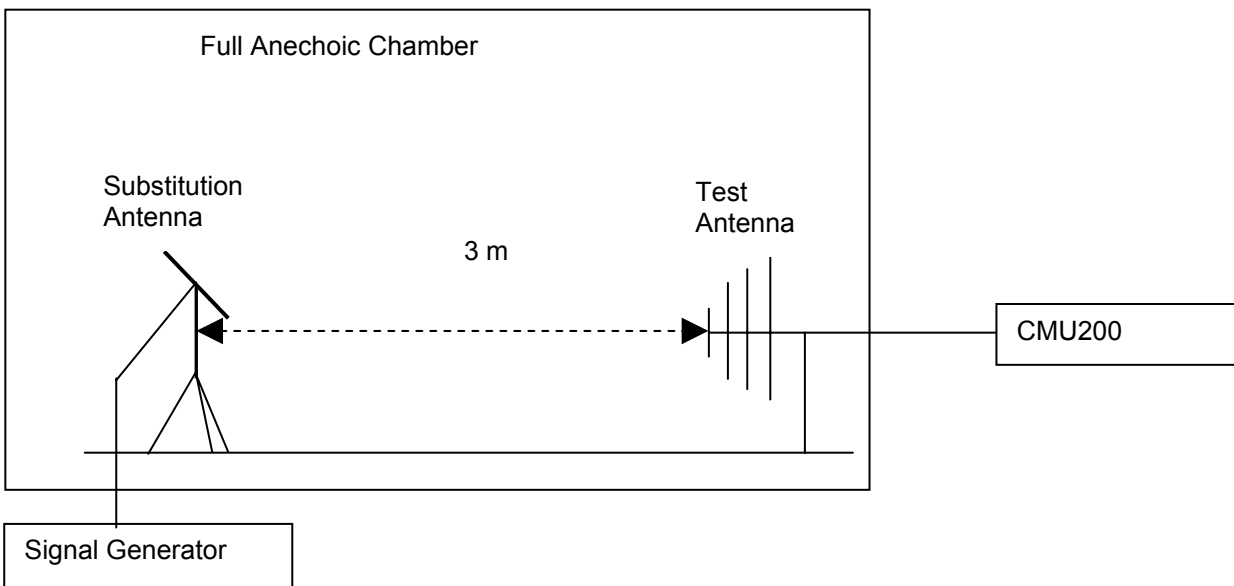


Figure 1. Test Set-up

NOTE: Effective radiated power (ERP) refers to the radiation power output of the EUT, assuming all emissions are radiated from horn antennas.

There is a constant difference of 2.15 dB between EIRP and ERP.

$EIRP (dBm) = ERP (dBm) + 2.15$ (ITU-R Recommendation SM.329-10).

6.1.4 Measurement Results

6.1.4.1 Pre-test Results

Table 15 Measurement Results

TEST CONDITIONS		RF Output Power (EIRP)					
		Channel512(B) 1850.2MHz		Channel661 (M) 1880MHz		Channel810(T) 1909.8MHz	
		dBm		dBm		dBm	
		Measured	Limit	Measured	Limit	Measured	Limit
TM1	T _{nom} (25 °C) V _{nom} (3.7V)	31.89	33	32.11	33	32.36	33
TM2	T _{nom} (25 °C) V _{nom} (3.7V)	27.02	33	27.23	33	27.41	33

6.1.4.2 Substitution Results

Table 16 Substitution Results

Test Mode	Freq. [MHz]	Meas. Level [dBm]	Substitution Antenna Type	SGP [dBm]	Substitution Gain [dBi]	Cable Loss [dB]	Substitution Level (EIRP) [dBm]	Limit [dBm]	Result
TM1	1850.2	31.89	Horn Ant.	28.35	4.6	1.0	31.95	33	Pass
TM1	1880.0	32.11	Horn Ant.	28.66	4.6	1.0	32.26	33	Pass
TM1	1909.8	32.36	Horn Ant..	28.34	4.8	1.0	32.14	33	Pass
TM2	1850.2	27.02	Horn Ant.	23.87	4.6	1.0	27.47	33	Pass
TM2	1880.0	27.23	Horn Ant.	23.78	4.6	1.0	27.38	33	Pass
TM2	1909.8	27.41	Horn Ant..	23.42	4.8	1.0	27.22	33	Pass

Note: a, For get the EIRP (Efficient Isotropically Radiated Power) in substitution method, the following formula should take to calculate it,

$$\text{EIRP [dBm]} = \text{SGP [dBm]} - \text{Cable Loss [dB]} + \text{Gain [dBi]}$$

NOTE: SGP- Signal Generator Level

b, A wcdma/HSPA signal with bandwidth of 5MHz are created by the vector generator R&S SMU200A.

c, RBW=10kHz, VBW=300kHz, and integrated by the instrument to 200kHz for TM1 and TM2.

6.1.5 Conclusion

The equipment **PASSED** the requirement of this clause.

6.2 Conducted Power of Transmitter

6.2.1 Test Conditions

Table 17 Test Conditions

Preconditioning:	0.5 hour
Measured at:	Antenna connector
Ambient temperature:	25 °C
Relative humidity:	52 %
Test Configurations:	TM1/TM2 at frequency Bottom、 Middle、 Top

6.2.2 Test Specifications and Limits

6.2.2.1 Specification

CFR 47 (FCC) part 2.1047 and part 24 subpart E

6.2.2.2 Supporting Standards

Table 18 Supporting Standards:

ANSI/TIA-603-C:2004	Land Mobile FM or PM Communications Equipment Measurement and Performance Standards
3GPP TS51.010 V5.4.0	Digital cellular telecommunications system; Mobile Station (MS) conformance specification;

6.2.2.3 Limits

Compliance with part 24.232, in no any case may the peak power of a mobile station transmitter exceed 2 W. The calculated longitude EIRP by following formula:

$$EIRP \text{ (dBm)} = 10 * \log (EIRP_{in \text{ mWatts}}).$$

And for conducted power, we can use Antenna Gain to calculate the limit. So the conducted power:

$$P_{cod.} \text{ (dBm)} = EIRP \text{ (dBm)} - \text{Gain} \text{ (dBi)}$$

and $\text{Gain} \text{ (dBi)} = \text{Gain} \text{ (dBd)} + 2.15 \text{ dB}$

Table 19 Limits

Maximum Output Power (Watts)	< 2 Watts(33dBm)
Antenna Gain(dBi):	2.5
Maximum Conducted Output Power (dBm)	< 30.5dBm

6.2.3 Test Method and Setup

(a)For transmitters other than single sideband, independent sideband and controlled carrier radiotelephone, Conducted maximum power shall be measured when the transmitter is adjusted in accordance with the tune-up procedure to give the values of current and voltage on the circuit elements

specified in 2.1033(c)(8). Connect the Mobile Phone to the wireless communication tester CMU200 via the antenna connector. The band is set as PCS1900M.
(b)Test the Conducted maximum output power by the CMU200.

Test setup

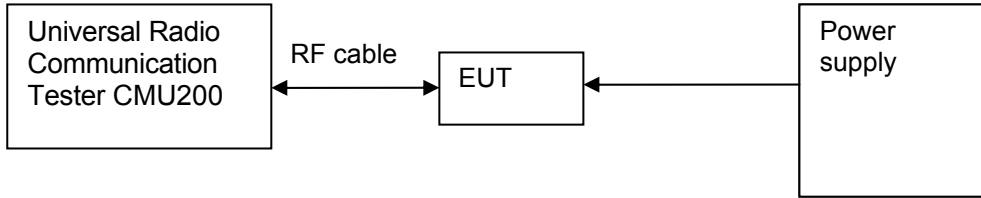


Figure 2. Test Set-up

6.2.4 Measurement Results

Table 20 Measurement Results

TEST CONDITIONS		RF Output Power(Conducted)					
		Channel512(B) 1850.2MHz		Channel661 (M) 1880MHz		Channel810(T) 1909.8MHz	
		dBm		dBm		dBm	
		Measured	Limit	Measured	Limit	Measured	Limit
TM1	T _{nom} (25 °C) V _{nom} (3.7V)	29.39	30.5	29.61	30.5	29.86	30.5
TM2	T _{nom} (25 °C) V _{nom} (3.7V)	24.52	30.5	24.73	30.5	24.91	30.5

6.2.5 Conclusion

The equipment **PASSED** the requirement of this clause.

6.3 Modulation Characteristics

6.3.1 Test Conditions

Table 21 Test Conditions

Preconditioning:	0.5 hour
Measured at:	Antenna connector
Ambient temperature:	25 °C
Relative humidity:	52 %
Test Configurations:	TM1/TM2 at frequency Middle

6.3.2 Test Specifications and Limits

6.3.2.1 Specification

CFR 47 (FCC) part 2.1047 and part 24 subpart E

6.3.2.2 Supporting Standards

Table 22 Supporting Standards:

ANSI/TIA-603-C:2004	Land Mobile FM or PM Communications Equipment Measurement and Performance Standards
3GPP TS51.010 V5.4.0	Digital cellular telecommunications system; Mobile Station (MS) conformance specification;

6.3.2.3 Limits

No specific modulation characteristics requirement limits in part 2.1047 and part 24 subpart E.

Table 23 Limits

Limits	Not applicable
--------	----------------

6.3.3 Test Method and Setup

Connect the Mobile Phone to Universal Radio Communication Tester CMU200 via the antenna connector. The frequency band is set as PCS1900M; the Mobile Phone's output is matched with 50 Ω load, test method was according to 3GPP TS 51.010 and TS 34.121. The waveform quality and constellation of the Mobile Phone was tested.

Test setup

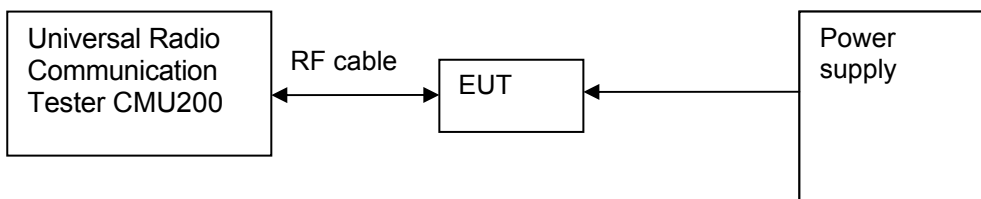




Figure 3. Test Set-up

6.3.4 Measurement Results

Table 24 Measurement Results

TEST CONDITIONS		Modulation Characteristic	
		Channel 661(M) 1880MHz	
		Measured	
		TM1	TM2
T _{nom} (25 °C)	V _{nom} (3.7V)	Refer to Appendix A	Refer to Appendix A

6.3.5 Conclusion

The equipment **PASSED** the requirement of this clause.
For the measurement results refer to Appendix A.

6.4 Occupied Bandwidth

6.4.1 Test Conditions

Table 25 Test Conditions

Preconditioning:	0.5 hour
Measured at:	Antenna connector
Ambient temperature:	25 °C
Relative humidity:	55 %
Test Configurations:	TM1/TM2 at frequency Bottom、 Middle、 Top

6.4.2 Test Specifications and Limits

6.4.2.1 Specification

CFR 47 (FCC) part 2.1049 and part 24 subpart E

6.4.2.2 Supporting Standards

Table 26 Supporting Standards:

ANSI/TIA-603-C:2004	Land Mobile FM or PM Communications Equipment Measurement and Performance Standards
3GPP TS51.010 V5.4.0	Digital cellular telecommunications system; Mobile Station (MS) conformance specification;

6.4.2.3 Limits

No specific occupied bandwidth requirement in part 24 subpart E, but the occupied bandwidth was defined in part 2.1049: the frequency bandwidth such that, below its lower and above its upper frequency limits, the mean powers radiated are each equal to 0.5 percent of the total mean power radiated by a given emission shall be measured.

Table 27 Limits

Upper /lower frequency limits	0.5% of the mean power
-------------------------------	------------------------

6.4.3 Test Method and Setup

Mobile Phone was connected to the wireless spectrum analyzer R&S FSU26 via the one RF connector. The band class is set as PCS1900M; The EUT was controlled to transmit maximum power. Measure and record the occupied bandwidth of the EUT by the R&S FSU26.

The OBW, that is the frequency bandwidth such that, below its lower and above its upper frequency limits, the mean powers radiated are each equal to 0.5 percent of the total mean power radiated by a given emission shall be measured under the following conditions as applicable:

Refer to 47CFR part2.1049 section (g)&(h).

(g) Transmitter in which the modulating base band comprises not more than three independent channels - when modulated by the full complement of signals for which the transmitter is rated. The level of modulation for each channel should be set to that prescribed in rule parts applicable to the

services for which the transmitter is intended. If specific modulation levels are not set forth in the rules, the tests should provide the manufacturer's maximum rated condition.

(h) Transmitters employing digital modulation techniques - when modulated by an input signal such that its amplitude and symbol rate represent the maximum rated conditions under which the equipment will be operated. The signal shall be applied through any filter networks, pseudorandom generators or other devices required in normal service. Additionally, the occupied bandwidth shall be shown for operation with any devices used for modifying the spectrum when such devices are optional at discretion of the user.

For TM1/TM2 following RBW and VBW are employed:
Measurement bandwidth (RBW): 3 kHz (Resolution bandwidth)
Video bandwidth (VBW): 10 kHz

Test Set-up

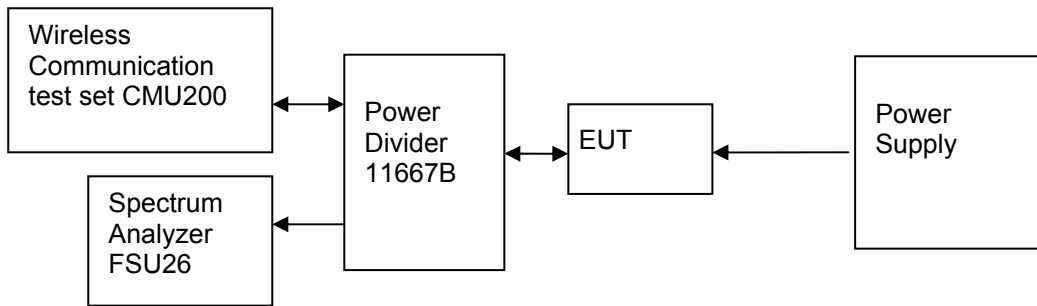


Figure 4. Test Set-up

6.4.4 Measurement Results

Table 28 Measurement Results

TEST CONDITIONS		Occupied Bandwidth					
		Channel512 (B) 1850.2MHz		Channel661 (M) 1880MHz		Channel810 (T) 1909.8MHz	
		Measured (kHz)		Measured (kHz)		Measured (kHz)	
		TM1	TM2	TM1	TM2	TM1	TM2
T _{nom} (25 °C)	99%	245.19	241.99	243.59	245.19	246.79	241.99
V _{nom} (3.7V)							

6.4.5 Conclusion

The equipment **PASSED** the requirement of this clause.
For the measurement results refer to appendix B.

6.5 Band Edges Compliance

6.5.1 Test Conditions

Table 29 Test Conditions

Preconditioning:	0.5 hour
Measured at:	Antenna connector
Ambient temperature:	25°C
Relative humidity:	55 %
Test Configurations:	TM1/TM2 at frequency Bottom、 Top

6.5.2 Test Specifications and Limits

6.5.2.1 Specification

CFR 47 (FCC) part 2.1051 and part 24.238

6.5.2.2 Supporting Standards

Table 30 Supporting Standards:

ANSI/TIA-603-C:2004	Land Mobile FM or PM Communications Equipment Measurement and Performance Standards
3GPP TS51.010 V5.4.0	Digital cellular telecommunications system; Mobile Station (MS) conformance specification;

6.5.2.3 Limits

Compliance with part 24.238, all spurious emission must be attenuated below the transmitter power by at least $43 + 10 \log_{10} P$ (W) . (Whereas P is the rated power of the EUT).

Table 31 Limits

	TM1	TM2
Rated Power:	30 dBm	26 dBm
Required attenuation:	$43 + 10 \log(1) = 43$, 30 dBm - 43 dB	$43 + 10 \log(0.4) = 39$, 26 dBm - 39 dB
Absolute level	- 13 dBm	- 13 dBm

6.5.3 Test Method and Setup

The EUT was connected to the wireless spectrum analyzer R&S FSU26 via the one RF connector, the band class is set as PCS1900M. The EUT was controlled to transmit maximum power. Measure and record band edges compliance of the EUT by the R&S FSU26.

The limit is -13dBm.

For TM1/TM2 following RBW and VBW are employed:
 Measurement bandwidth (RBW): 3 kHz (Resolution bandwidth)
 Video bandwidth (VBW): 10 kHz

Test Set-up

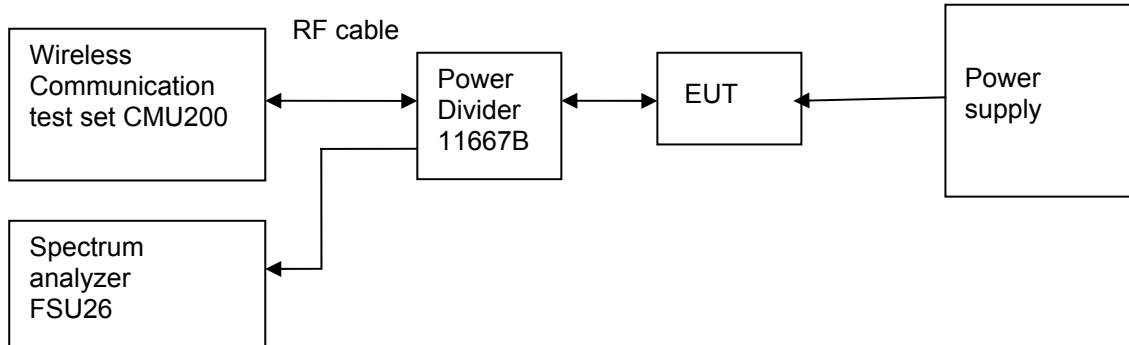


Figure 5. Test Set-up

6.5.4 Measurement Results

Table 32 Measurement Results outside Band Edges

Band	Frequency of Band edges [MHz]	Channel Number	Test Mode	Spurious Level measured [dBm]	FCC limit	Result
T_{nom} (25 °C), V_{nom} (3.7V)						
PCS	1850.2	512	TM1	<-13(See appendix C)	- 13 dBm	Pass
	1909.8	810	TM1	<-13(See appendix C)	- 13 dBm	Pass
	1850.2	512	TM2	<-13(See appendix C)	- 13 dBm	Pass
	1909.8	810	TM2	<-13(See appendix C)	- 13 dBm	Pass

6.5.5 Conclusion

The equipment **PASSED** the requirement of this clause.
 For the measurement results refer to appendix C.

6.6 Spurious Emission at Antenna Terminal

6.6.1 Test Conditions

Table 33 Test Conditions

Preconditioning:	0.5 hour
Measured at:	Antenna connector
Ambient temperature:	25°C
Relative humidity:	50 %
Test Configurations:	TM1/TM2 at frequency Bottom, Middle, Top

6.6.2 Test Specifications and Limits

6.6.2.1 Specification

CFR 47 (FCC) part 2.1051 and part 24.238

6.6.2.2 Supporting Standards

Table 34 Supporting Standards:

ANSI/TIA-603-C:2004	Land Mobile FM or PM Communications Equipment Measurement and Performance Standards
3GPP TS51.010 V5.4.0	Digital cellular telecommunications system; Mobile Station (MS) conformance specification;

6.6.2.3 Limits

Compliance with part 24.238, all spurious emission must be attenuated below the transmitter power by at least $43 + 10 \log_{10} P$. (Whereas P is the rated power of the EUT in Watt).

Table 35 Limits for GPRS Mode

	TM1	TM2
Rated Power:	30 dBm	26 dBm
Required attenuation:	$43 + 10 \log(1) = 43$, 30 dBm - 43 dB	$43 + 10 \log(0.4) = 39$, 26 dBm - 39 dB
Absolute level	- 13 dBm	- 13 dBm

6.6.3 Test Method and Setup

The EUT was connected to the wireless spectrum analyzer R&S FSU26 via the one RF connector, the band class is set as PCS1900M. The EUT was controlled to transmit maximum power. Measure and record the Conducted Spurious Emission of the EUT by the R&S FSU26.

According to part 24.238, the defined measurement bandwidth as following:

24.238 (b) Measurement procedure: Compliance with these provisions is based on the use of

measurement instrumentation employing a resolution bandwidth of 1 MHz or greater.

Measurement bandwidth (RBW) for 9 kHz up to 150 kHz: 1 kHz;
Measurement bandwidth (RBW) for 150 kHz up to 30MHz: 10 kHz;
Measurement bandwidth (RBW) for 30 MHz up to 20GHz: 1MHz;

Test Set-up

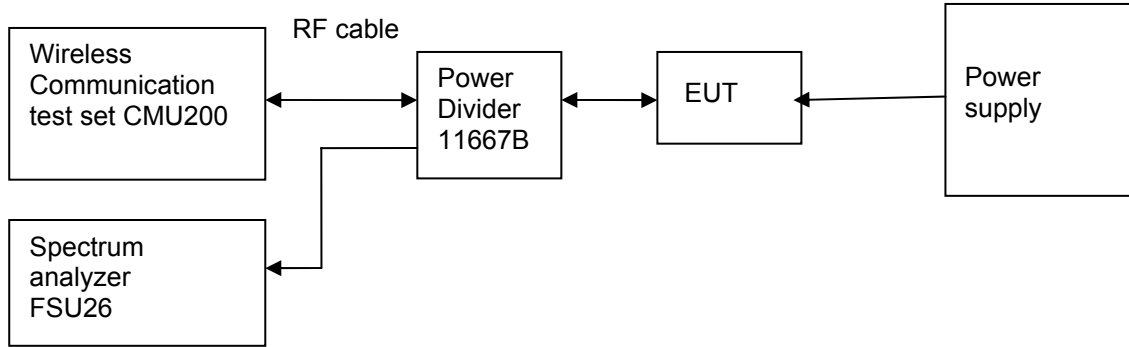


Figure 6. Test Set-up

6.6.4 Measurement Results

Table 36 Measurement Results

Channel Number	Test Mode	Test Range (Frequency)	Output Power [dBm]	Spurious Level measured [dBm]	FCC limit	Result
Channel 512(B)	TM1	9 kHz~20GHz	30	<- 13 dBm (See appendix D)	- 13 dBm	Pass
	TM2	9 kHz~20GHz	26	<- 13 dBm (See appendix D)	- 13 dBm	Pass
Channel 661(M)	TM1	9 kHz~20GHz	30	<- 13 dBm (See appendix D)	- 13 dBm	Pass
	TM2	9 kHz~20GHz	26	<- 13 dBm (See appendix D)	- 13 dBm	Pass
Channel 810(T)	TM1	9 kHz~20GHz	30	<- 13 dBm (See appendix D)	- 13 dBm	Pass
	TM2	9 kHz~20GHz	26	<- 13 dBm (See appendix D)	- 13 dBm	Pass

6.6.5 Conclusion

The equipment **PASSED** the requirement of this clause.
For the measurement results refer to appendix D.



6.7 Frequency Stability

6.7.1 Test Conditions

Table 37 Test Conditions

Preconditioning:	0.5 hour
Measured at:	Antenna connector
Ambient temperature:	See below
Relative humidity:	55 % at 25 °C
Test Configurations:	TM1/TM2 at frequency Middle

6.7.2 Test Specifications and Limits

6.7.2.1 Specification

CFR 47 (FCC) part 2.1055 and part 24.235

6.7.2.2 Supporting Standards

Table 38 Supporting Standards:

ANSI/TIA-603-C:2004	Land Mobile FM or PM Communications Equipment Measurement and Performance Standards
3GPP TS51.010 V5.4.0	Digital cellular telecommunications system; Mobile Station (MS) conformance specification;

6.7.2.3 Limits

No specific frequency stability requirement in part 2.1055 and part 24.235.

6.7.3 Test Method and Setup

The frequency stability shall be measured with variation of ambient temperature as follows:

- (1) From -30 ° to +50 ° centigrade for all equipment except that specified in subparagraphs (2) and (3) of paragraph 2.1055

(b) Frequency measurements shall be made at the extremes of the specified temperature range and at intervals of not more than 10° centigrade through the range. A period of time sufficient to stabilize all of the components of the oscillator circuit at each temperature level shall be allowed prior to frequency measurement. The short-term transient effects on the frequency of the transmitter due to keying (except for broadcast transmitters) and any heating element cycling normally occurring at each ambient temperature level also shall be shown. Only the portion or portions of the transmitter containing the frequency determining and stabilizing circuitry need be subjected to the temperature variation test.

(d) The frequency stability shall be measured with variation of primary supply voltage as follows:

- (1) Vary primary supply voltage from 85 to 115 percent of the nominal value for other than hand carried battery equipment.
- (2) For hand carried, battery powered equipment, reduce primary supply voltage to the battery operating end point, which shall be specified by the manufacturer. Mobile phone can work normally from 3.5V to 4.2V, test below is done according to this limit.
- (3) The supply voltage shall be measured at the input to the cable normally provided with the equipment, or at the power supply terminals if cables are not normally provided. Effects on frequency of transmitter keying (except for broadcast transmitters) and any heating element cycling at the nominal supply voltage and at each extreme also shall be shown.

(e) When deemed necessary, the Commission may require tests of frequency stability under conditions in addition to those specifically set out in paragraphs (a), (b), (c) and (d) of this section. (For example, measurements showing the effect of proximity to large metal objects, or of various types of antennas, may be required for portable equipment.)

Test Set up

Connect the EUT to the Wireless Communication test set CMU200 via the connector. Then measure the frequency error by the Wireless Communication test set CMU200. The EUT's output is matched with a 50 Ω load.

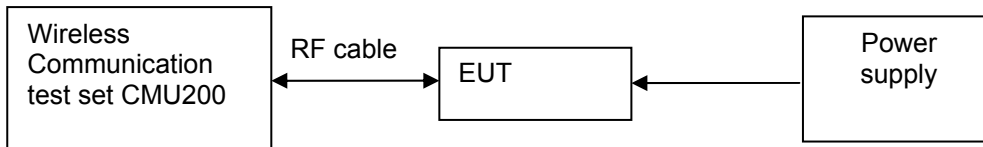


Figure 7. Test Set up

6.7.4 Measurement Results

6.7.4.1 Measurement Results vs. Variation of Temperature

- **TM1, 3.7V DC Channel No.661(1880.0MHz)**

Table 39 Measurement Results vs. Variation of Temperature

Temperature	Power (dBm)	Nominal Frequency (MHz)	Measured Frequency Error(Hz)	Result
-30 °C	30	1880.0	2	Pass
-20 °C	30	1880.0	9	Pass
-10 °C	30	1880.0	16	Pass
0 °C	30	1880.0	-1	Pass
+10 °C	30	1880.0	6	Pass
+20 °C	30	1880.0	-4	Pass
+30 °C	30	1880.0	-12	Pass
+40 °C	30	1880.0	11	Pass
+50 °C	30	1880.0	7	Pass

- **TM2, 3.7V DC Channel No.661(1880.0MHz)**

Table 40 Measurement Results vs. Variation of Temperature

Temperature	Power (dBm)	Nominal Frequency	Measured Frequency Error(Hz)	Result
-------------	-------------	-------------------	------------------------------	--------

		(MHz)		
-30 °C	26	1880.0	13	Pass
-20 °C	26	1880.0	5	Pass
-10 °C	26	1880.0	-3	Pass
0 °C	26	1880.0	-14	Pass
+10 °C	26	1880.0	6	Pass
+20 °C	26	1880.0	12	Pass
+30 °C	26	1880.0	-9	Pass
+40 °C	26	1880.0	5	Pass
+50 °C	26	1880.0	1	Pass

6.7.4.2 Measurement Results vs. Variation of Voltage

- **TM1, 25 °C ,Channel No. 661(1880.0MHz)**

Table 41 Measurement Results vs. Variation of Voltage

Voltage	Power (dBm)	Nominal Frequency (MHz)	Measured Frequency Error(Hz)	Result
3.5	30	1880.0	14	Pass
3.7	30	1880.0	-13	Pass
4.2	30	1880.0	-2	Pass

- **TM2, 25 °C ,Channel No. 661(1880.0MHz)**

Table 42 Measurement Results vs. Variation of Voltage

Voltage	Power (dBm)	Nominal Frequency (MHz)	Measured Frequency Error(Hz)	Result
3.5	26	1880.0	10	Pass
3.7	26	1880.0	9	Pass
4.2	26	1880.0	-15	Pass

6.7.5 Conclusion

The equipment **PASSED** the requirement of this clause.



7 System Measurement Uncertainty

For a 95% confidence level, the measurement expanded uncertainties for defined systems, in accordance with the recommendations of ISO 17025 as following:

Table 43 System Measurement Uncertainty

Items		Extended Uncertainty
Effective Isotropically Radiated Power of Transmitter	EIRP (dBm)	U=3dB; k=2
Band Width	Magnitude (%)	U=0.2%; k=2
Band Edge Compliance	Disturbance Power(dBm)	U=2.0dB; k=2
Conducted Spurious Emission at Antenna Terminal	Disturbance Power(dBm)	U=2.0dB; k=2
Frequency Stability	Frequency Accuracy(ppm)	U=0.21ppm; k=2



8 Appendices

Appendix A	Measurement Results Modulation Characteristics	3 pages
Appendix B	Measurement Results Occupied Bandwidth	7 pages
Appendix C	Measurement Results Band Edges Compliance	5 pages
Appendix D	Measurement Results Spurious Emission at Antenna Terminal	25 pages

(END OF REPORT)