

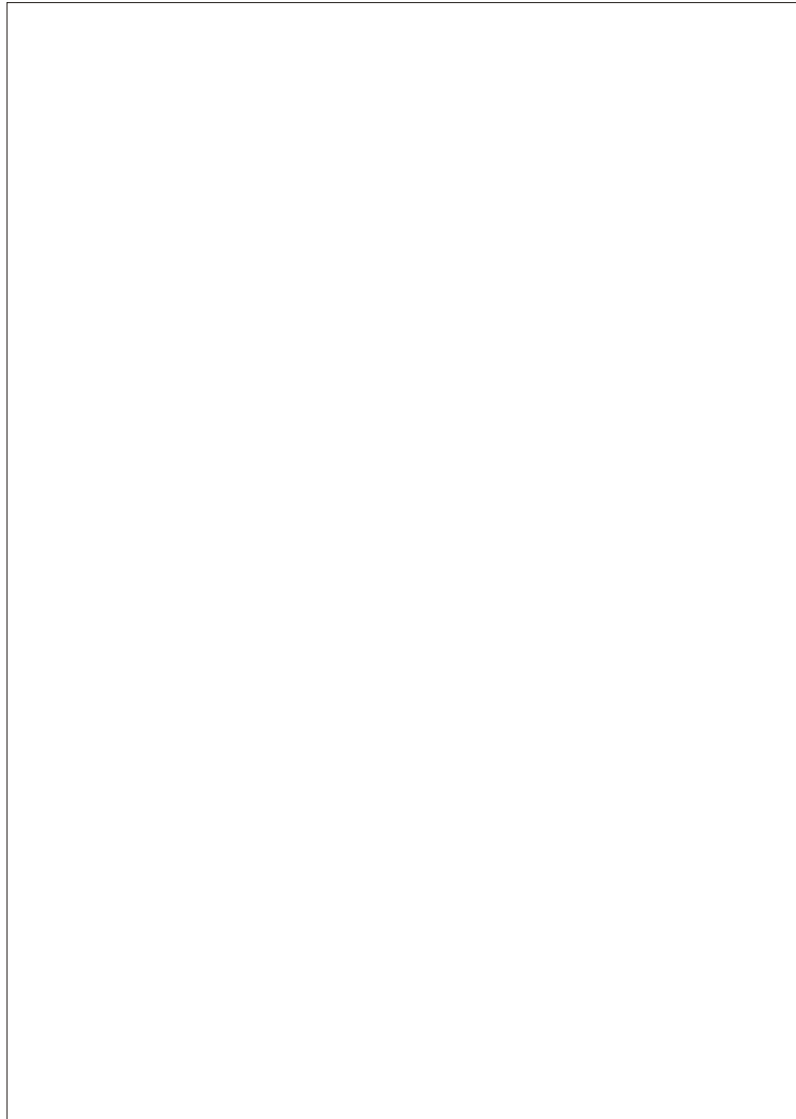
JENSEN

JCR-570



OPERATING INSTRUCTIONS

PLEASE READ THIS OPERATING MANUAL COMPLETELY BEFORE OPERATING THIS UNIT AND RETAIN THIS BOOKLET FOR FUTURE REFERENCE



PRODUCT INTRODUCTION

JRC-570 is a multi-function model, which incorporated following features.

- wireless indoor / outdoor temperature reader. It operates in the 433MHz frequency. The outdoor transmitter measures outdoor temperature and transmits data to the indoor main unit for temperature reading display. A temperature sensor also built in the main unit for the indoor temperature measurement.
- It is also a time piece unit featuring Clock, Dual alarm timer.
- It is an AM/FM radio allows you to listen all local broadcast radio stations in your area.

COMPLIANCE WITH FCC REGULATIONS

This device complies with Part 15 of the FCC Rules. Operation is subject to the following two conditions: (1) This device may not cause harmful interference, and (2) this device must accept any interference received, including interference that may cause undesired operation.

In accordance with FCC requirements, changes or modifications to this unit not expressly approved by the party responsible for compliance could void the user's authority to operate the equipment.

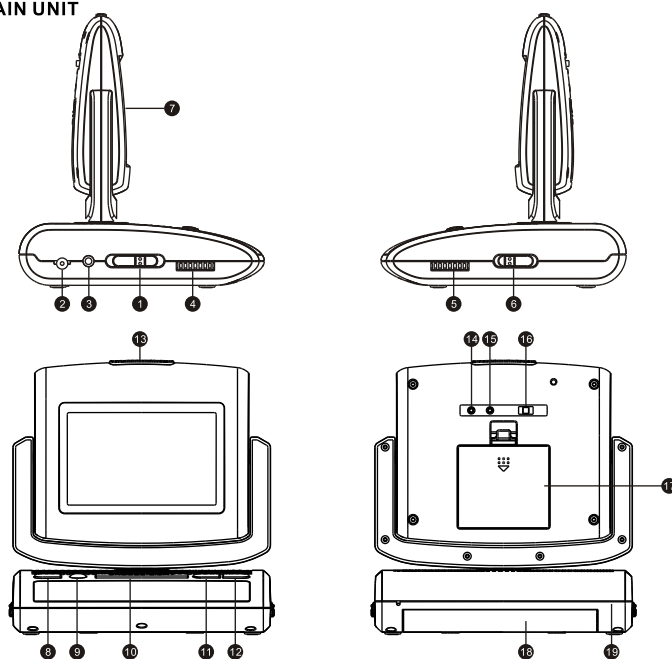
NOTE:

This equipment has been tested and found to comply with the limits for a Class B digital device, pursuant to Part 15 of the FCC Rules. These limits are designed to provide reasonable protection against harmful interference in a residential installation. This equipment generates, uses, and can radiate radio frequency energy and, if not installed and used in accordance with the instructions, may cause harmful interference to radio communications. However, there is no guarantee that interference will not occur in a particular installation. If this equipment does cause harmful interference to radio or television reception, which can be determined by turning the equipment off and on, the user is encouraged to try to correct the interference by one or more of the following measures:

- Reorient or relocate the receiving antenna.
- Increase the separation between the equipment and receiver.
- Connect the equipment into an outlet on a circuit different from that to which the receiver is connected.
- Consult the dealer or an experienced radio/TV technician for assistance.

FUNCTIONS AND CONTROLS

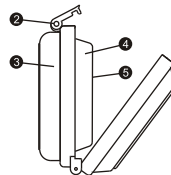
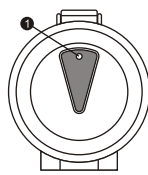
MAIN UNIT



1. **POWER ON/OFF** switch
2. **DC Adaptor Input Jack**
3. **Stereo Phones Jack**
4. **VOLUME** knob
5. **TUNING** knob
6. **AM/FM band** switch
7. **LCD display**
8. **MODE** button
9. **REPORT** button
10. **SNOOZE/LIGHT** button

11. **HOUR** button
12. **MIN** button
13. **ALARM ON/OFF** button
14. **SYNC** button
15. **RESET** button
16. **DIM/LIGHT** switch
17. **Clock Battery Compartment**
18. **Radio Battery Compartment**
19. **FM Antenna wire**

OUTDOOR TRANSMITTER

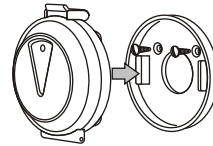


1. Transmit indicator
2. Locking knob
3. Wall Mount Bracket
4. RESET button
(under the battery cover)
5. Battery Cover

INSTALLATION

Outdoor Transmitter

The Outdoor Transmitter is supplied with a **Wall Mount Bracket** that may be attached to a wall by screw or double sided adhesive tape. The Outdoor Transmitter can be clicked in & out the **Wall Mount Bracket** easily.



POWER SOURCE

Battery Operation

For Clock section of the main unit:

1. Open the **Clock battery compartment** cover.
2. Follow the polarity diagram shown inside the battery compartment; insert 4 x AAA size batteries (not included).
3. Close the **battery compartment** cover.

For Radio section of the main unit:

1. Open the **Radio battery compartment** cover.
2. Follow the polarity diagram shown inside the battery compartment; insert 4 x AA size batteries (not included).
3. Close the **battery compartment** cover.

Note: Without installing battery in the Radio battery compartment, where the Alarm timer function cannot be operated (wake to Radio/Alarm sound).

For Outdoor Transmitter unit:

1. Release the **Locking knob** of the Outdoor Transmitter.
2. Remove **Battery Cover**.
3. Follow the polarity diagram shown inside the battery compartment; insert 3 x AAA size batteries (not included).