

V7E-SP, V7E-VP Label, Typical

LoJack Corporation

Confidential

FCC ID: IDIEW3VLU-07

5501-11XX-01

Rev. XX

08100



CM 01400503203682

05AA213

FCCID: IDIEW3VLU-07 IDIEW3-07

THIS DEVICE COMPLIES WITH PART 15 OF THE FCC RULES. OPERATION IS SUBJECT TO THE CONDITION THAT THIS DEVICE DOES NOT CAUSE HARMFUL INTERFERENCE.

Made in Malaysia

5501-11XX-01

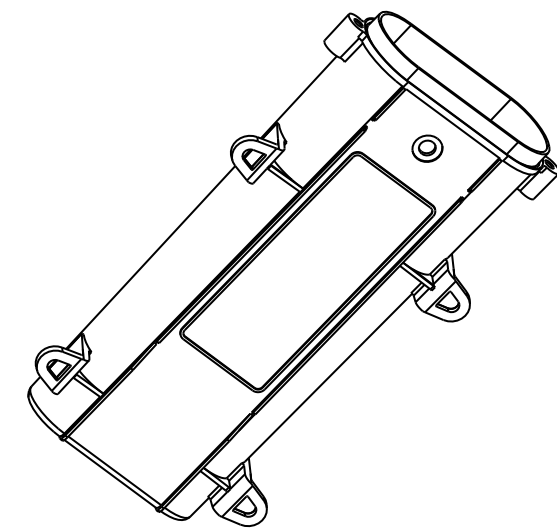
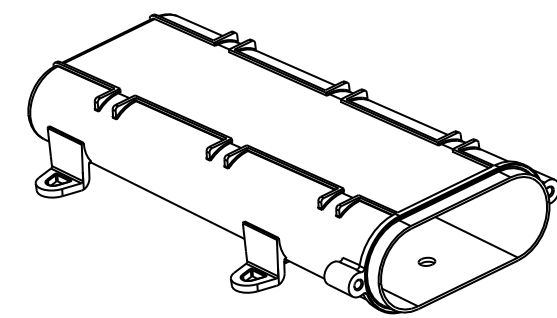
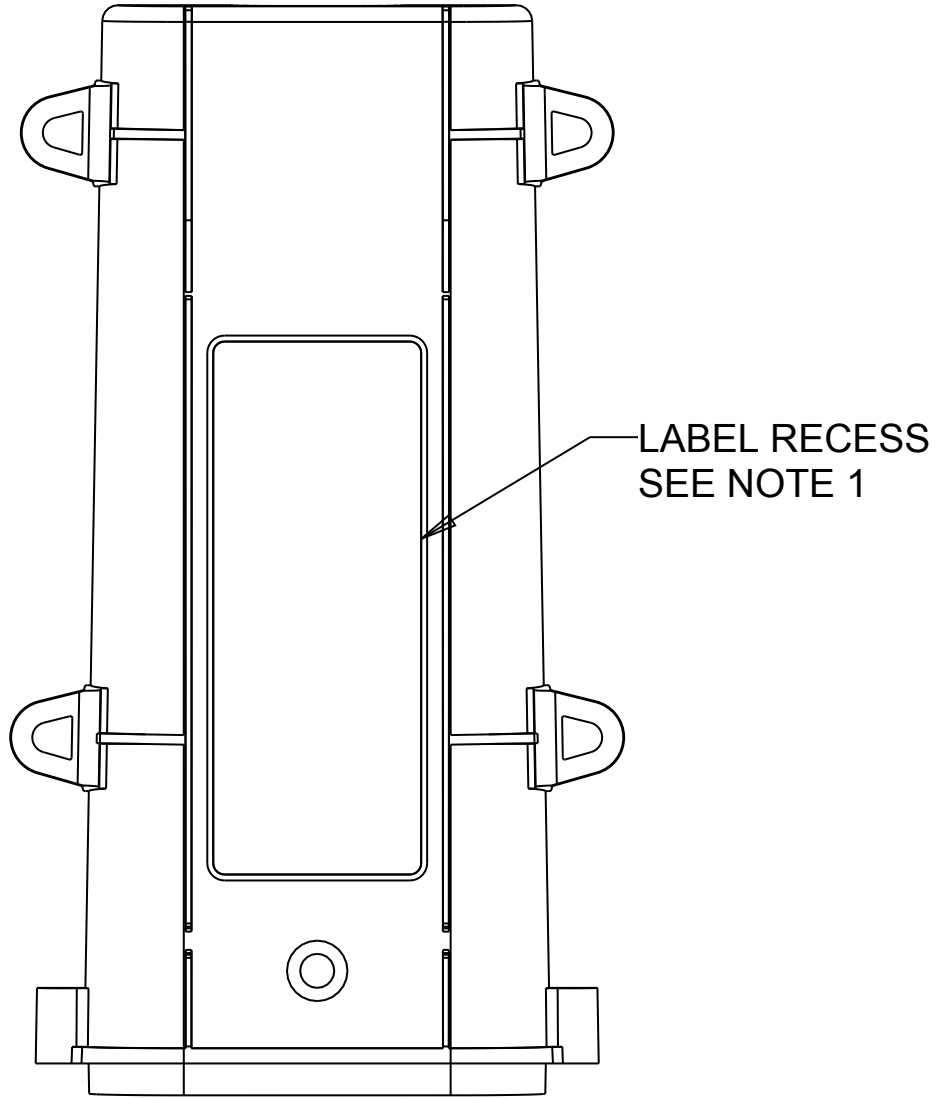
Rev. "23"

08100





REVISION HISTORY			
REV	DESCRIPTION	DATE	APVD
A	RELEASED PER ECO # 1211	4-JAN-10	



SCALE 0.500

Notes:
1. Refer to LoJack V7E Unit label specification 9005-0087-00

PART NO. 9005-0087-AD

DRAWN AMD 4-JAN-10		DATE 4-JAN-10		LOJACK TOLERANCES UNLESS OTHERWISE SPECIFIED .X ± 0.1 .XX ± 0.01 .XXX ± 0.005 ANGLES ± 0.5	780 DEDHAM STREET, CANTON, MA 02021			THIS DOCUMENT AND THE INFORMATION CONTAINED HEREIN IN ANY MEDIA FORMAT IS PROPRIETARY INFORMATION TO LOJACK CORPORATION. THE INFORMATION SHALL NOT BE REPRODUCED OR DISTRIBUTED WITHOUT WRITTEN AUTHORIZATION FROM LOJACK CORPORATION.	
CHECKER -- --		DATE -- --			TITLE V7E label on housing			NEXT ASSEMBLY	
ENG. AMD 4-JAN-10		DATE 4-JAN-10			SIZE B	SCALE 1.000	PART NUMBER 9005-0087-AD		REV A SHT 1 OF 1

