

**EXHIBIT 4**

**Block Diagram**

**&**

**Schematics**

## 4. Block diagram

### 4.1. Receiver

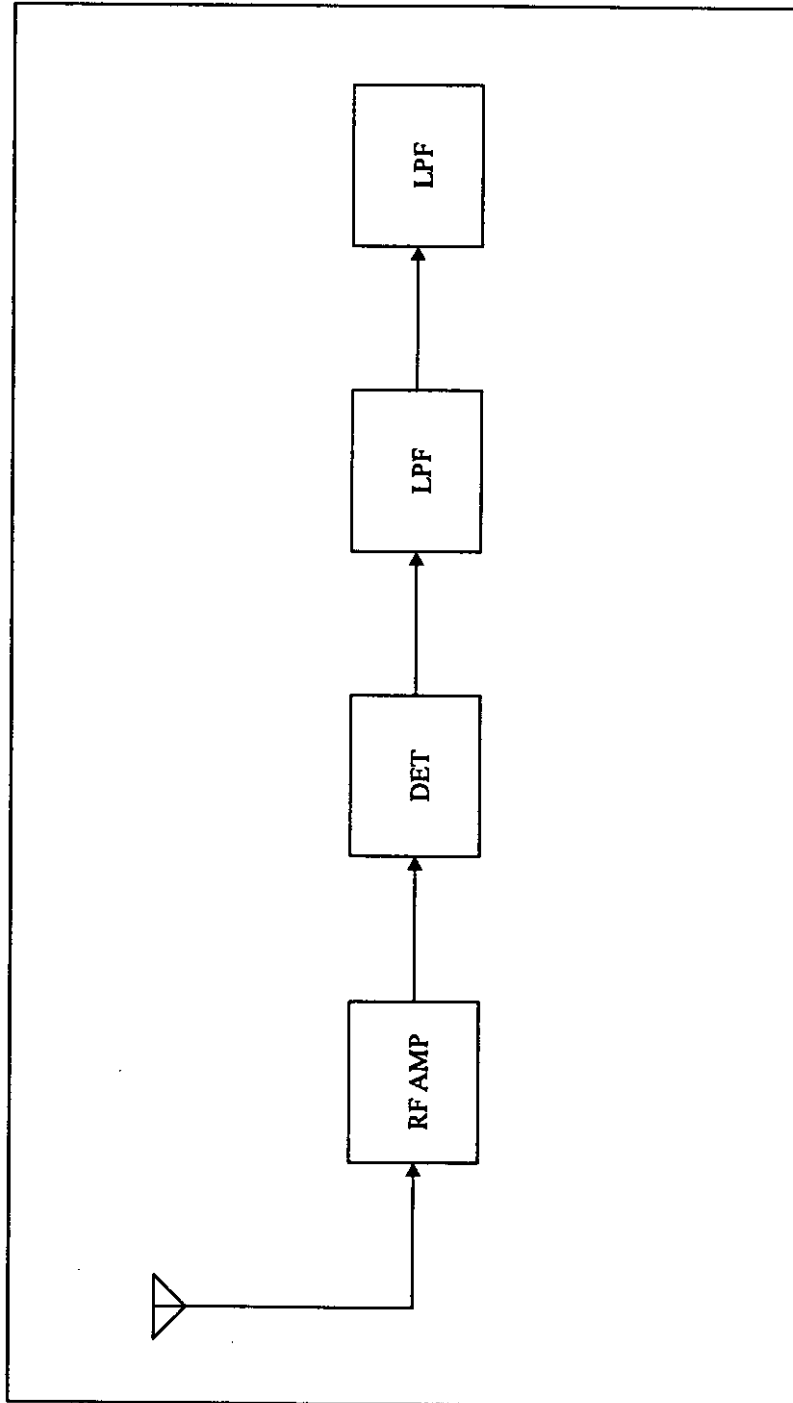


Fig. Block diagram of receiver

## 5. Circuit diagram

### 5.1 Receiver

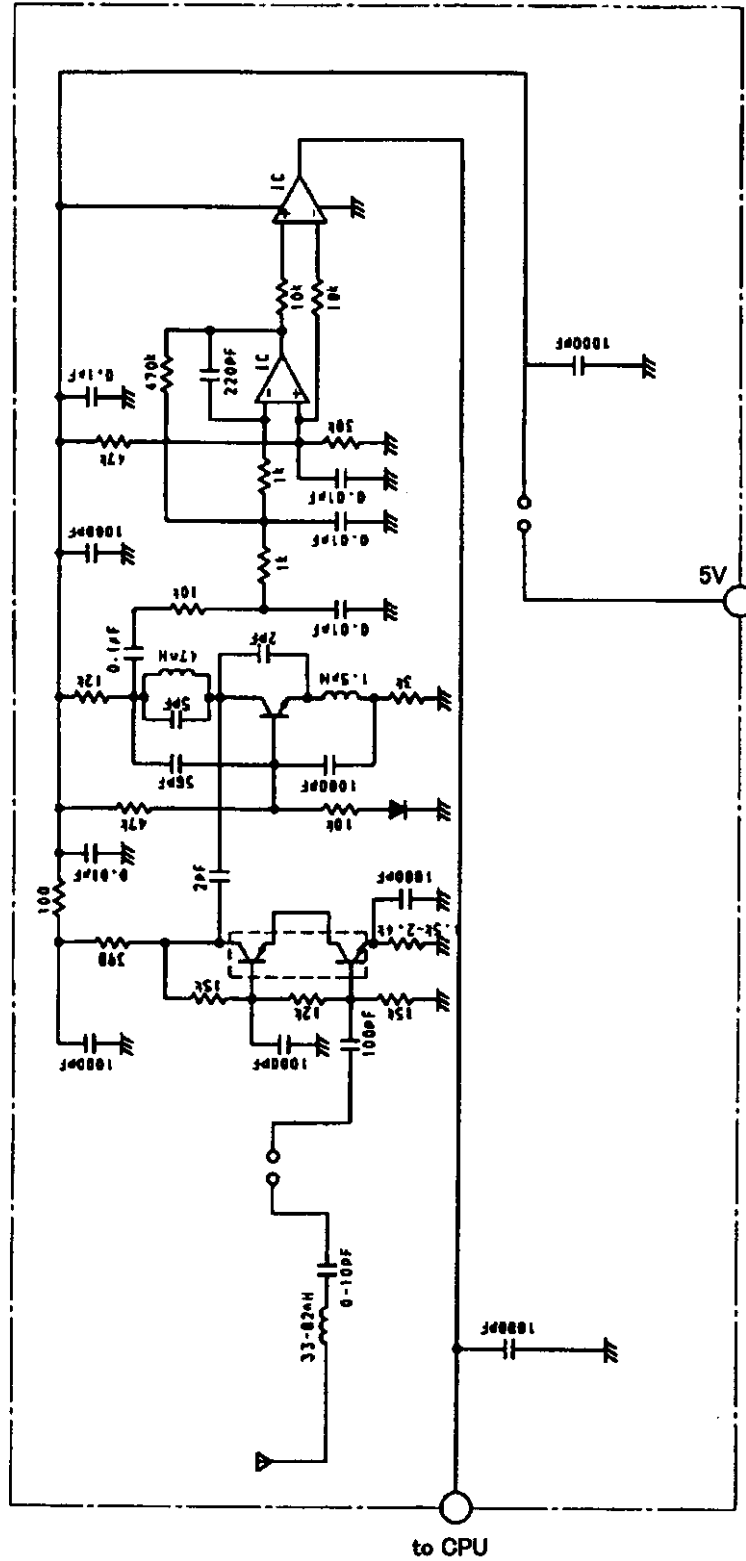


Fig. Circuit diagram of receiver

# DENSO

## 6. Component listing

### 6.1. Receiver

Part Name	Description	Number of Units
IC	-	1
Transistor	-	2
Diode	-	1
Inductor	33 - 82nH	1
Inductor	47nH	1
Inductor	1.5 $\mu$ H	1
Capacitor	0 - 10pF	2
Capacitor	2pF	1
Capacitor	5pF	1
Capacitor	56pF	1
Capacitor	220pF	1
Capacitor	100pF	7
Capacitor	1000pF	4
Capacitor	0.01 $\mu$ F	2
Capacitor	0.1 $\mu$ F	1
Resistor	100 $\Omega$	1
Resistor	390 $\Omega$	2
Resistor	1k $\Omega$	1
Resistor	1.5 - 2.4k $\Omega$	1
Resistor	3k $\Omega$	4
Resistor	10k $\Omega$	2
Resistor	12k $\Omega$	2
Resistor	15k $\Omega$	1
Resistor	30k $\Omega$	2
Resistor	47k $\Omega$	1
Resistor	470k $\Omega$	1
Antenna	-	2
Jumper	-	