

## **System Check\_Head\_835MHz\_110805**

### **DUT: Dipole 835 MHz**

Communication System: CW; Frequency: 835 MHz; Duty Cycle: 1:1

Medium: HSL\_850\_110805 Medium parameters used:  $f = 835$  MHz;  $\sigma = 0.881$  mho/m;  $\epsilon_r = 42.2$ ;  $\rho = 1000$

kg/m<sup>3</sup>

Ambient Temperature : 22.6 ; Liquid Temperature : 21.6

#### DASY5 Configuration:

- Probe: EX3DV4 - SN3792; ConvF(8.93, 8.93, 8.93); Calibrated: 2011/6/20
- Sensor-Surface: 4mm (Mechanical Surface Detection)
- Electronics: DAE3 Sn577; Calibrated: 2011/1/13
- Phantom: SAM-Back; Type: QD 000 P40 C; Serial: TP-1383
- Measurement SW: DASY5, V5.0 Build 125; SEMCAD X Version 13.4 Build 125

**Pin=250mW/Area Scan (61x61x1):** Measurement grid: dx=15mm, dy=15mm

Maximum value of SAR (interpolated) = 2.6 mW/g

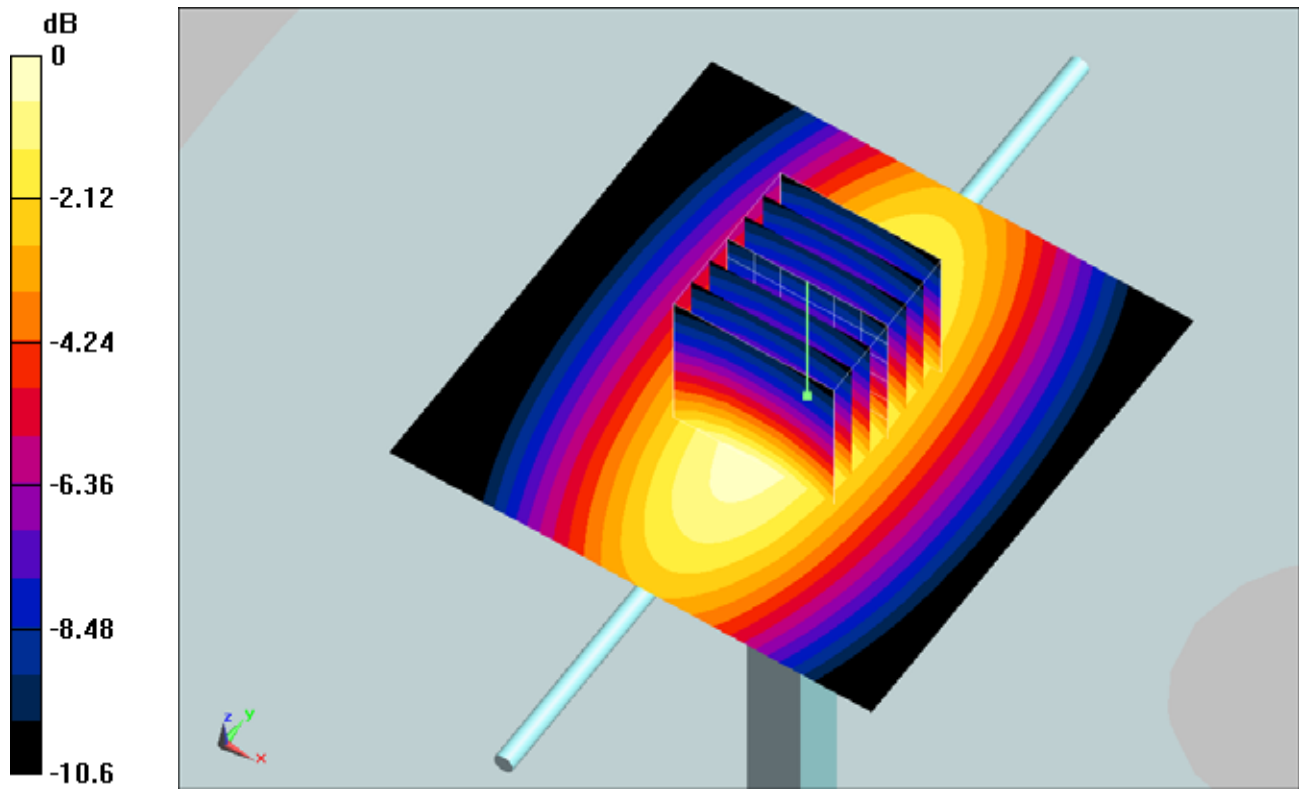
**Pin=250mW/Zoom Scan (7x7x7)/Cube 0:** Measurement grid: dx=5mm, dy=5mm, dz=5mm

Reference Value = 54.2 V/m; Power Drift = -0.024 dB

Peak SAR (extrapolated) = 3.7 W/kg

**SAR(1 g) = 2.43 mW/g; SAR(10 g) = 1.58 mW/g**

Maximum value of SAR (measured) = 2.63 mW/g



0 dB = 2.63mW/g

## **System Check\_Head\_835MHz\_110805**

### **DUT: Dipole 835 MHz**

Communication System: CW; Frequency: 835 MHz; Duty Cycle: 1:1

Medium: HSL\_850\_110805 Medium parameters used:  $f = 835$  MHz;  $\sigma = 0.878$  mho/m;  $\epsilon_r = 42.2$ ;  $\rho = 1000$

kg/m<sup>3</sup>

Ambient Temperature : 22.6 ; Liquid Temperature : 21.6

### **DASY5 Configuration:**

- Probe: ET3DV6 - SN1787; ConvF(6.71, 6.71, 6.71); Calibrated: 2011/5/20
- Sensor-Surface: 4mm (Mechanical Surface Detection)
- Electronics: DAE4 Sn778; Calibrated: 2010/10/22
- Phantom: SAM-Back; Type: QD 000 P40 C; Serial: TP-1383
- Measurement SW: DASY5, V5.0 Build 125; SEMCAD X Version 13.4 Build 125

**Pin=250mW/Area Scan (61x61x1):** Measurement grid: dx=15mm, dy=15mm

Maximum value of SAR (interpolated) = 2.5 mW/g

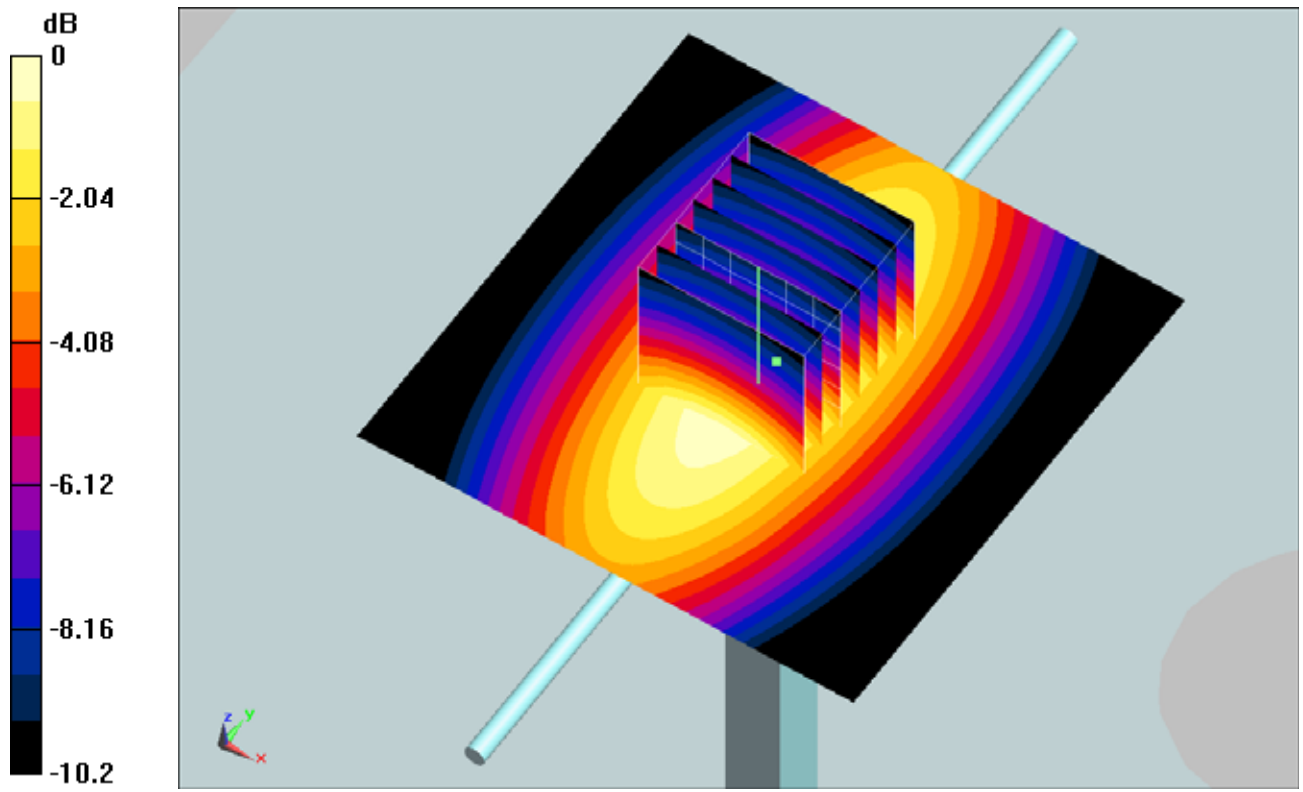
**Pin=250mW/Zoom Scan (7x7x7)/Cube 0:** Measurement grid: dx=5mm, dy=5mm, dz=5mm

Reference Value = 55.8 V/m; Power Drift = 0.029 dB

Peak SAR (extrapolated) = 3.23 W/kg

**SAR(1 g) = 2.31 mW/g; SAR(10 g) = 1.53 mW/g**

Maximum value of SAR (measured) = 2.49 mW/g



0 dB = 2.49mW/g

### System Check\_Body\_835MHz\_110805

#### DUT: Dipole 835 MHz

Communication System: CW; Frequency: 835 MHz; Duty Cycle: 1:1

Medium: MSL\_850\_110805 Medium parameters used:  $f = 835 \text{ MHz}$ ;  $\sigma = 0.963 \text{ mho/m}$ ;  $\epsilon_r = 54.5$ ;  $\rho = 1000 \text{ kg/m}^3$

Ambient Temperature :  $22.6 \text{ }^\circ\text{C}$ ; Liquid Temperature :  $21.6 \text{ }^\circ\text{C}$

#### DASY4 Configuration:

- Probe: EX3DV4 - SN3792; ConvF(9.02, 9.02, 9.02); Calibrated: 2011/6/20
- Sensor-Surface: 4mm (Mechanical Surface Detection)
- Electronics: DAE3 Sn577; Calibrated: 2011/1/13
- Phantom: SAM-Right; Type: QD 000 P40 C; Serial: TP-1383
- Measurement SW: DASY4, V4.7 Build 80; Postprocessing SW: SEMCAD, V1.8 Build 186

**Pin=250mW/Area Scan (61x61x1):** Measurement grid:  $dx=15\text{mm}$ ,  $dy=15\text{mm}$

Maximum value of SAR (interpolated) =  $2.60 \text{ mW/g}$

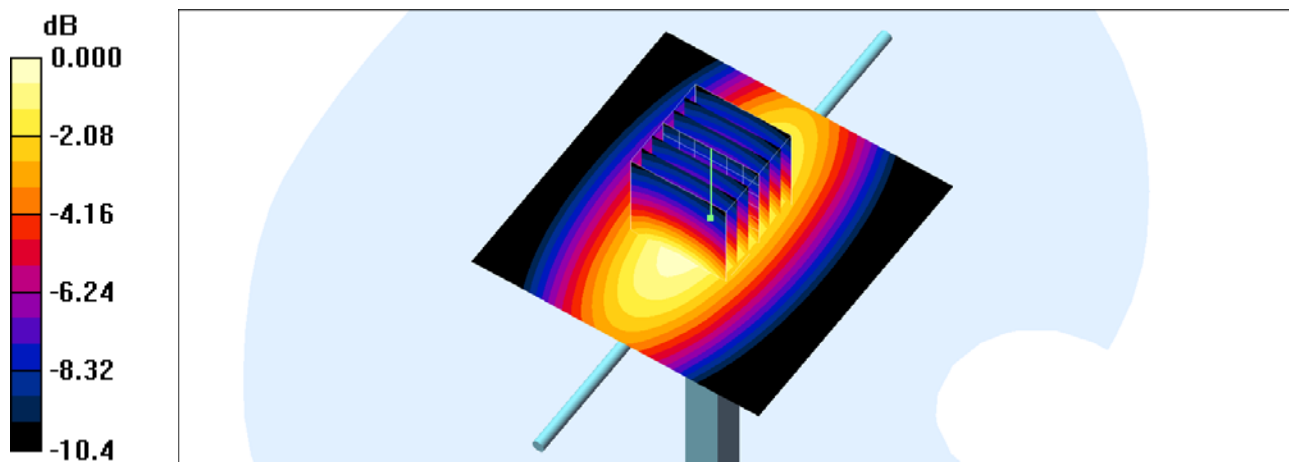
**Pin=250mW/Zoom Scan (7x7x7)/Cube 0:** Measurement grid:  $dx=5\text{mm}$ ,  $dy=5\text{mm}$ ,  $dz=5\text{mm}$

Reference Value =  $51.9 \text{ V/m}$ ; Power Drift =  $0.063 \text{ dB}$

Peak SAR (extrapolated) =  $3.67 \text{ W/kg}$

**SAR(1 g) =  $2.44 \text{ mW/g}$ ; SAR(10 g) =  $1.59 \text{ mW/g}$**

Maximum value of SAR (measured) =  $2.63 \text{ mW/g}$



0 dB =  $2.63\text{mW/g}$

## **System Check\_Body\_835MHz\_110805**

### **DUT: Dipole 835 MHz**

Communication System: CW; Frequency: 835 MHz; Duty Cycle: 1:1

Medium: MSL\_850\_110805 Medium parameters used:  $f = 835 \text{ MHz}$ ;  $\sigma = 0.967 \text{ mho/m}$ ;  $\epsilon_r = 54.2$ ;  $\rho = 1000$

$\text{kg/m}^3$

Ambient Temperature : 22.4 ; Liquid Temperature : 21.4

#### **DASY5 Configuration:**

- Probe: ET3DV6 - SN1787; ConvF(6.35, 6.35, 6.35); Calibrated: 2011/5/20
- Sensor-Surface: 4mm (Mechanical Surface Detection)
- Electronics: DAE4 Sn778; Calibrated: 2010/10/22
- Phantom: ELI 4.0; Type: QDOVA001BA; Serial: 1029
- Measurement SW: DASY5, V5.0 Build 125; SEMCAD X Version 13.4 Build 125

**Pin=250mW/Area Scan (61x61x1):** Measurement grid: dx=15mm, dy=15mm

Maximum value of SAR (interpolated) = 2.82 mW/g

**Pin=250mW/Zoom Scan (7x7x7)/Cube 0:** Measurement grid: dx=5mm, dy=5mm, dz=5mm

Reference Value = 56.4 V/m; Power Drift = -0.029 dB

Peak SAR (extrapolated) = 3.58 W/kg

**SAR(1 g) = 2.59 mW/g; SAR(10 g) = 1.73 mW/g**

Maximum value of SAR (measured) = 2.81 mW/g

## System Check\_Head\_1900MHz\_110804

### DUT: Dipole 1900 MHz

Communication System: CW; Frequency: 1900 MHz; Duty Cycle: 1:1

Medium: HSL\_1900\_110804 Medium parameters used:  $f = 1900$  MHz;  $\sigma = 1.45$  mho/m;  $\epsilon_r = 38.5$ ;  $\rho = 1000$  kg/m<sup>3</sup>

Ambient Temperature : 22.3 °C ; Liquid Temperature : 21.3 °C

DASY4 Configuration:

- Probe: EX3DV4 - SN3792; ConvF(7.76, 7.76, 7.76); Calibrated: 2011/6/20
- Sensor-Surface: 4mm (Mechanical Surface Detection)
- Electronics: DAE3 Sn577; Calibrated: 2011/1/13
- Phantom: SAM-Right; Type: QD 000 P40 C; Serial: TP-1383
- Measurement SW: DASY4, V4.7 Build 80; Postprocessing SW: SEMCAD, V1.8 Build 186

**Pin=250mW/Area Scan (91x91x1):** Measurement grid: dx=10mm, dy=10mm

Maximum value of SAR (interpolated) = 11.0 mW/g

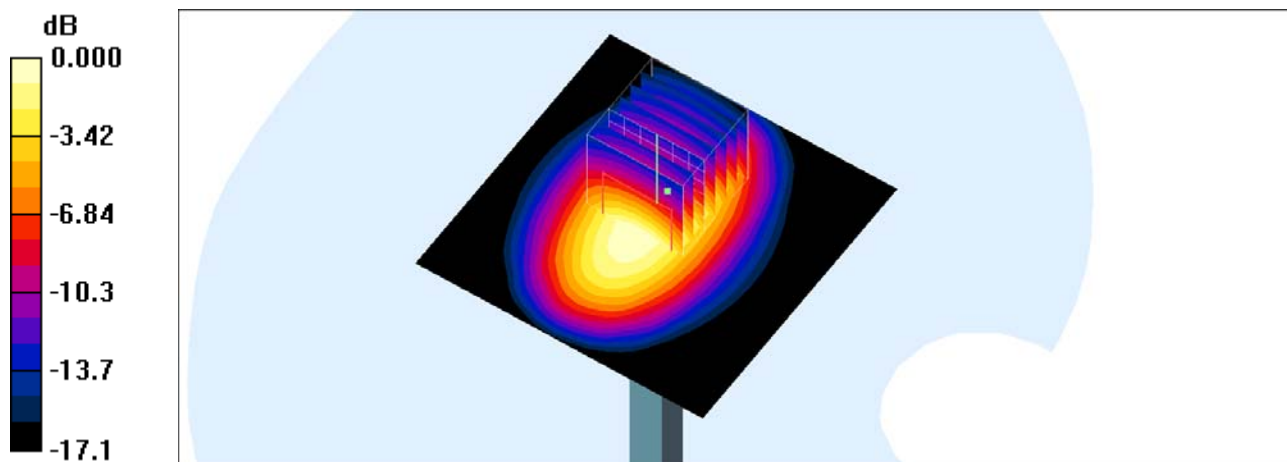
**Pin=250mW/Zoom Scan (7x7x7)/Cube 0:** Measurement grid: dx=5mm, dy=5mm, dz=5mm

Reference Value = 84.4 V/m; Power Drift = 0.082 dB

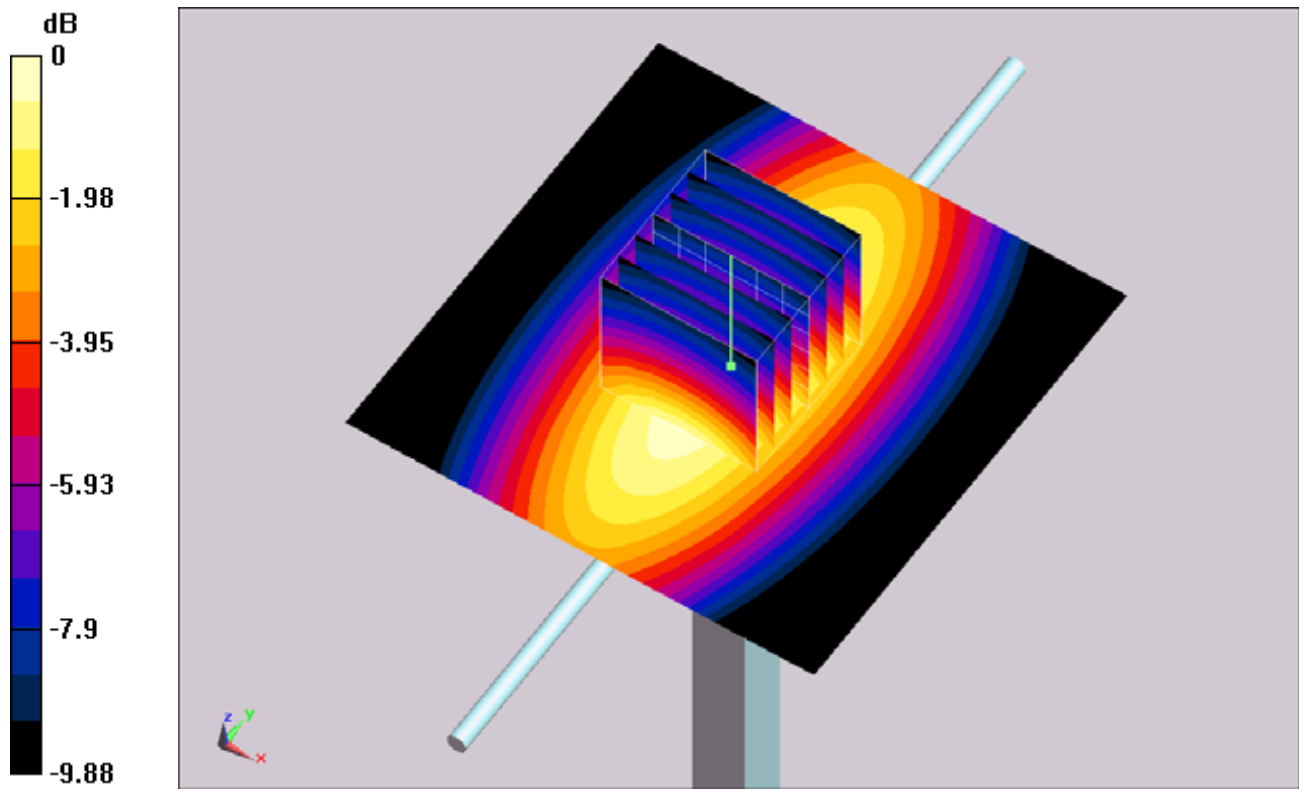
Peak SAR (extrapolated) = 18.2 W/kg

**SAR(1 g) = 9.91 mW/g; SAR(10 g) = 5.46 mW/g**

Maximum value of SAR (measured) = 10.9 mW/g



0 dB = 10.9mW/g



0 dB = 2.81mW/g



### System Check\_Body\_1900MHz\_110805

#### DUT: Dipole 1900 MHz

Communication System: CW; Frequency: 1900 MHz; Duty Cycle: 1:1

Medium: MSL\_1900\_110805 Medium parameters used:  $f = 1900$  MHz;  $\sigma = 1.55$  mho/m;  $\epsilon_r = 53$ ;  $\rho = 1000$  kg/m<sup>3</sup>

Ambient Temperature : 22.5 °C ; Liquid Temperature : 21.5 °C

#### DASY4 Configuration:

- Probe: EX3DV4 - SN3792; ConvF(7.17, 7.17, 7.17); Calibrated: 2011/6/20
- Sensor-Surface: 4mm (Mechanical Surface Detection)
- Electronics: DAE3 Sn577; Calibrated: 2011/1/13
- Phantom: SAM-Left; Type: QD 000 P40 C; Serial: TP-1477
- Measurement SW: DASY4, V4.7 Build 80; Postprocessing SW: SEMCAD, V1.8 Build 186

**Pin=250mW/Area Scan (91x91x1):** Measurement grid: dx=10mm, dy=10mm

Maximum value of SAR (interpolated) = 11.3 mW/g

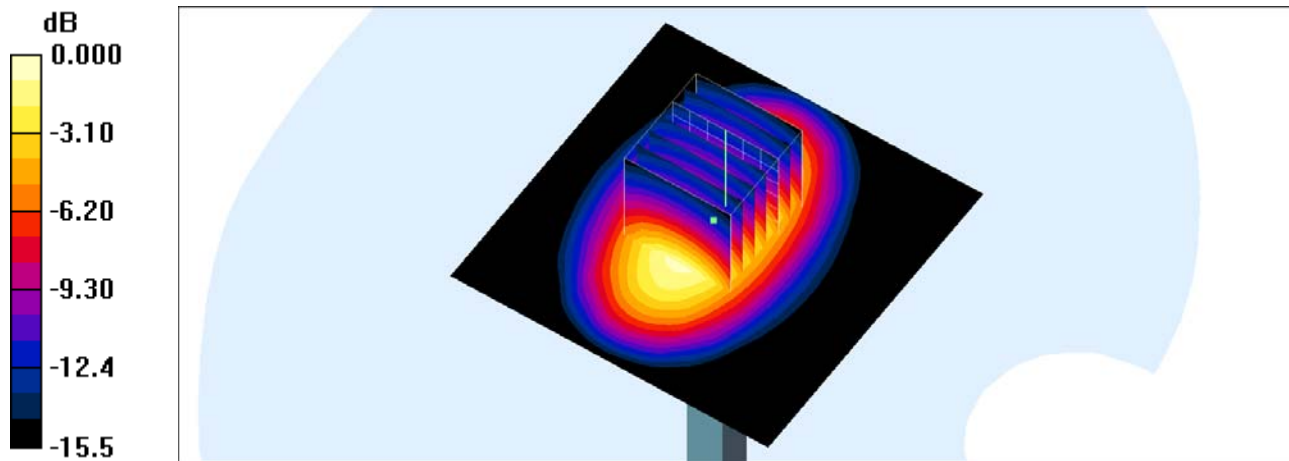
**Pin=250mW/Zoom Scan (7x7x7)/Cube 0:** Measurement grid: dx=5mm, dy=5mm, dz=5mm

Reference Value = 82.8 V/m; Power Drift = 0.077 dB

Peak SAR (extrapolated) = 18.7 W/kg

**SAR(1 g) = 10.2 mW/g; SAR(10 g) = 5.63 mW/g**

Maximum value of SAR (measured) = 11.2 mW/g



0 dB = 11.2mW/g

## System Check\_Head\_2450MHz\_110805

### DUT: Dipole 2450 MHz

Communication System: CW; Frequency: 2450 MHz; Duty Cycle: 1:1

Medium: HSL\_2450\_110805 Medium parameters used:  $f = 2450$  MHz;  $\sigma = 1.86$  mho/m;  $\epsilon_r = 39.2$ ;  $\rho = 1000$  kg/m<sup>3</sup>

Ambient Temperature : 22.5 °C ; Liquid Temperature : 21.5 °C

DASY4 Configuration:

- Probe: EX3DV4 - SN3578; ConvF(6.42, 6.42, 6.42); Calibrated: 2011-06-21
- Sensor-Surface: 4mm (Mechanical Surface Detection)
- Electronics: DAE3 Sn495; Calibrated: 2011-04-28
- Phantom: SAM\_Left; Type: SAM; Serial: TP-1150
- Measurement SW: DASY4, V4.7 Build 80; Postprocessing SW: SEMCAD, V1.8 Build 186

**Pin=250mW/Area Scan (91x91x1):** Measurement grid: dx=10mm, dy=10mm

Maximum value of SAR (interpolated) = 15.6 mW/g

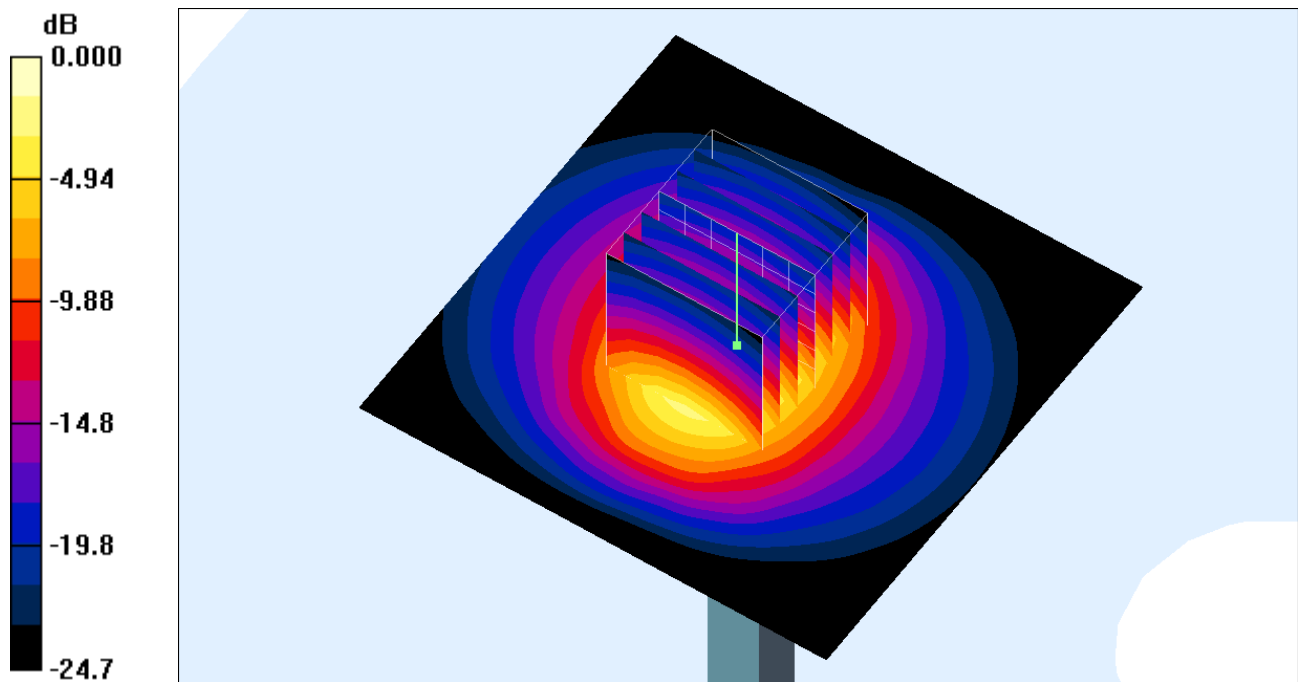
**Pin=250mW/Zoom Scan (7x7x7)/Cube 0:** Measurement grid: dx=5mm, dy=5mm, dz=5mm

Reference Value = 88.5 V/m; Power Drift = 0.123 dB

Peak SAR (extrapolated) = 31.2 W/kg

**SAR(1 g) = 13.5 mW/g; SAR(10 g) = 5.89 mW/g**

Maximum value of SAR (measured) = 15.3 mW/g



0 dB = 15.3mW/g

## System Check\_Body\_2450MHz\_110805

### DUT: Dipole 2450 MHz

Communication System: CW; Frequency: 2450 MHz; Duty Cycle: 1:1

Medium: MSL\_2450\_110805 Medium parameters used:  $f = 2450$  MHz;  $\sigma = 2.02$  mho/m;  $\epsilon_r = 53.9$ ;  $\rho = 1000$  kg/m<sup>3</sup>

Ambient Temperature : 22.5 °C ; Liquid Temperature : 21.5 °C

DASY4 Configuration:

- Probe: EX3DV4 - SN3578; ConvF(6.18, 6.18, 6.18); Calibrated: 2011-06-21
- Sensor-Surface: 4mm (Mechanical Surface Detection)
- Electronics: DAE3 Sn495; Calibrated: 2011-04-28
- Phantom: SAM\_Right; Type: SAM; Serial: TP-1303
- Measurement SW: DASY4, V4.7 Build 80; Postprocessing SW: SEMCAD, V1.8 Build 186

**Pin=250mW/Area Scan (61x61x1):** Measurement grid: dx=15mm, dy=15mm  
Maximum value of SAR (interpolated) = 16.3 mW/g

**Pin=250mW/Zoom Scan (7x7x7)/Cube 0:** Measurement grid: dx=5mm, dy=5mm, dz=5mm  
Reference Value = 85.4 V/m; Power Drift = 0.006 dB  
Peak SAR (extrapolated) = 30.3 W/kg  
**SAR(1 g) = 13.4 mW/g; SAR(10 g) = 5.98 mW/g**  
Maximum value of SAR (measured) = 14.9 mW/g

