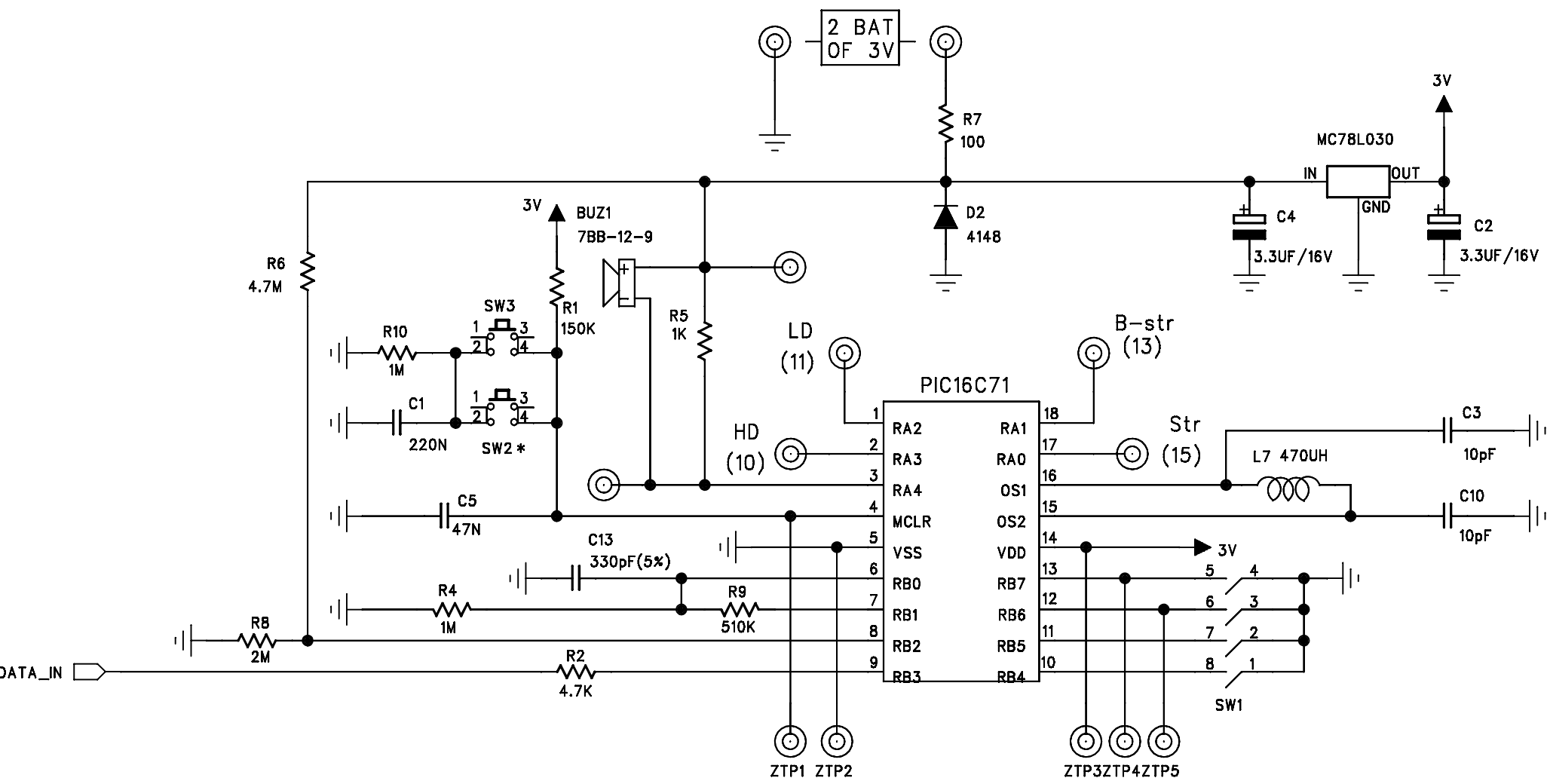


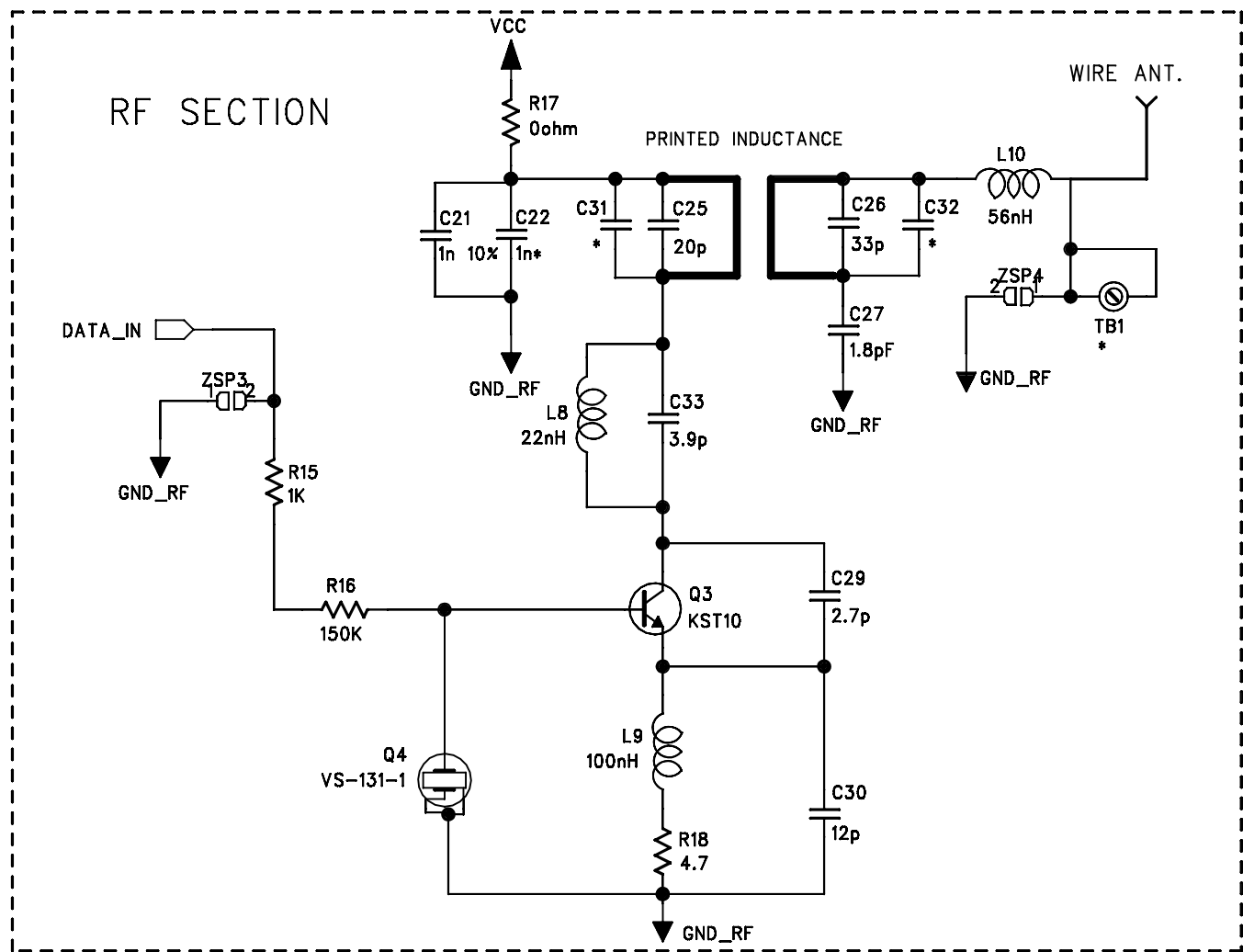
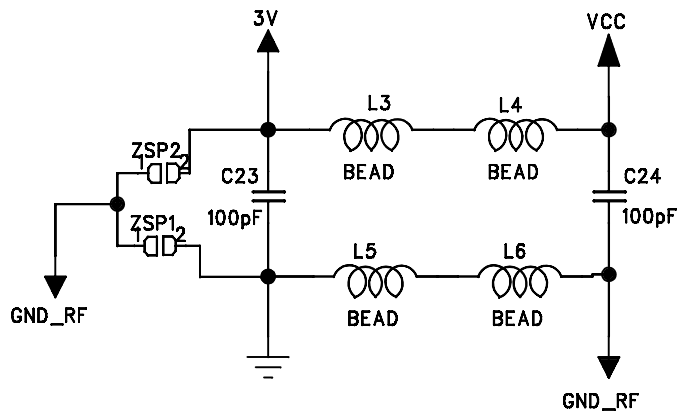
RFT-1A  
Transmitter



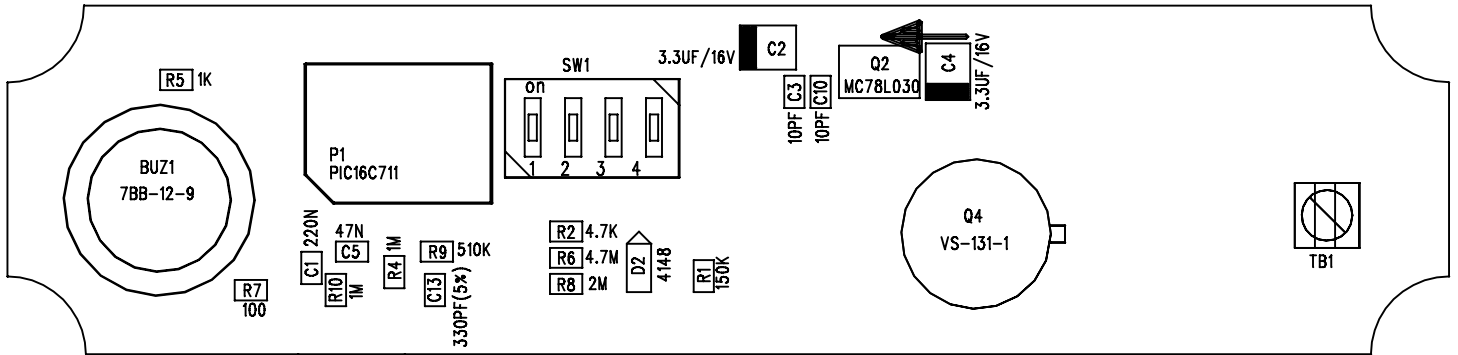
**CONFIDENTIAL**

This document contains information which is proprietary to Visonic Ltd. Israel. The use, copy or dissemination of this material for any purpose other than that which it is intended, is prohibited without the prior written consent of Visonic Ltd. Date Released: to whom:

<b>VISONIC LTD.</b>			PRODUCT NAME: SPD-1000 (315)		UPD	ECOs
			DRAWING TYPE: SCHEMATIC DIAGRAM		1	E-02-209
APX.2-1-3	NAME	DATE	SIGNATURE	PCB Rev:A DOC Rev:10	2	
DESIGNED	BorisZ	30.12.99		CATALOG NO: E-3652-2	3	
DREW	ANDREI K.	22.05.01		DRAWING NO: EE-3652-2-10	4	
UPDATED				CAD FILE: EE3652210.SCH	5	
APPROVED	MICKY L.	06.03.02		SHEET #/OF: 1 / 2	6	



<b>CONFIDENTIAL</b>			<b>VISIONIC LTD.</b>		PRODUCT NAME: SPD-1000 (315)	UPD	ECOs
					DRAWING TYPE: SCHEMATIC DIAGRAM		1
This document contains information which is proprietary to Visonic Ltd. Israel. The use, copy or dissemination of this material for any purpose other than that which it is intended, is prohibited without the prior written consent of Visonic Ltd. Date Released:                      to whom:	APX.2-1-3	NAME	DATE	SIGNATURE	PCB Rev:A    DOC Rev:10	2	
	DESIGNED	PINHASS I.	25.01.95		CATALOG NO: E-3652-2	3	
	DREW	Y.YEDIDYA	03.11.96		DRAWING NO: EE-3652-2-10	4	
	UPDATED				CAD FILE: EE36522A10.SCH	5	
	APPROVED	MICKY L.	06.03.02		SHEET #/OF: 2 / 2	6	



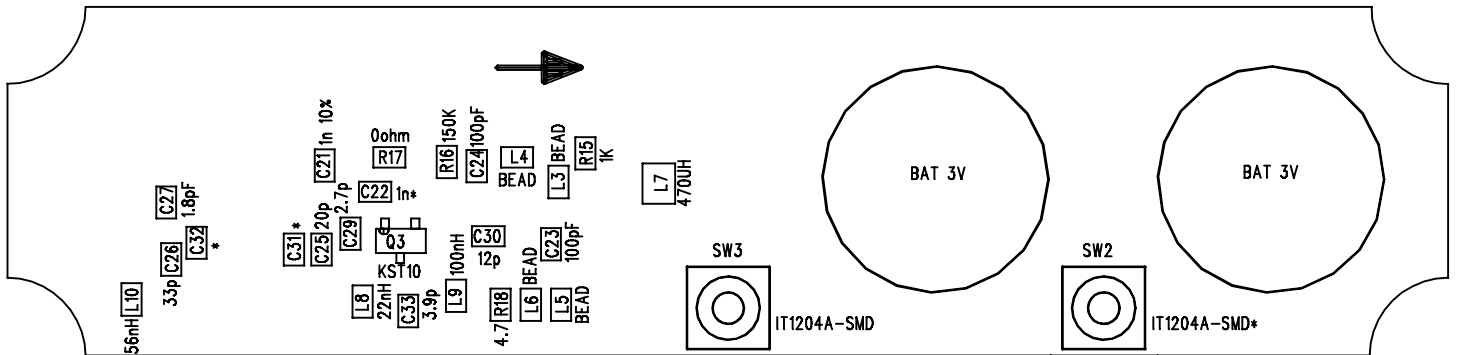
**CONFIDENTIAL**

This document contains information which is proprietary to Visonic Ltd. Israel. The use, copy or dissemination of this material for any purpose other than that which it is intended, is prohibited without the prior written consent of Visonic Ltd.

Date Released: to whom:



PRODUCT NAME: SPD-1000 (315)			UPD	ECOs		
DRAWING TYPE: C.S ASSEMBLY			1	E-02-209		
QA.2-1-3	NAME	DATE	SIGNATURE	PCB Rev:A	DOC Rev:10	2
DESIGNED	ANDREI K.	12.09.01		CATALOG NO:E-3652-2		3
DREW	ANDREI K.	12.09.01		DRAWING NO: EU-3652-2-10		4
UPDATED				CAD FILE: EU3652210.PLT		5
APPROVED	MICKY L.	06.03.02		SHEET #/OF: 1 / 1		6



**CONFIDENTIAL**

This document contains information which is proprietary to Visonic Ltd. Israel. The use, copy or dissemination of this material for any purpose other than that which it is intended, is prohibited without the prior written consent of Visonic Ltd. Date Released: to whom:



QA.2-1-3	NAME	DATE
DESIGNED	ANDREI K.	12.09.01
DREW	ANDREI K.	12.09.01
UPDATED		
APPROVED	MICKY L.	06.03.02

PRODUCT NAME:SPD-1000 (315)			UPD	ECOs
DRAWING TYPE: P.S ASSEMBLY			1	E-02-209
SIGNATURE	PCB Rev:A	DOC Rev:10	2	
	CATALOG NO: E-3652-2		3	
	DRAWING NO:EL-3652-2-10		4	
	CAD FILE:EL3652210.PLT		5	
	SHEET #/OF: 1 / 1		6	