

136121T & 136121R

AGITATOR 4x4

OWNER'S MANUAL

Please read before using this equipment.



RadioShack®

SUNCON TOYS INDUSTRY LTD

FCC ID #: GLE136121T

JOB #: 133H0

EXHIBIT #: 5A

TRUCK INTRODUCTION

The Agitator is built to handle the road, whether the road is the hallway in your house or the sidewalk outside. The built-in shock absorbers handle the rough spots, and the differential gear handles the corners.

Note: You need the following to power the Agitator.

- At least one 7.2-volt rechargeable battery pack (not supplied) for the truck.
- Two 9-volt batteries (not supplied) for the receiver (in the truck) and the transmitter
- One battery pack charger (not supplied)



NOTE

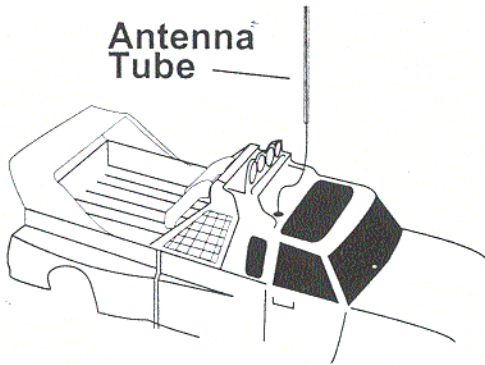
All batteries required for Agitator are available at your local RadioShack store.

PREPARATION

INSTALLING THE ANTENNA TUBE

Signals from the Agitator's transmitter control the truck's speed and direction. The truck receives those signals through the antenna wire, so it is important to set up the wire properly.

The supplied plastic antenna tube holds the antenna wire up for the best reception and range. Route the antenna wire's loose end through the tube. Then insert the tube securely into the truck's tube holder.



INSTALLING BATTERIES

Cautions:

- Use only fresh batteries of the required size and recommended type.
- Do not mix old and new batteries, different types of batteries (standard, alkaline, or rechargeable), or rechargeable batteries of different capacities.

SUNCON TOYS INDUSTRY LTD
FCC ID # : GLE136121T
JOB # : 133H0

EXHIBIT # : 5c

- If you will not be using the truck for a week or more, remove the batteries from both the transmitter and the truck. Batteries can leak chemicals that can damage electronic parts.
- Never leave dead or weak batteries in the transmitter or the truck.

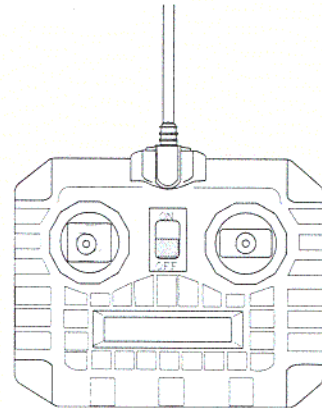
WARNING

Dispose of old batteries and the battery pack promptly and properly; do not burn or bury them.

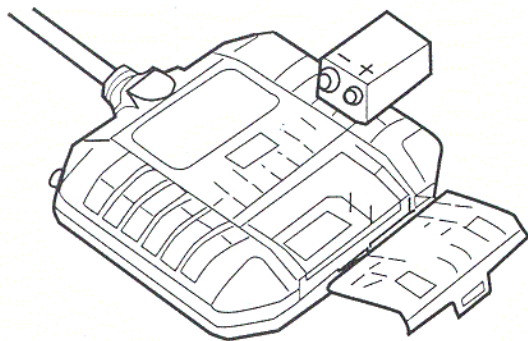
In the Transmitter

You need one 9-volt battery for the transmitter. For the best performance and longest life, we recommend an alkaline battery.

1. Slide the transmitter's ON/OFF switch to OFF.



2. Pull up the tab on the transmitter's bottom edge so the battery compartment cover pops off.



3. Put the battery in the compartment according to the polarity symbols (+ and -) marked inside.
4. Replace the cover and snap it shut.

When the transmitter's range decreases, replace its battery.

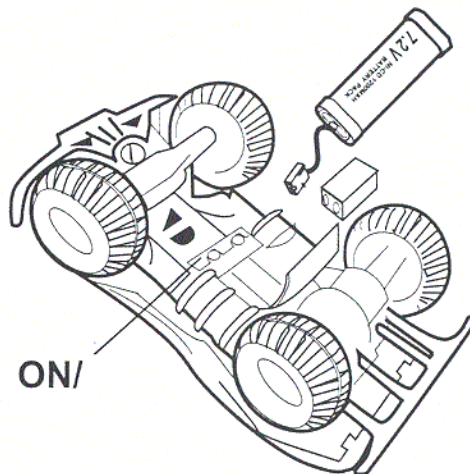
In the Truck

The Agitator requires one 9-volt battery for the receiver and at least one 7.2-volt rechargeable battery pack for the truck. You install both the 9-volt battery and the battery pack in the compartment under the truck.

Important: Before you use the battery pack, you must charge it using a special battery charger.

SUNCON TOYS INDUSTRY LTD
 FCC ID #: GLE136121T
 JOB #: 133H0

EXHIBIT #: 50



1. Slide the Agitator's **ON/OFF** switch to **OFF**.
2. Use a coin to turn the two latches on the battery compartment cover counterclockwise until they stop. Then lift it open.
3. Place the 9-volt battery in the battery compartment (on top of the ribbon) according to the polarity symbols (+ and -) marked inside.
4. Place the battery pack in the recessed area with the battery pack's connector on the same side as the truck's matching connector.
5. Attach the battery pack's connector to the truck's matching connector. Do not force them! They fit together only one way.
6. Close the cover, then turn the latches clockwise until they stop to secure it.

When the truck's operation becomes erratic, replace the receiver's battery.

When the vehicle loses power, recharge the battery pack according to the battery charger's supplied instructions.

Cautions:

- Do not charge or recharge the battery pack while it is in the truck.
- After you charge or recharge the battery pack (12–14 hours), disconnect it from the charger. Overcharging the battery pack could damage it.
- When you disconnect the battery pack from the charger, do not pull on the connector's wires. You might damage the battery pack.
- Be sure the battery pack's and the truck's battery connectors and wires do not touch any of the truck's moving parts.
- Do not recharge a battery pack immediately after use (while it is still hot). Allow it to cool first.

Important: Contact your local, county, or state hazardous waste management authorities for information on recycling or disposal programs in your area. Some options that might be available are: municipal curbside collection, drop-off boxes at retailers such as your local RadioShack store, recycling collection centers, and mail-back programs.

SUNCON TOYS INDUSTRY LTD

FCC ID # : GLE136121T

JOB # : 133H0

EXHIBIT # : *SE*

TIP

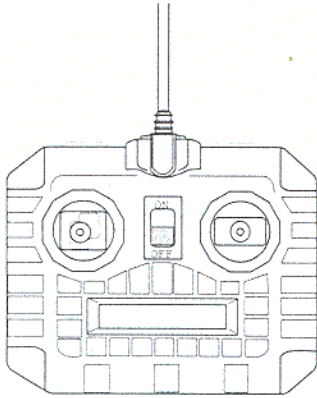
To drive the Agitator for longer periods of time, purchasing an extra battery pack will allow you to charge while you use the other.

OPERATION

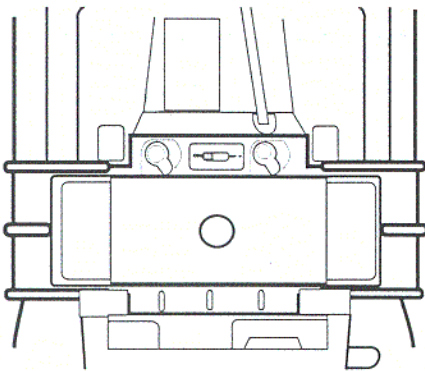
CAUTION

Don't play with your Agitator in the street.

1. Extend the transmitter's antenna to its full length. For maximum range, hold the transmitter with the antenna as high as possible and pointing straight up.



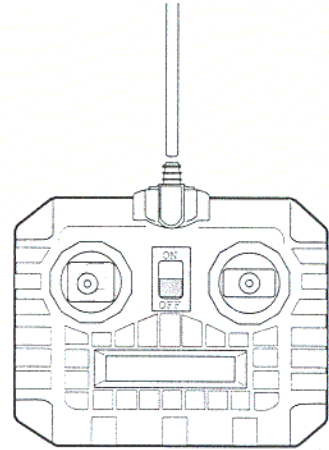
2. Slide the Agitator's ON/OFF switch next to the battery compartment to ON.



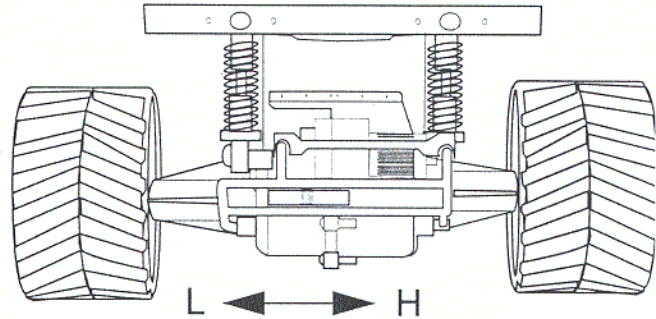
SUNCON TOYS INDUSTRY LTD
FCC ID #: GLE136121T
JOB #: 133H0

EXHIBIT #: *Sr*

3. Slide the transmitter's ON/OFF switch to ON.



4. Slide L/H (beneath the rear bumper) to H to use the truck on a smooth surface, or to L for a rough surface.



Note: If you cannot move L/H easily, slightly turn the truck's back wheels by hand. Then try again.

5. Use the transmitter's control levers to drive and steer the Agitator.

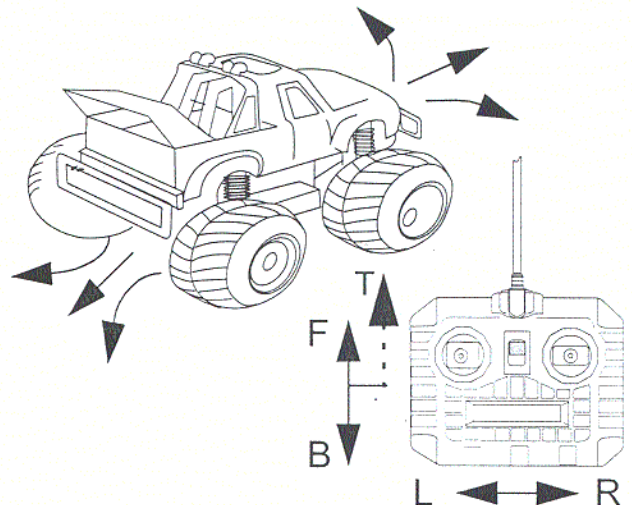


EXHIBIT #: 5G

Left Control Lever

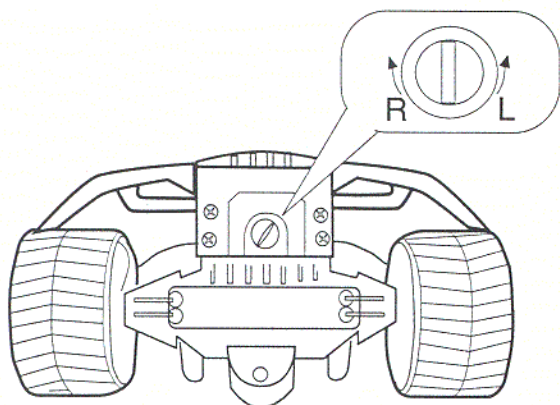
- Push forward to move forward (F).
- Push forward all the way for turbo power (T).
- Pull backward to move back (B).
- Release to stop.

Right Control Lever

- Push left to move left (L).
 - Push right to move right (R).
 - Release to go straight.
6. When you finish, slide the truck's and the transmitter's **ON/OFF** switches to **OFF**.

Note: You might hear a squeaking sound when running your truck on a rough surface. The clutch that protects the gear box makes this sound. This is normal.

WHEEL ALIGNMENT



If the Agitator does not go in a straight line when you release the right control lever, use a flat-blade screwdriver to

adjust the wheel alignment control on the bottom of the truck.

With the front of the Agitator facing away from you, turn the control to the right if the Agitator is pulling to the left, or to the left if the Agitator is pulling to the right.

HELPFUL HINTS

These hints can help you get the most enjoyment from the Agitator.

- Running your truck continuously for long periods generates high heat levels. Heat causes the most wear and tear on the motor. To help keep heat levels down, when your truck's battery power dies, let the truck cool at least 10 minutes before installing a newly charged battery pack.
- If someone uses a CB nearby, it might interfere with your control of the truck. If this happens, move the truck and transmitter away from the CB.
- You cannot operate your truck near devices with transmitters that use the same frequency as your truck (either 27 MHz or 49 MHz). Check the Agitator's box to see which frequency your truck uses.
- If the truck moves slowly, and you have installed fresh batteries, check the wheel mechanisms and remove any lint, thread, hair, or dust you see.

CARE

The following suggestions will help you care for your Agitator so you can enjoy it for years.

- Do not drive the truck through puddles or mud, on a wet floor, or in sand, rain, or snow. These can damage it.
- Do not expose the truck or transmitter to temperature extremes, and do not store them in direct sunlight or near a heat source.
- Do not leave the truck or transmitter outside overnight. Night dampness can damage their electronic circuits.
- To protect the truck's mechanisms from lint and hair, do not drive the truck on carpet.
- Wipe the truck and transmitter with a damp cloth occasionally to keep them looking new. Do not use harsh chemicals to clean them.

Modifying or tampering with the truck's or transmitter's internal components can cause a malfunction and might invalidate the truck's warranty and void your FCC authorization to operate it. If your truck is not performing as it should, take it and the transmitter to your local RadioShack store for assistance.

THE FCC WANTS YOU TO KNOW

The Agitator or transmitter might cause TV or radio interference even when it is operating properly. To determine whether your truck or transmitter is causing the interference, turn both off. If the interference goes away, your truck or transmitter is causing the interference. Try to eliminate the interference by:

- Moving your truck and transmitter away from the TV or radio
- Contacting your local RadioShack store for help

If you cannot eliminate the interference, the FCC requires that you stop using the Agitator and transmitter.

SUNCON TOYS INDUSTRY LTD
FCC ID #: GLE136121T
JOB #: 133H0

EXHIBIT #: *5H*

Note: The manufacture is not responsible for any radio or TV interference caused by unauthorized modifications to this equipment. such modifications cloud void the user's authority to operate the equipment.

USER-REPLACEABLE PARTS

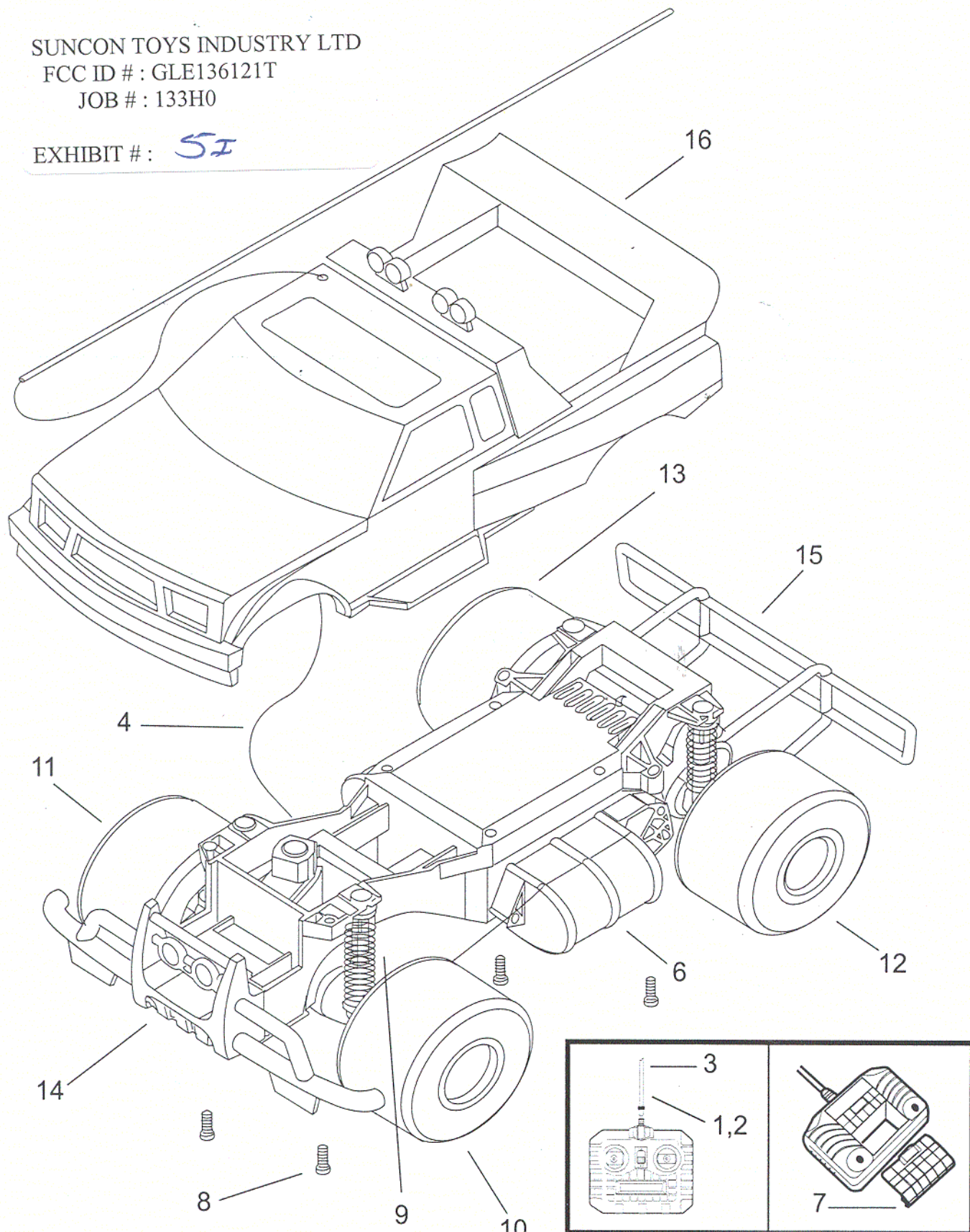
You can order replacement parts for your vehicle at your local RadioShack store. Simply identify the part(s) you need from this exploded view, then find the part number in the list on Page 10.

SUNCON TOYS INDUSTRY LTD

FCC ID #: GLE136121T

JOB #: 133H0

EXHIBIT #: *5I*



Ref. No.	Description	RSU #	NP Part
1	Transmitter 27 MHz	12139119	ZA90181
2	Transmitter 49 MHz	12139127	ZA90182
3	Transmitter Antenna	11972601	A90056
4	Receiver Antenna Wire, 27 mhz 49mhz	12093324 12062113	A90120 A90106
5	Receiver Antenna Tube Set	10681781	HC4899
6	Receiver Battery Door	11972627	DB90210
7	Transmitter Battery Door	10611358	DB1064
8	Receiver Hardware Kit Consists of: Metal Screw 2.6 x 8PT (4) Metal Screw 3 x 12PM (4) Washer M3 (4) Washer 1010-9 (4)	12139093	HW6004236
9	Suspension Pillar Assembly (Front/back)	12139085	RA90354
10	Left Front Wheel Assembly	12139069	Z91853
11	Right Front Wheel Assembly	12139077	Z91854
12	Left Rear Wheel Assembly	12139044	Z91851
13	Right Rear Wheel Assembly	12139051	Z91852
14	Front Bumper Guard	11972684	Z90651
15	Rear Bumper Guard	11972692	Z90652
16	Truck Body Assembly with Label	12138970	Z91847
17†	Service Manual	12139135	MS6004136
18†	Owner's Manual	12139101	MU6004236

†Not shown in exploded view

SUNCON TOYS INDUSTRY LTD

FCC ID # : GLE136121T

JOB # : 133H0

EXHIBIT # : 5J

Limited Ninety-Day Warranty

This product is warranted by RadioShack against manufacturing defects in material and workmanship under normal use for ninety (90) days from the date of purchase from RadioShack company-owned stores and authorized RadioShack franchisees and dealers. EXCEPT AS PROVIDED HEREIN, RadioShack MAKES NO EXPRESS WARRANTIES AND ANY IMPLIED WARRANTIES, INCLUDING THOSE OF MERCHANTABILITY AND FITNESS FOR A PARTICULAR PURPOSE, ARE LIMITED IN DURATION TO THE DURATION OF THE WRITTEN LIMITED WARRANTIES CONTAINED HEREIN. EXCEPT AS PROVIDED HEREIN, RadioShack SHALL HAVE NO LIABILITY OR RESPONSIBILITY TO CUSTOMER OR ANY OTHER PERSON OR ENTITY WITH RESPECT TO ANY LIABILITY, LOSS OR DAMAGE CAUSED DIRECTLY OR INDIRECTLY BY USE OR PERFORMANCE OF THE PRODUCT OR ARISING OUT OF ANY BREACH OF THIS WARRANTY, INCLUDING, BUT NOT LIMITED TO, ANY DAMAGES RESULTING FROM INCONVENIENCE, LOSS OF TIME, DATA, PROPERTY, REVENUE, OR PROFIT OR ANY INDIRECT, SPECIAL, INCIDENTAL, OR CONSEQUENTIAL DAMAGES, EVEN IF RadioShack HAS BEEN ADVISED OF THE POSSIBILITY OF SUCH DAMAGES.

Some states do not allow the limitations on how long an implied warranty lasts or the exclusion of incidental or consequential damages, so the above limitations or exclusions may not apply to you.

In the event of a product defect during the warranty period, take the product and the RadioShack sales receipt as proof of purchase date to any RadioShack store. RadioShack will, at its option, unless otherwise provided by law: (a) correct the defect by product repair without charge for parts and labor; (b) replace the product with one of the same or similar design; or (c) refund the purchase price. All replaced parts and products, and products on which a refund is made, become the property of RadioShack. New or reconditioned parts and products may be used in the performance of warranty service. Repaired or replaced parts and products are warranted for the remainder of the original warranty period. You will be charged for repair or replacement of the product made after the expiration of the warranty period.

This warranty does not cover: (a) damage or failure caused by or attributable to acts of God, abuse, accident, misuse, improper or abnormal usage, crash, collision, impact, violent contact, failure to follow instructions, improper installation or maintenance, alteration, lightning or other incidence of excess voltage or current; (b) any repairs other than those provided by a RadioShack Authorized Service Facility; (c) consumables such as fuses or batteries; (d) cosmetic damage; (e) transportation, shipping or insurance costs; or (f) costs of product removal, installation, set-up service adjustment or reinstallation.

This warranty gives you specific legal rights, and you may also have other rights which vary from state to state.

RadioShack Customer Relations, 200 Taylor Street, 6th Floor, Fort Worth, TX 76102

We Service What We Sell

04/99

SUNCON TOYS INDUSTRY LTD

FCC ID # : GLE136121T

JOB # : 133H0

EXHIBIT # : *SK*

RadioShack
A Division of Tandy Corporation
Fort Worth, Texas 76102

136121
Cat. No. ~~00 4236~~

06A99

Printed in Hong Kong