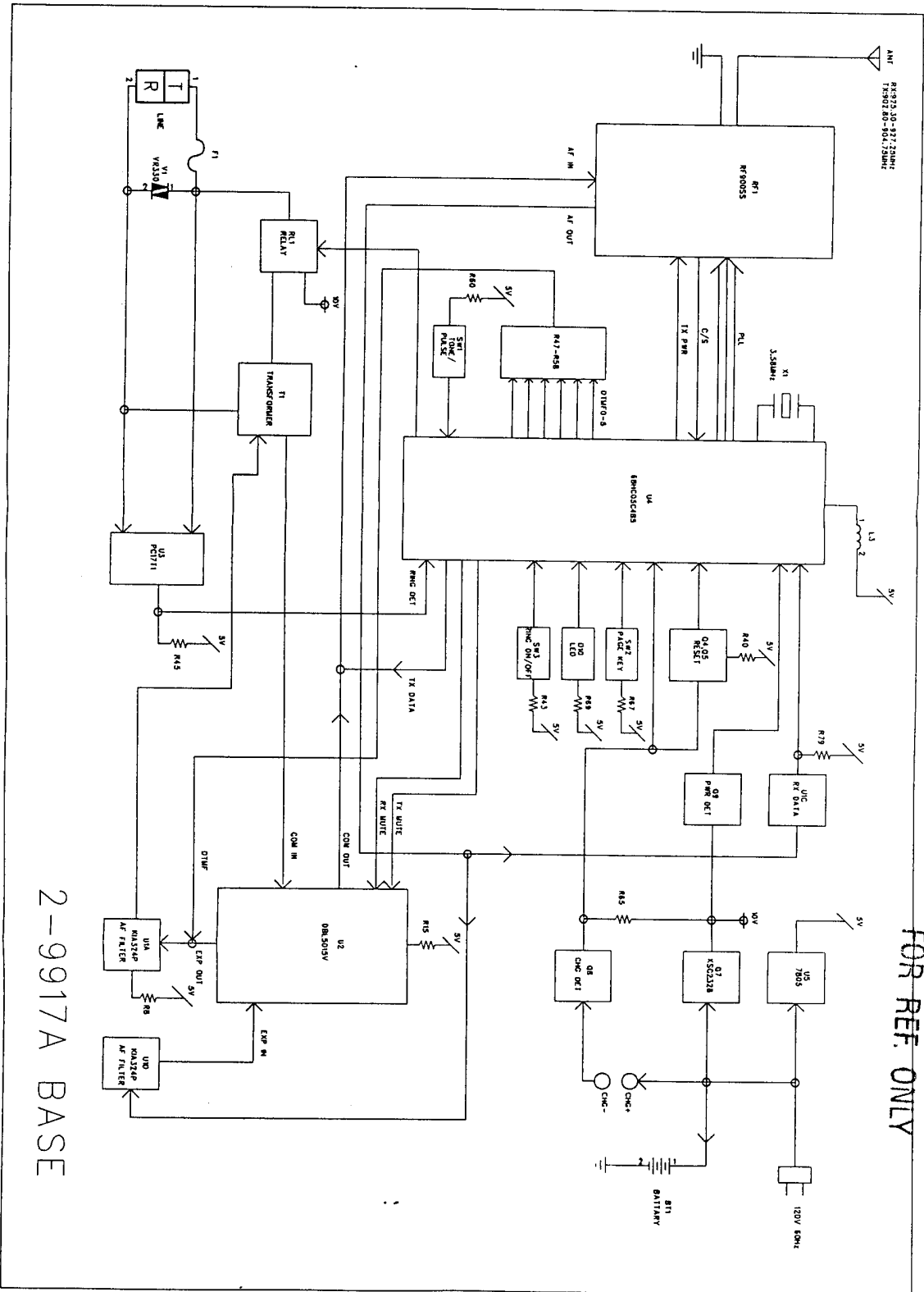


EXHIBIT C

(FCC Ref. 2.1033(b)(5))

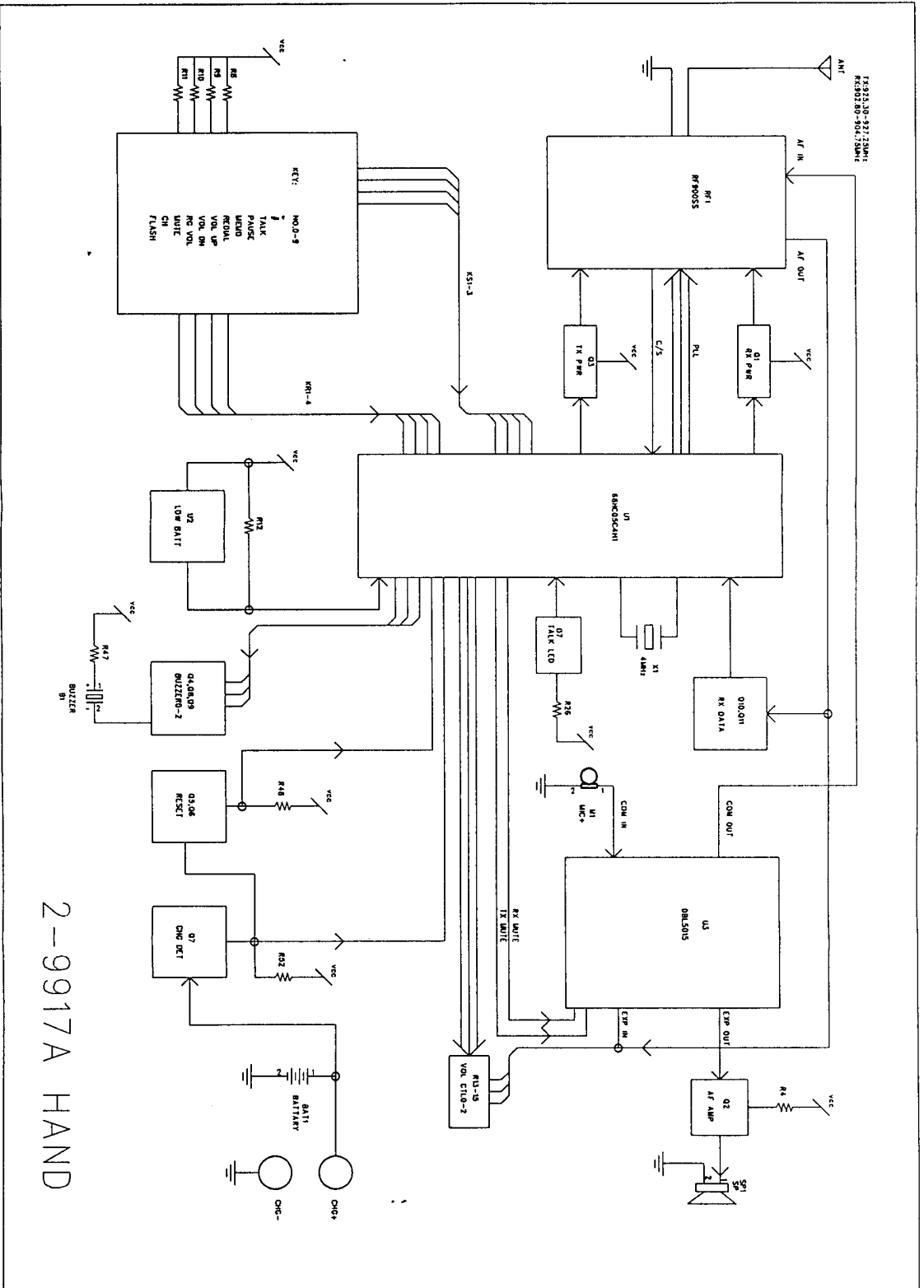
"Block and Schematic Diagrams"



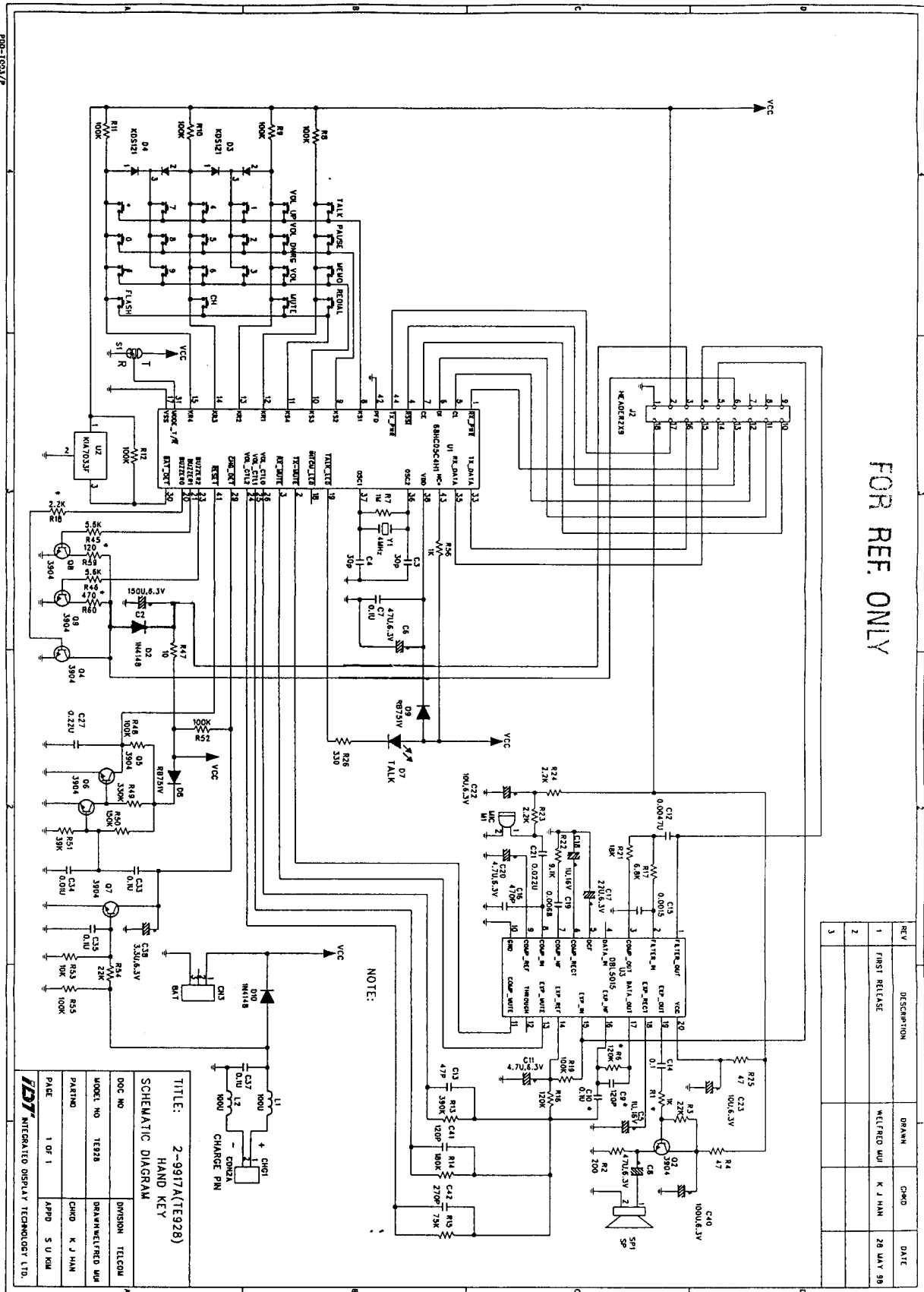
2-9917A BASE

FOR REF. ONLY

FOR REF, ONLY



FOR REF. ONLY



REV	DESCRIPTION	DRAWN	CHKD	DATE
1	FIRST RELEASE	WLF/RED WU	K J HAN	28 MAY 90
2				
3				

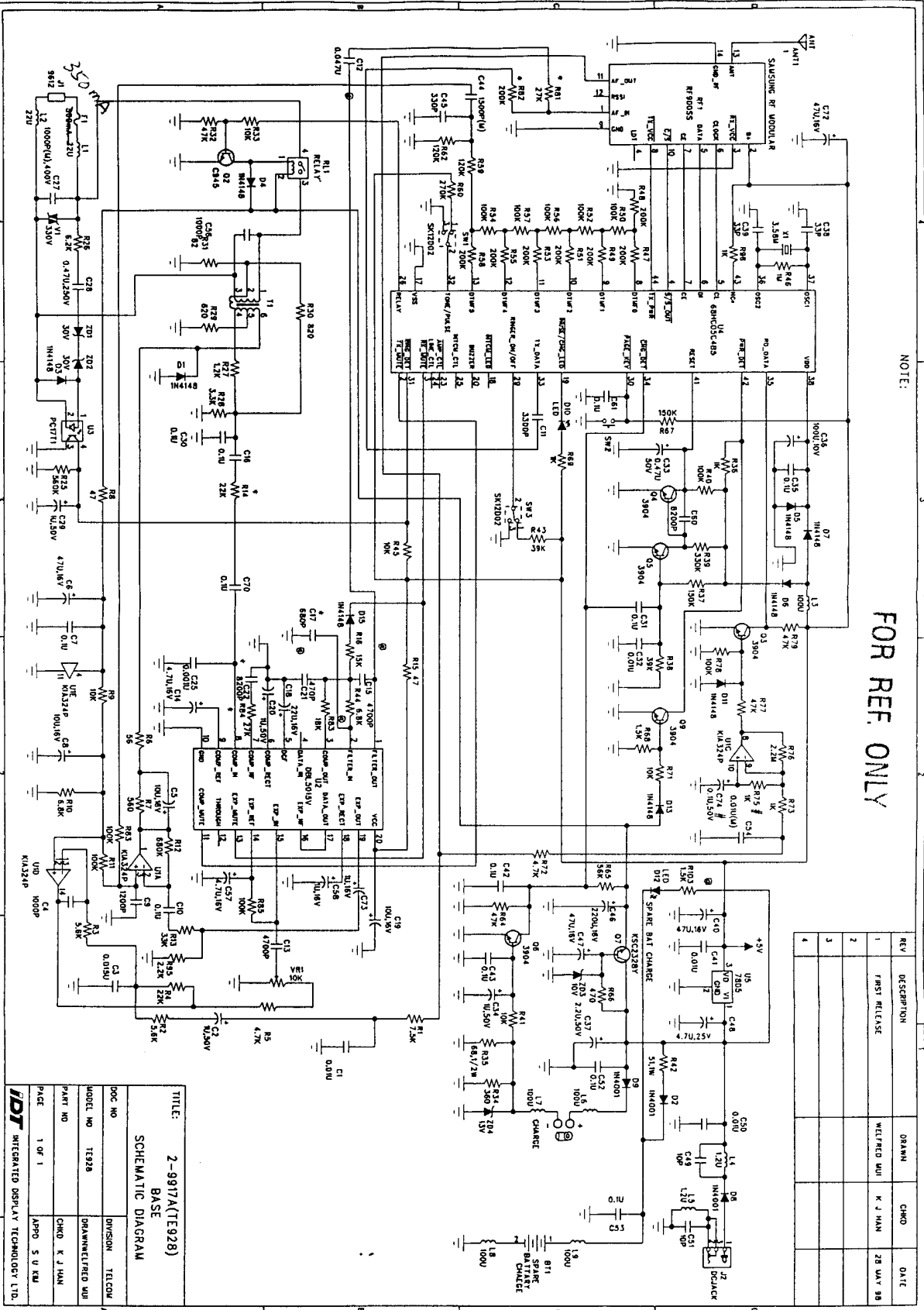
TITLE: 2-9917A(TE928)  
 HAND KEY  
 SCHEMATIC DIAGRAM

DOC NO	TE928	DIVISION	TELECOM
MODEL NO		DRAWN/WELFRED WU	
PARTNO		CHKD	K J HAN
PAGE	1 OF 1	APPD	S U KIM

IBT MICRACATED DISPLAY TECHNOLOGY LTD.

FOR REF. ONLY

NOTE:



REV	DESCRIPTION	DRAWN	CHKD	DATE
1	FIRST RELEASE			
2				
3				
4				

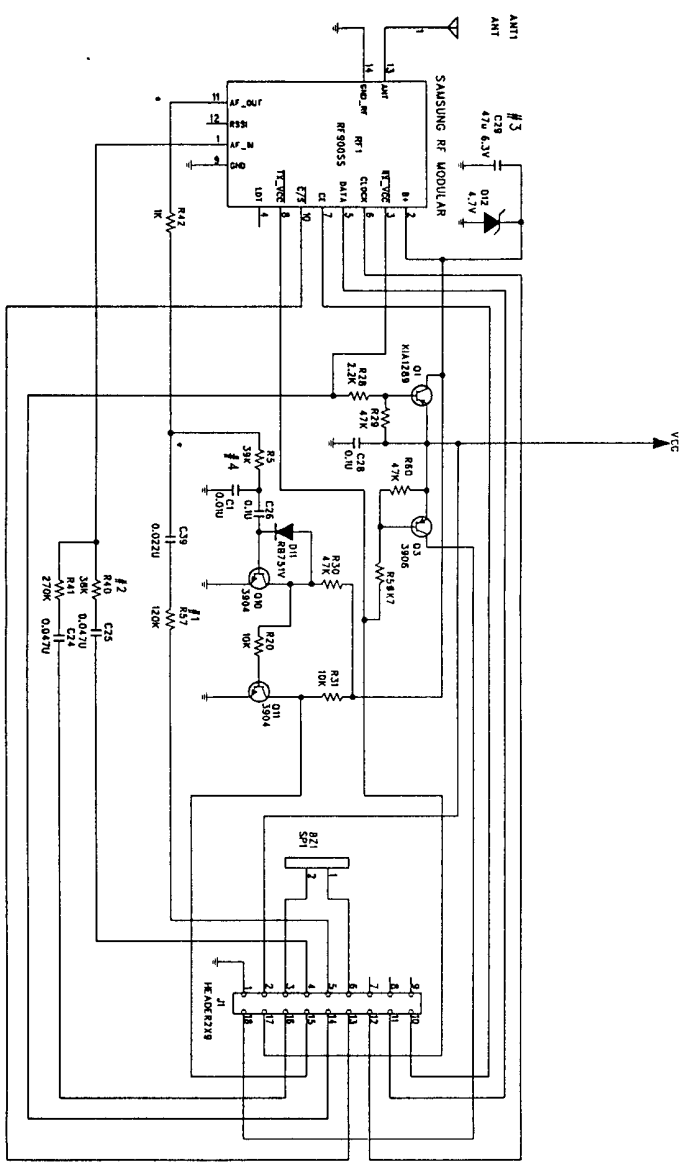
TITLE: 2-9917A(TE928)  
 BASE  
 SCHEMATIC DIAGRAM

DOC NO: T3328  
 MODEL NO: T3328  
 PART NO: DIVISION: TELCOR  
 DRAWN: K. J. HAN  
 CHECK: K. J. HAN  
 PAGE: 1 OF 1  
 APPD: S. V. KAL

IDT INTEGRATED DISPLAY TECHNOLOGY LTD.

FOR REF ONLY

REV	DESCRIPTION	DRAWN	CHKD	DATE
1	FIRST RELEASE	WLFRED WJ	K J HAN	28 MAY 98
2				
3				



NOTE:

TITLE:	2-9917A(TE928)	DIVISION:	TELECOM
SCHEMATIC DIAGRAM	HAND MAIN	DRAWN/CHKD:	WJFRED WJ
DOC NO:	TE928	CHKD:	K J HAN
MODEL NO:		APPR:	S U KIM
PAGE:	1 OF 1		

IBT INTEGRATED DISPLAY TECHNOLOGY LTD.