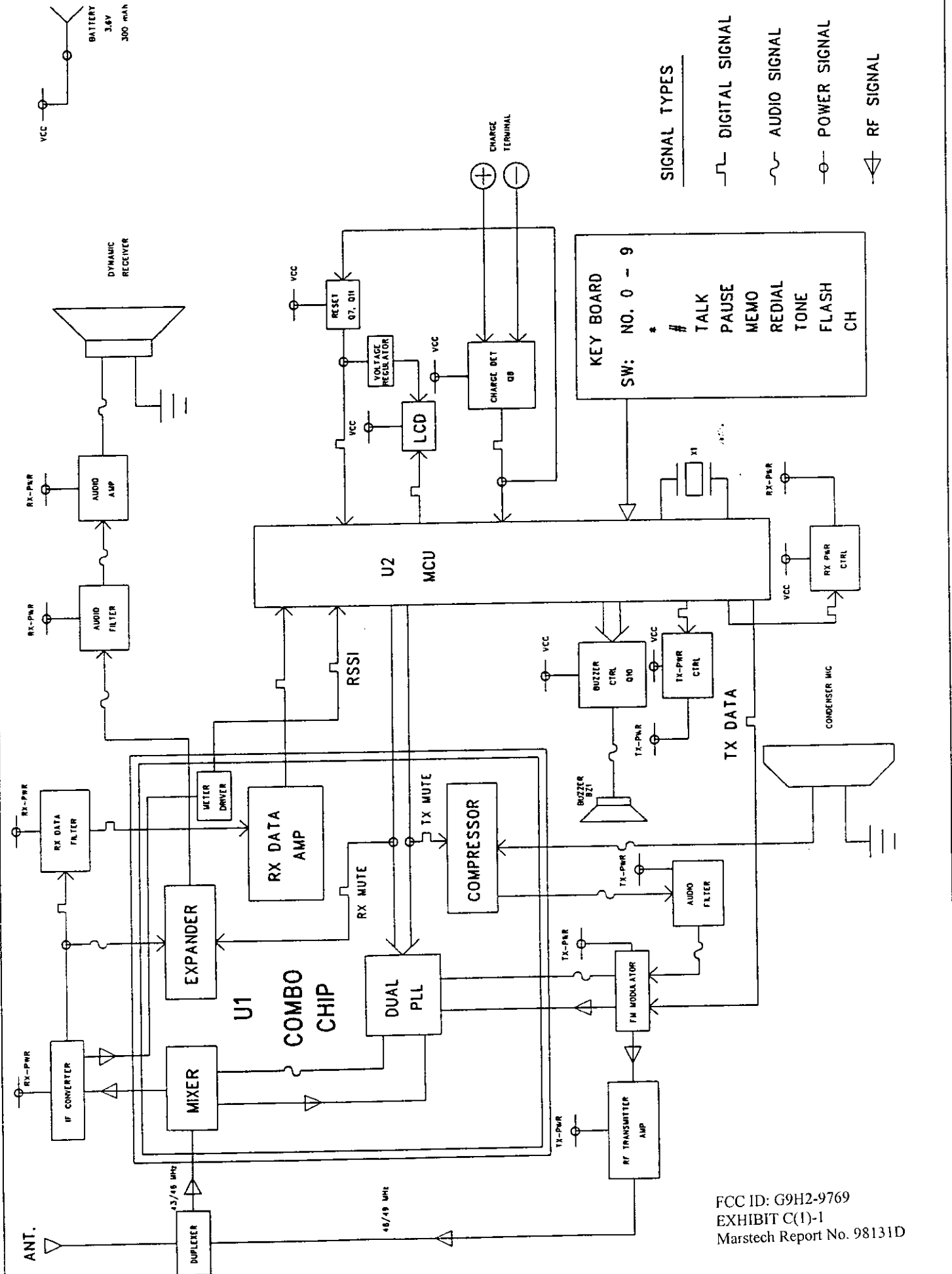


EXHIBIT C

(FCC Ref. 2.1033(b)(5))

"Block and Schematic Diagrams"



FCC ID: G9H2-9769
EXHIBIT C(1)-1
Marstech Report No. 98131D

