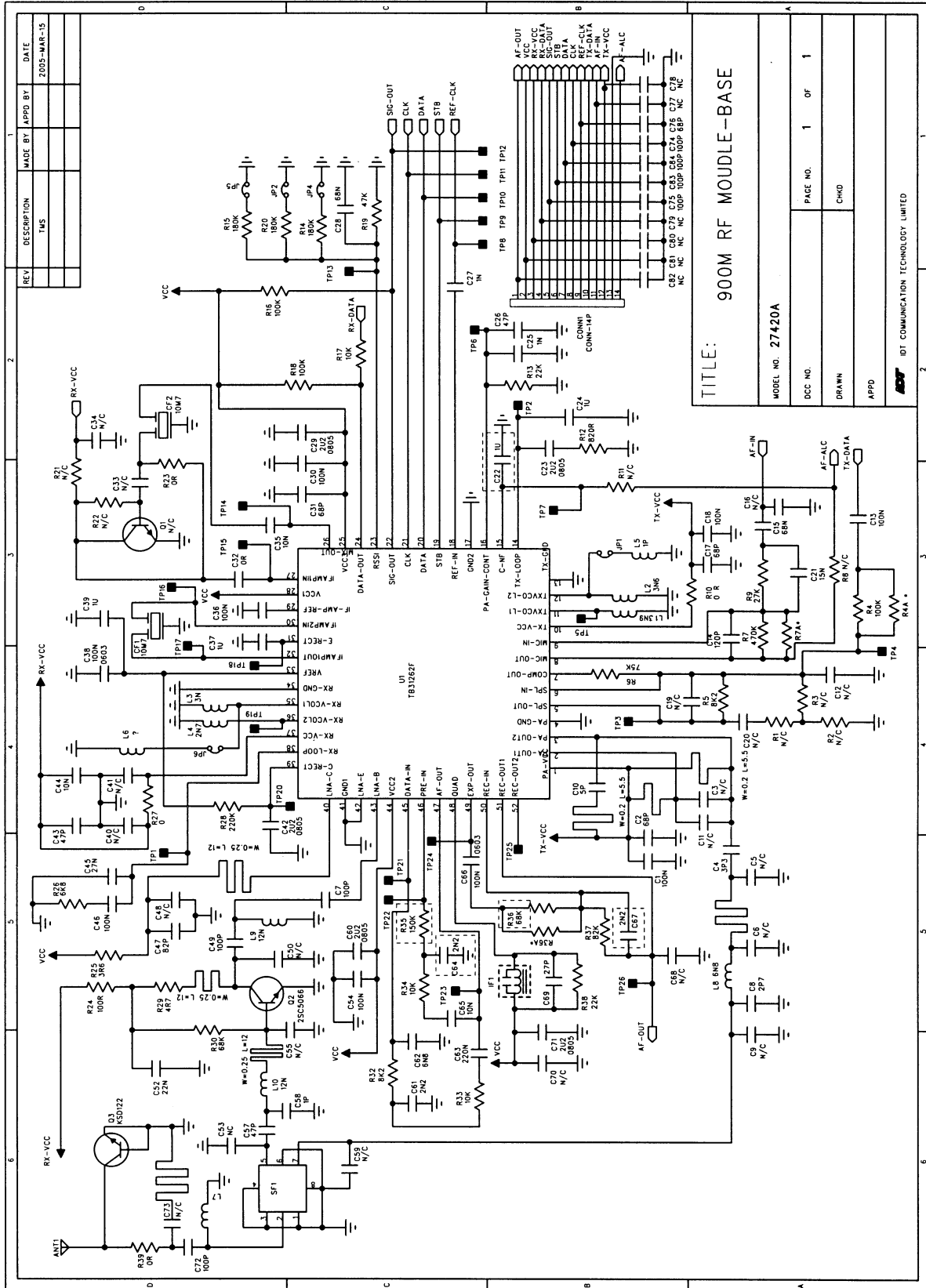


REV	DESCRIPTION	MADE BY	APP'D BY	DATE

TITLE: AT7420 SHOP PHONE BASE SCHEMATIC DIAGRAM	
DOC NO:	AT7420
DRWING:	SP7420
PART NO:	
DATE:	
REV:	
I/O INTEGRATED DISPLAY TECHNOLOGY LTD.	

REMARK: 1. RESISTOR VALUES IN OHMS UNLESS SPECIFIED
 2. RESISTOR VALUES IN KΩ UNLESS SPECIFIED
 3. NOT MOUNT: N.M.



FCC ID: G9H2-7420A
 Marstech Report No. 25147D
 EXHIBIT D(2)-2

