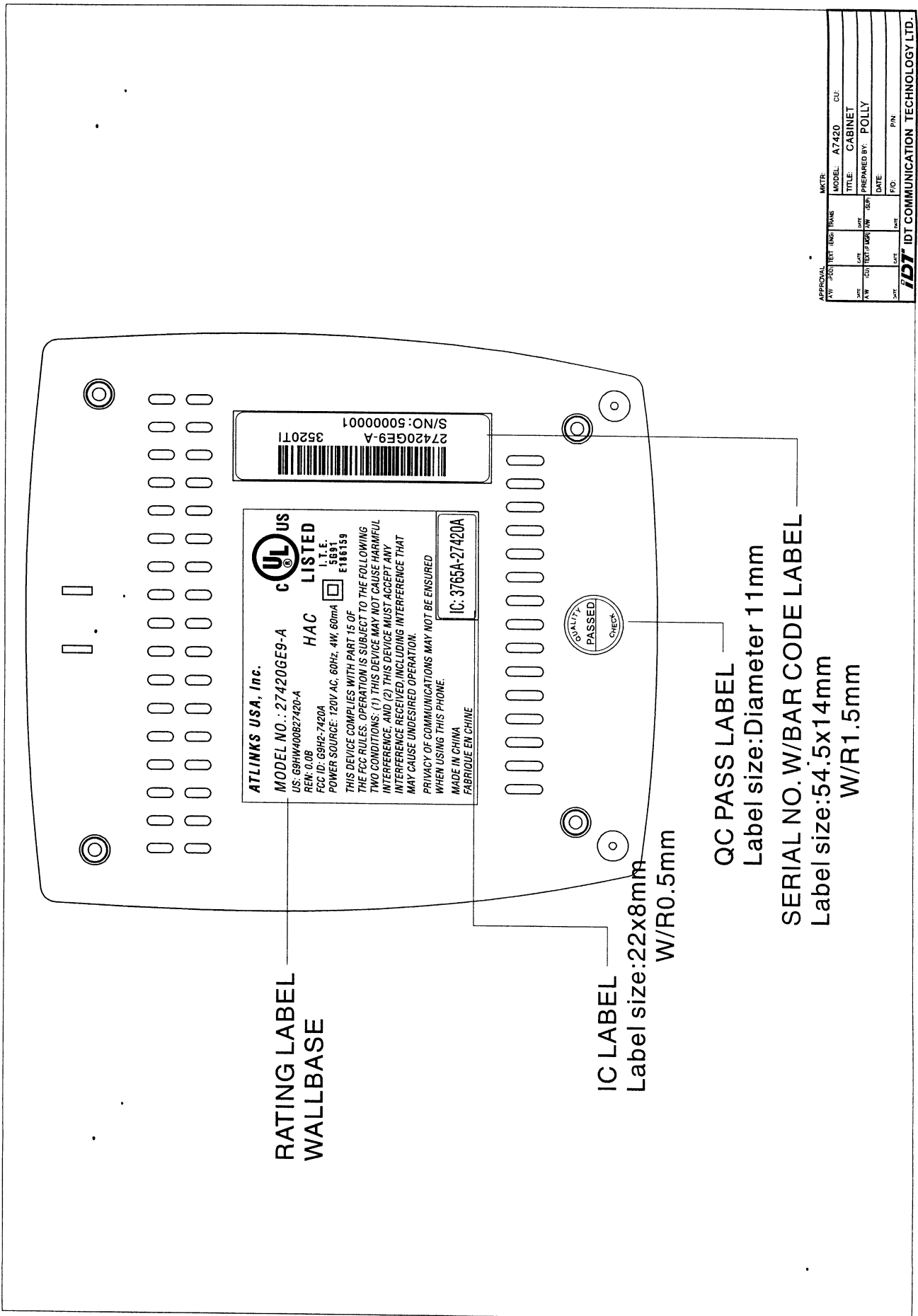


EXHIBIT E

(FCC Ref. 2.1033(b)(7))

"Photographs"



**RATING LABEL
WALLBASE**

IC LABEL
Label size: 22x8mm
W/R0.5mm

QC PASS LABEL
Label size: Diameter 11mm

SERIAL NO. W/BAR CODE LABEL
Label size: 54.5x14mm
W/R1.5mm

ATLINKS USA, Inc.
MODEL NO.: 27420GE9-A
 US: G9H2-7420A
 REN: 0.0B
 FCC ID: G9H2-7420A
 POWER SOURCE: 120V AC, 60Hz, 4W, 60ma

HAC
UL US LISTED
 I.T.E.
 E186159

THIS DEVICE COMPLIES WITH PART 15 OF THE FCC RULES. OPERATION IS SUBJECT TO THE FOLLOWING TWO CONDITIONS: (1) THIS DEVICE MAY NOT CAUSE HARMFUL INTERFERENCE, AND (2) THIS DEVICE MUST ACCEPT ANY INTERFERENCE RECEIVED, INCLUDING INTERFERENCE THAT MAY CAUSE UNDESIRABLE OPERATION.

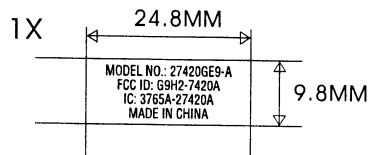
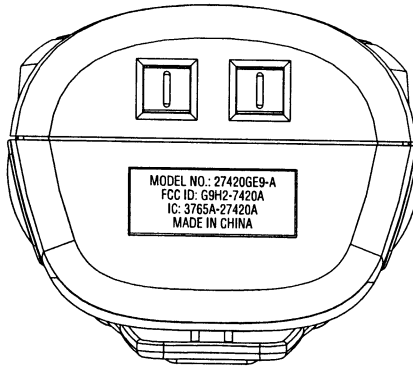
PRIVACY OF COMMUNICATIONS MAY NOT BE ENSURED WHEN USING THIS PHONE.

MADE IN CHINA
 FABRIQUE EN CHINE

IC: 3765A-27420A

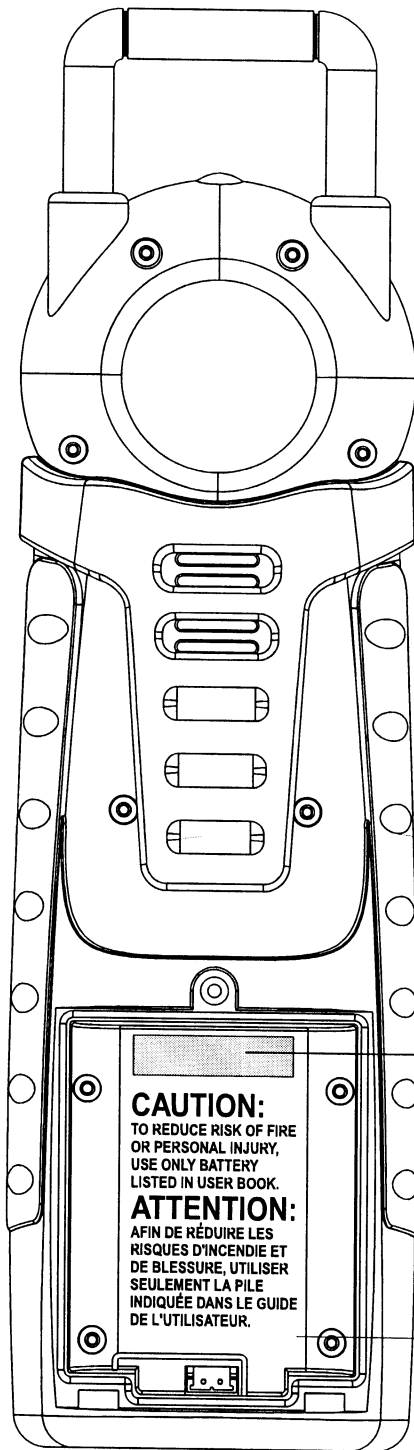
27420GE9-A
 S/NO: 50000001
 3520T1

APPROVAL		MKTR:	
BY	DATE	MODEL	CU
BY	DATE	TITLE	CABINET
BY	DATE	PREPARED BY	POLLY
BY	DATE	DATE	
BY	DATE	FID	PIN

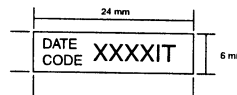


COLOR: REVERSE WHITE ON BLACK BACKGROUND

APPROVAL			MKTR:	
A/W (PDD)	TEXT (ENG)	TRANS	MODEL: A7420	CU:
DATE	DATE	DATE	TITLE: HS RATING LABEL	
A/W (CU)	TEXT (P MGR)	A/W (SUP)	PREPARED BY: POLLY	
DATE	DATE	DATE	DATE: 23 MAY 05	
DATE	DATE	DATE	F/O:	P/N:
IDT IDT COMMUNICATION TECHNOLOGY LTD.				



HS Date Code Label



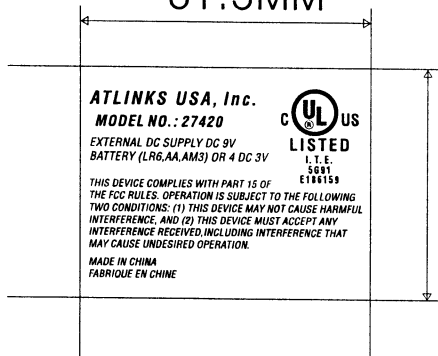
CAUTION ENGRAVING

CAUTION:
 TO REDUCE RISK OF FIRE
 OR PERSONAL INJURY,
 USE ONLY BATTERY
 LISTED IN USER BOOK.
ATTENTION:
 AFIN DE RÉDUIRE LES
 RISQUES D'INCENDIE ET
 DE BLESSURE, UTILISER
 SEULEMENT LA PILE
 INDIQUÉE DANS LE GUIDE
 DE L'UTILISATEUR.

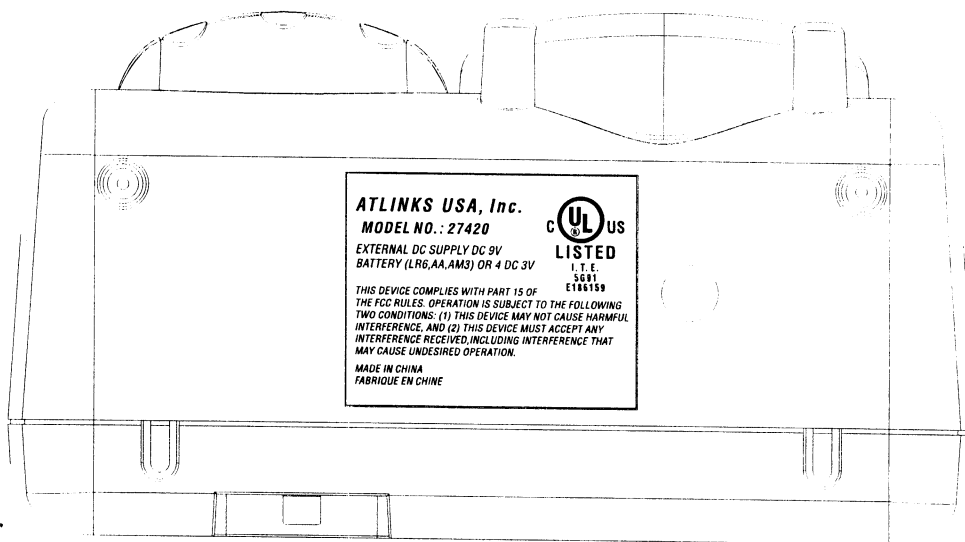
APPROVAL			MKTR:	
AW (PDD)	TEXT (ENG)	TRANS	MODEL: A7420	CU:
DATE	DATE	DATE	TITLE: HS CAUTION	
AW (CU)	TEXT (P MGR)	AW (SUP)	PREPARED BY: POLLY	
DATE	DATE	DATE	DATE: 23 MAY 05	
DATE	DATE	DATE	F/O:	P/N:

IDT IDT COMMUNICATION TECHNOLOGY LTD.

61.5MM



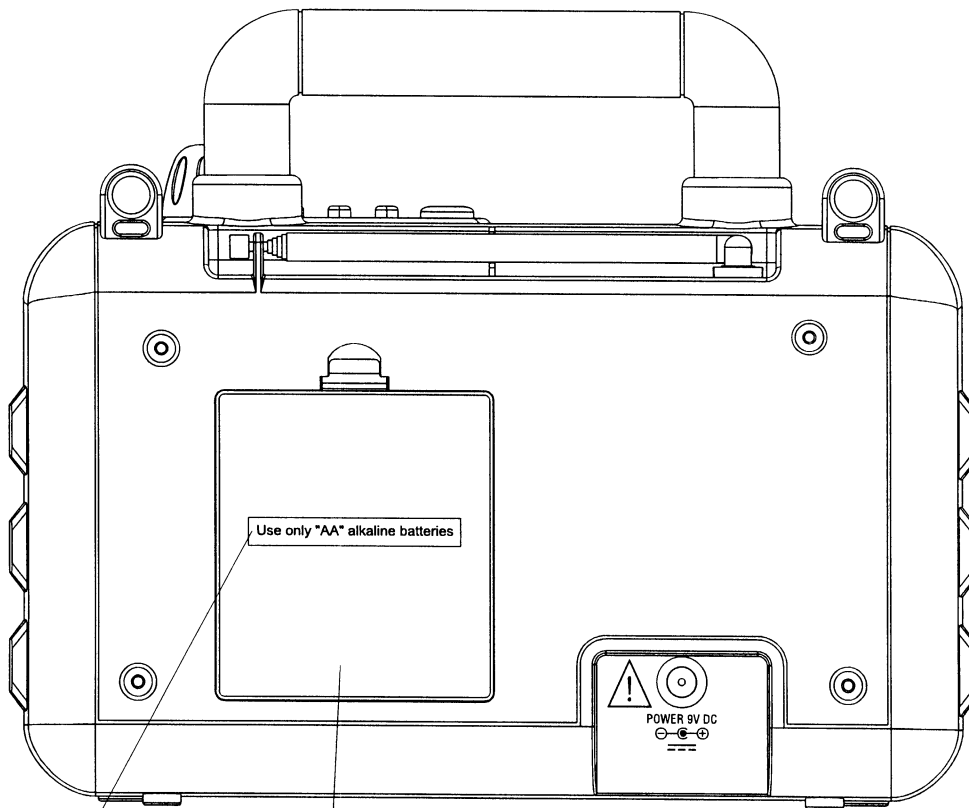
49.5MM



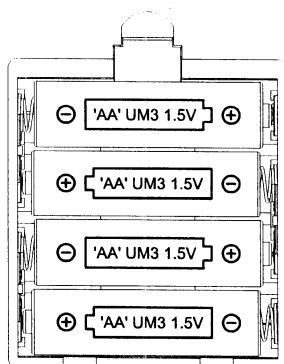
COLOR: REVERSE WHITE ON BLACK BACKGROUND

APPROVAL			MKTR:	
AW (PDD)	TEXT (ENG)	TRANS	MODEL: A7420	CU:
DATE	DATE	DATE	TITLE: RADIO RATING LABEL	
AW (CU)	TEXT (P MGR)	AW (SUP)	PREPARED BY: POLLY	
DATE	DATE	DATE	DATE: 27 JULY 05	
DATE	DATE	DATE	F/O: P/N:	

IDT IDT COMMUNICATION TECHNOLOGY LTD.



Battery label



TEXT - ENGRAVING

APPROVAL			MKTR:	
A/W (PDD)	TEXT (ENG)	TRANS	MODEL: A7420	CU:
DATE	DATE	DATE	TITLE: RADIO RATING LABEL	
A/W (CU)	TEXT (P MGR)	A/W (SUP)	PREPARED BY: POLLY	
DATE	DATE	DATE	DATE: 4 JULY 05	
DATE	DATE	DATE	F/O:	P/N:

IDT IDT COMMUNICATION TECHNOLOGY LTD.