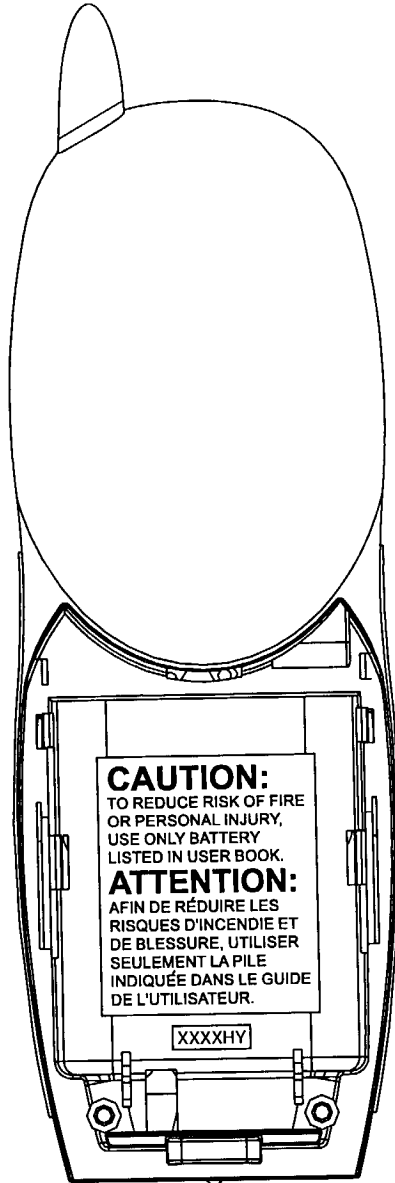


EXHIBIT E

(FCC Ref. 2.1033(b)(7))

"Photographs"

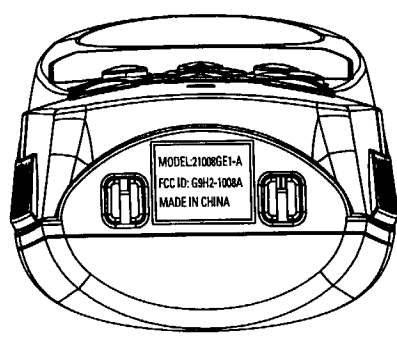


CAUTION:
TO REDUCE RISK OF FIRE
OR PERSONAL INJURY,
USE ONLY BATTERY
LISTED IN USER BOOK.
ATTENTION:
AFIN DE RÉDUIRE LES
RISQUES D'INCENDIE ET
DE BLESSURE, UTILISER
SEULEMENT LA PILE
INDIQUÉE DANS LE GUIDE
DE L'UTILISATEUR.

XXXXHY

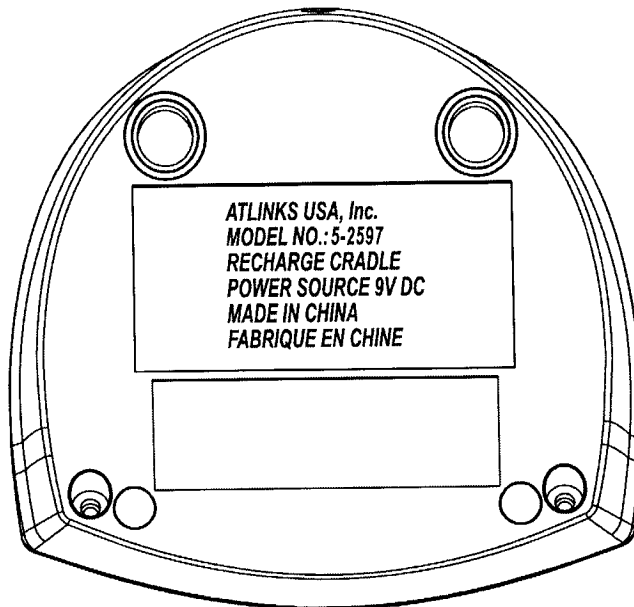
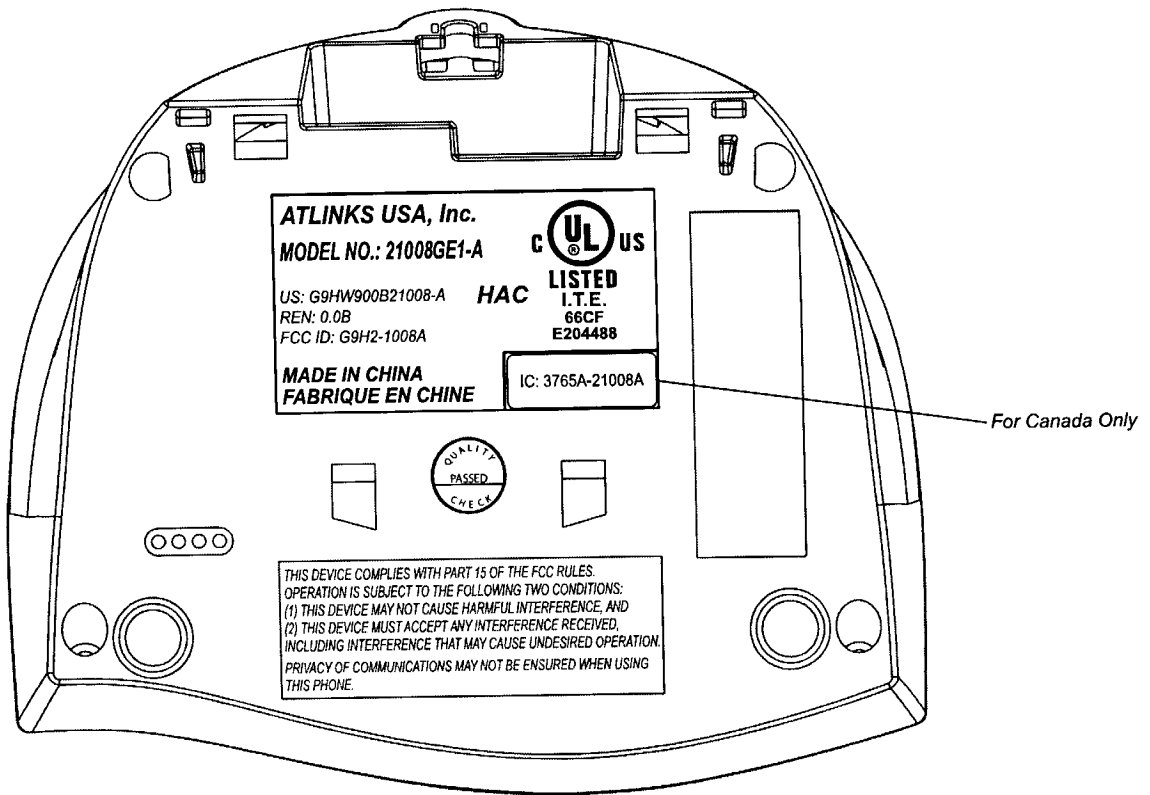
MODEL:21008GE1-A
FCC ID: G9H2-1008A
IC: 3785A-21008A
MADE IN CHINA

For Canada Only



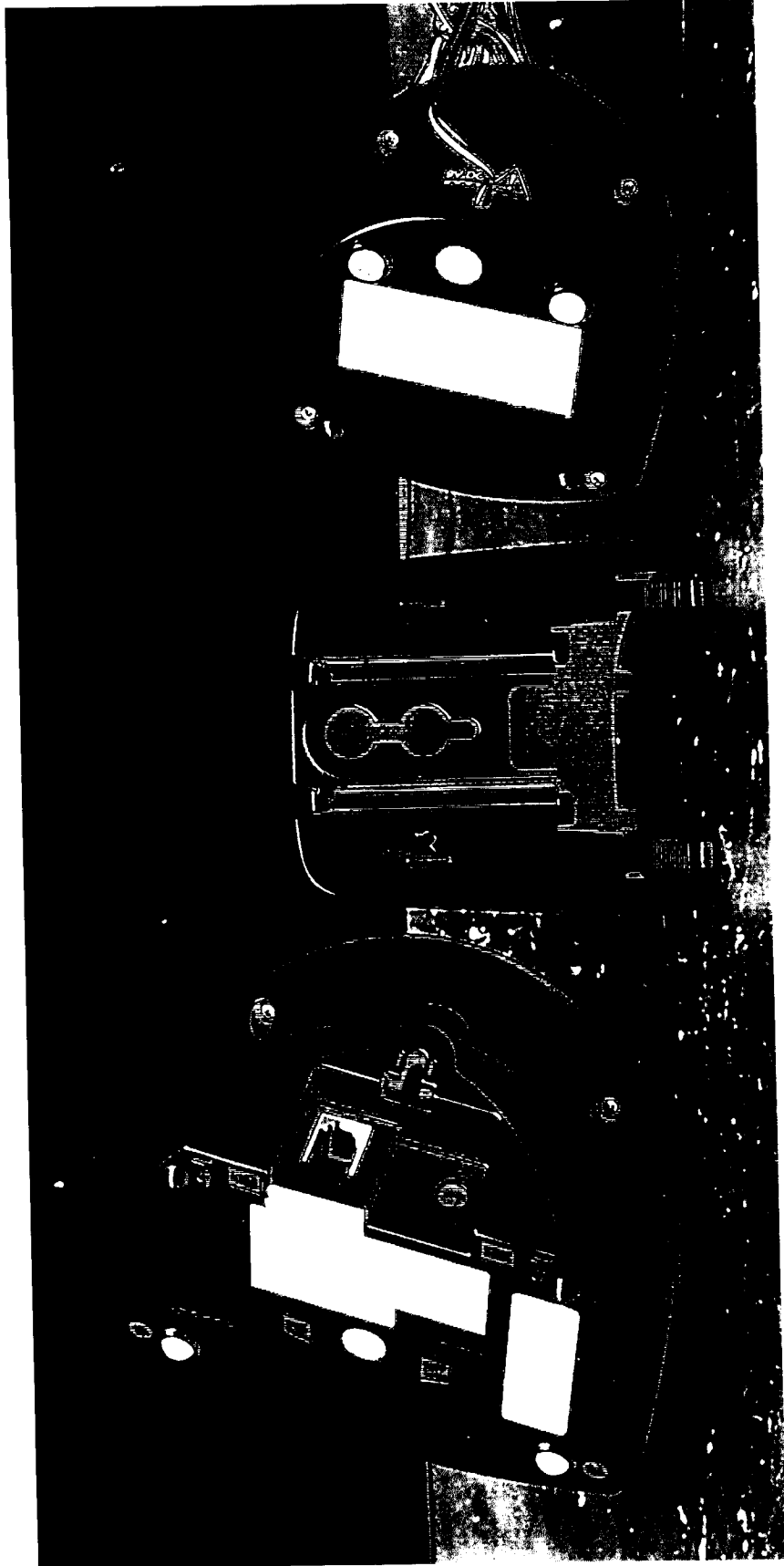
MODEL:21008GE1-A
FCC ID: G9H2-1008A
MADE IN CHINA

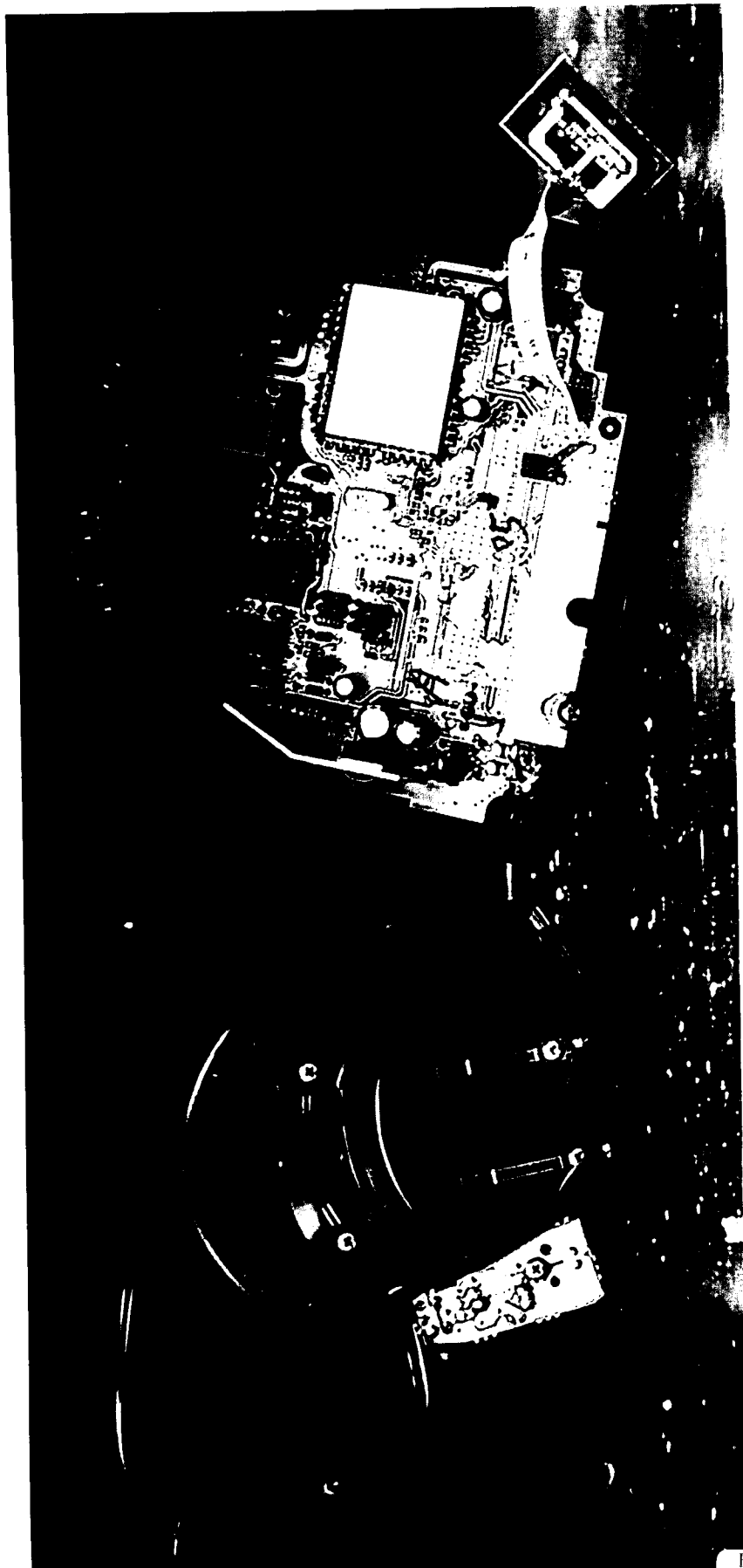
21008A-GE1 H/S LABELLING DRAWING
DATE: 10 JUNE 2003

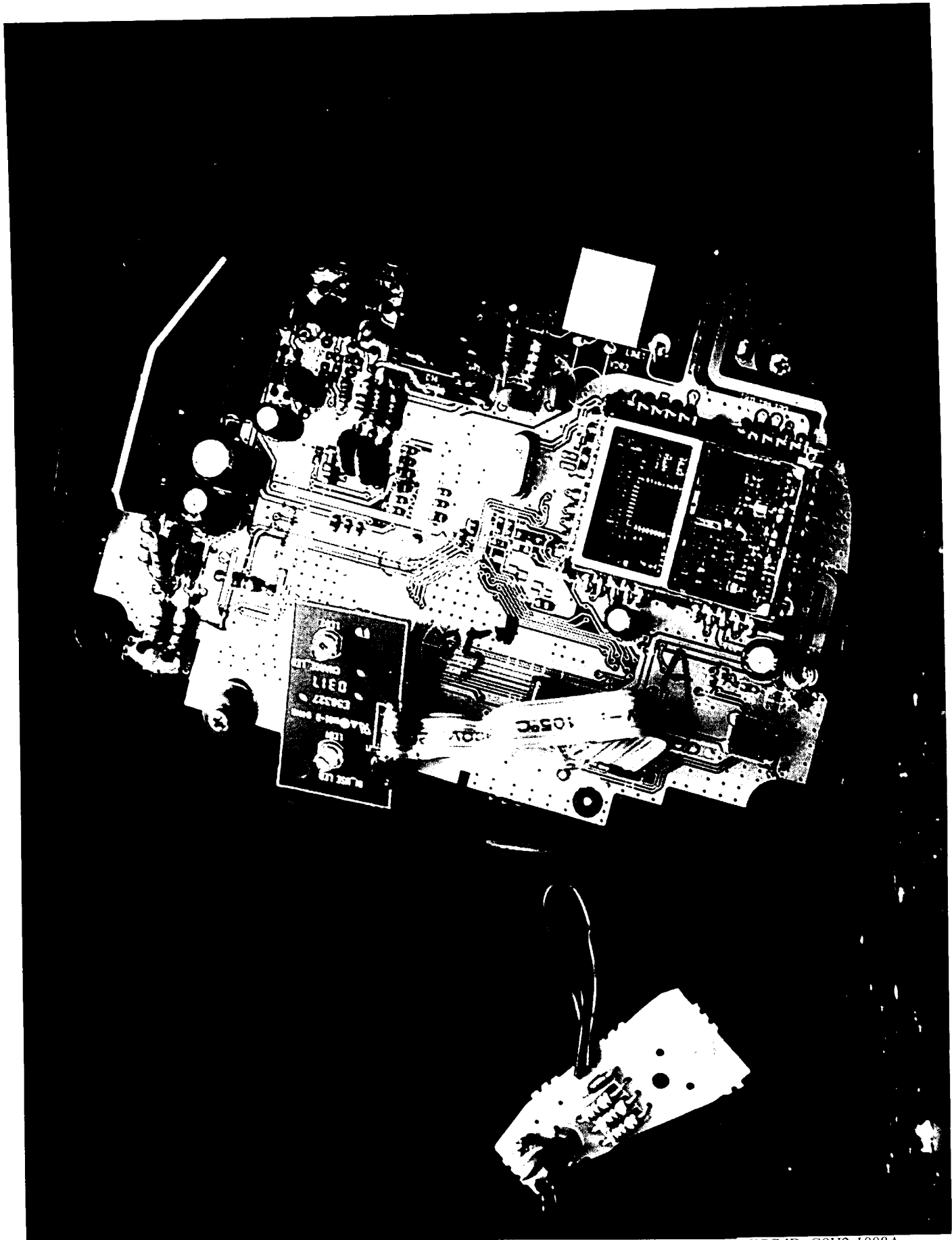


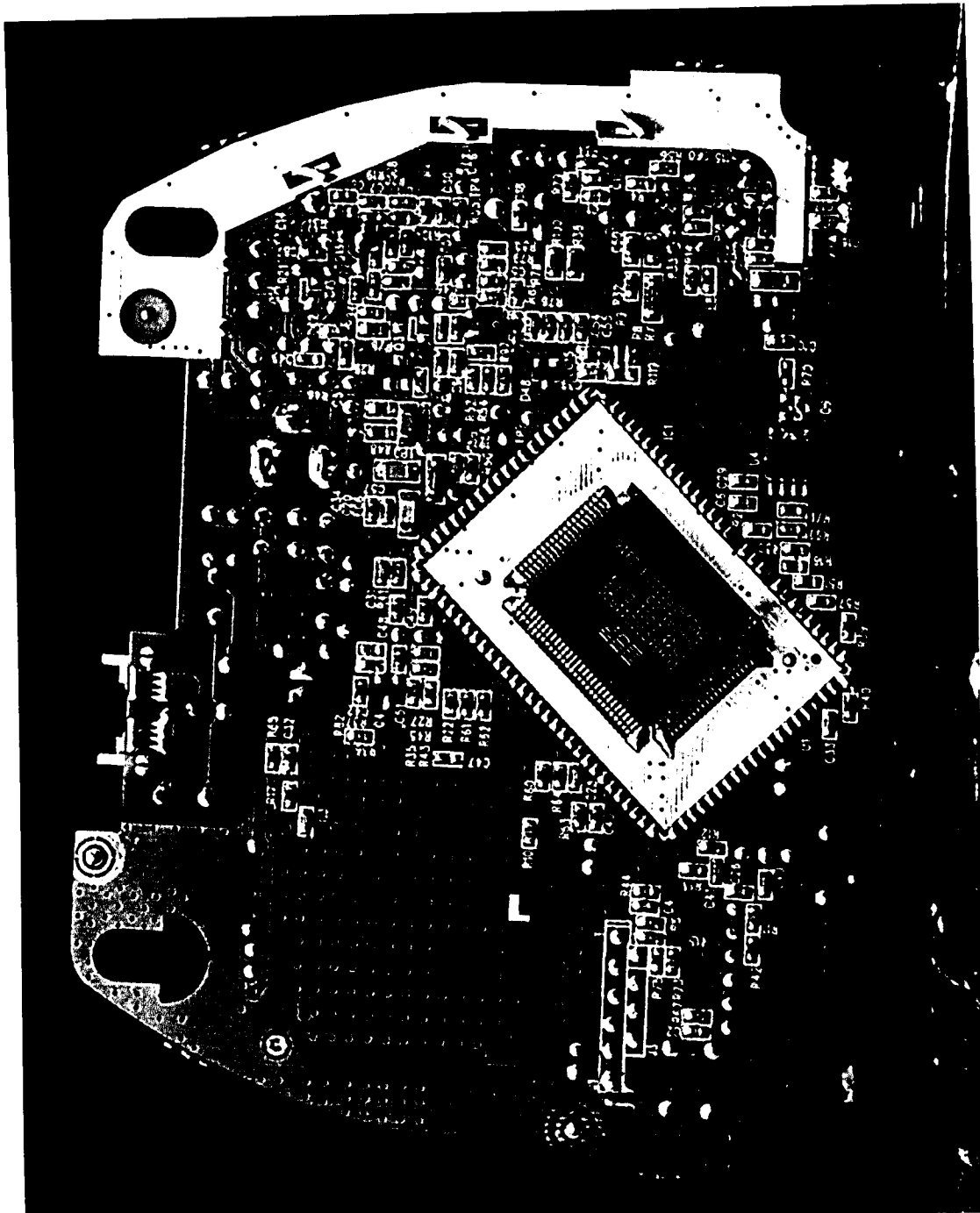
21008A-GE1 B/U + CHARGER LABELLING DRAWING
DATE: 10 JUNE 2003

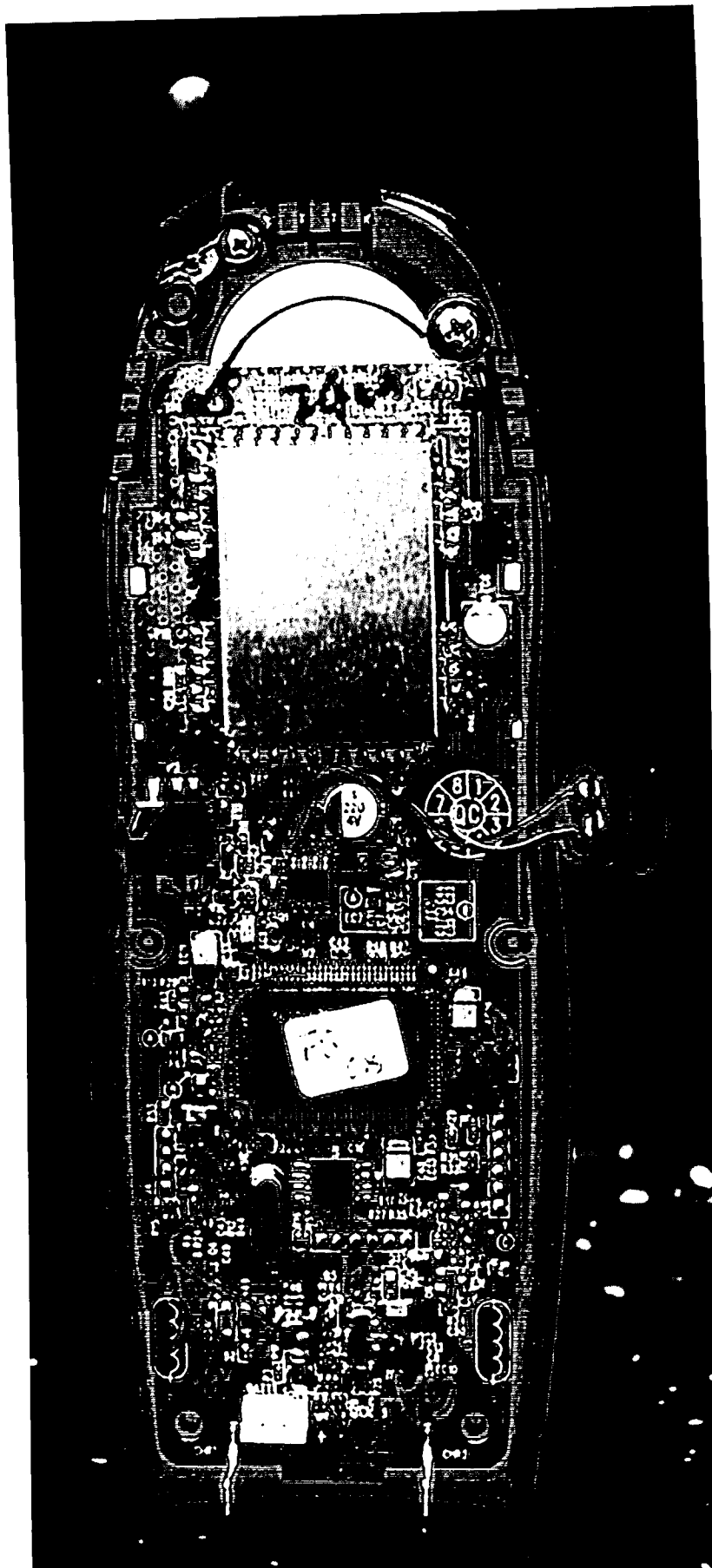












FCC ID: G9H2-1008A
Marstech Report No. 23172D
EXHIBIT E(2)-6

