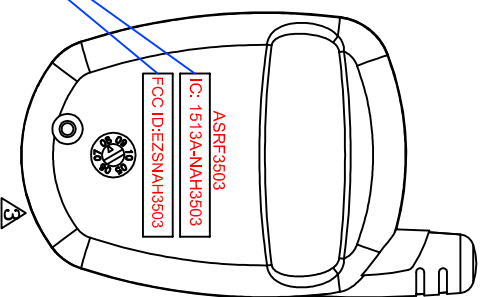
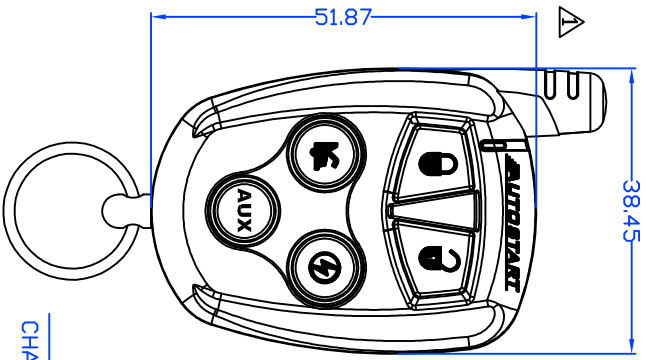
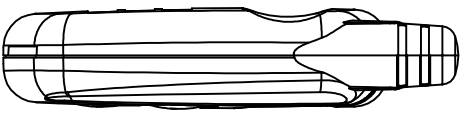
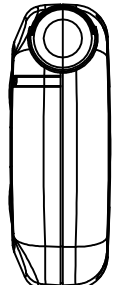
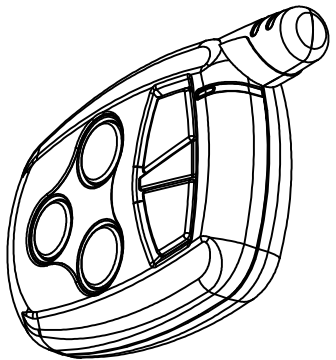


| REVISIONS | | | | |
|-----------|------|-------------|------|---------|
| REV. | ACC. | DESCRIPTION | DRN. | DATE |
| Δ | | CORRECT DWG | SRZ | 4/12/06 |
| | | | | |
| | | | | |
| | | | | |

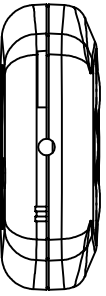


ENGRAVING?????
 CHANGE CORE(CAVE=0.2,FLASH)

- BODY MATERIAL : ABS+PC
1. Texture is same as MT-11010
 2. Radious will be 0.2 if not specified.
 3. Body color :
 4. Screw : MTF02008

*Tolerance please refer specification of tolerance units "C"

| UNIT | A | B | C |
|---------|-------|-------|-------|
| 0-5 | ±0.08 | ±0.16 | ±0.30 |
| 6-30 | ±0.10 | ±0.20 | ±0.40 |
| 30-120 | ±0.20 | ±0.40 | ±0.80 |
| 120-300 | ±0.40 | ±0.80 | ±2.00 |



| | | | | | |
|------------|------------|---------------|-----------------|---------------------|---------------|
| SCALE: 1:1 | UNIT: M/M | DRN BY: Eason | DATE: 2006/3/30 | MODEL#: AUTOSTART | |
| MATERIAL | CHK BY: YS | APPD BY: YCF | | SIZE: A4 | DEPT: 9510150 |
| FINISH | | | | DRAWING NO: 9510150 | REV: 3 |
| CODE | SHEET | OF | | | |