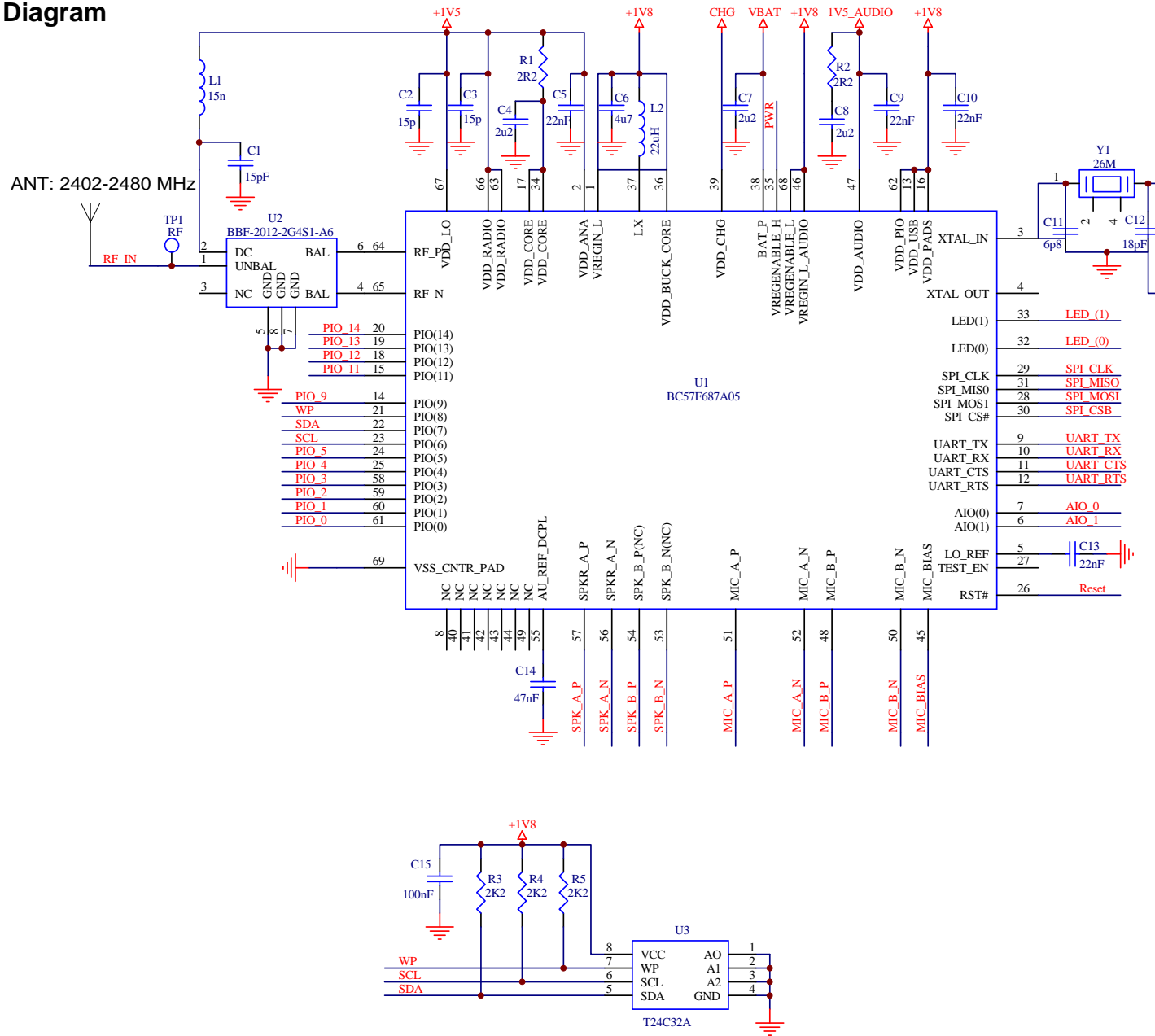
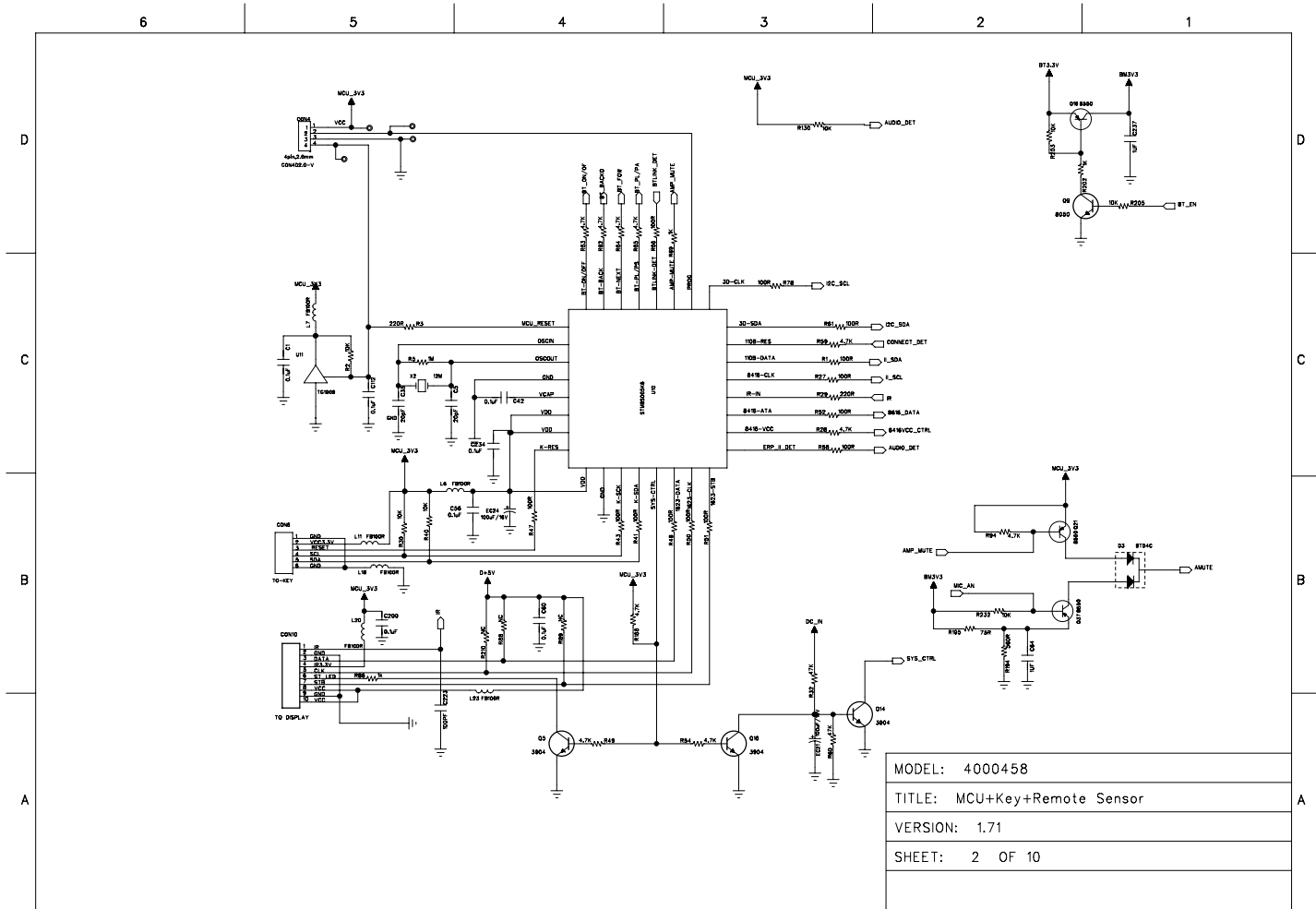
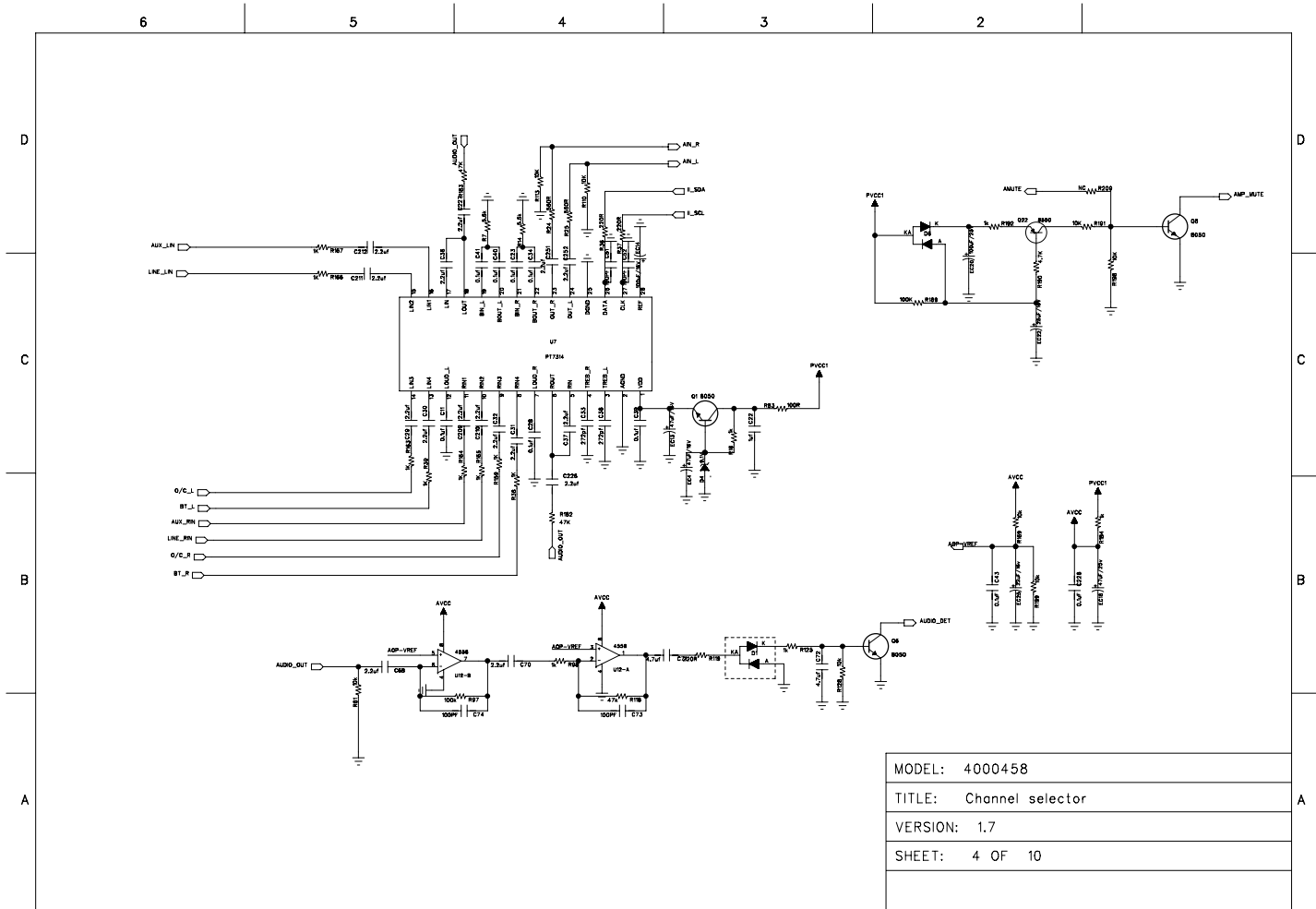


Circuit Diagram

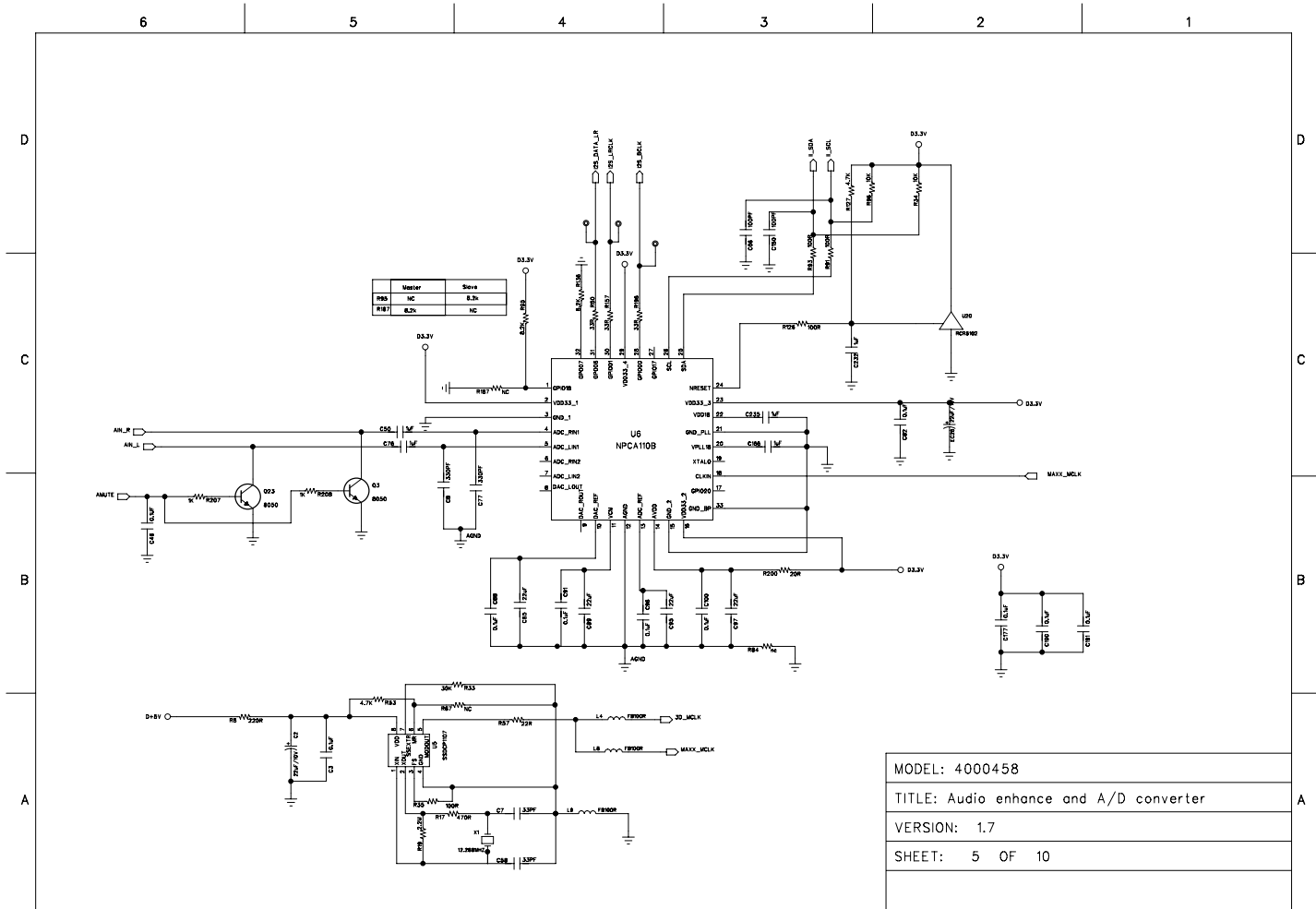


Rev No:A1		Fihonest Communication Co.,Ltd BTM521-VO1A Schematic Diagram		Date:2012-05-25 Sheet:1of1	
R&D	Drawn:	Checked By:	Approver By:		



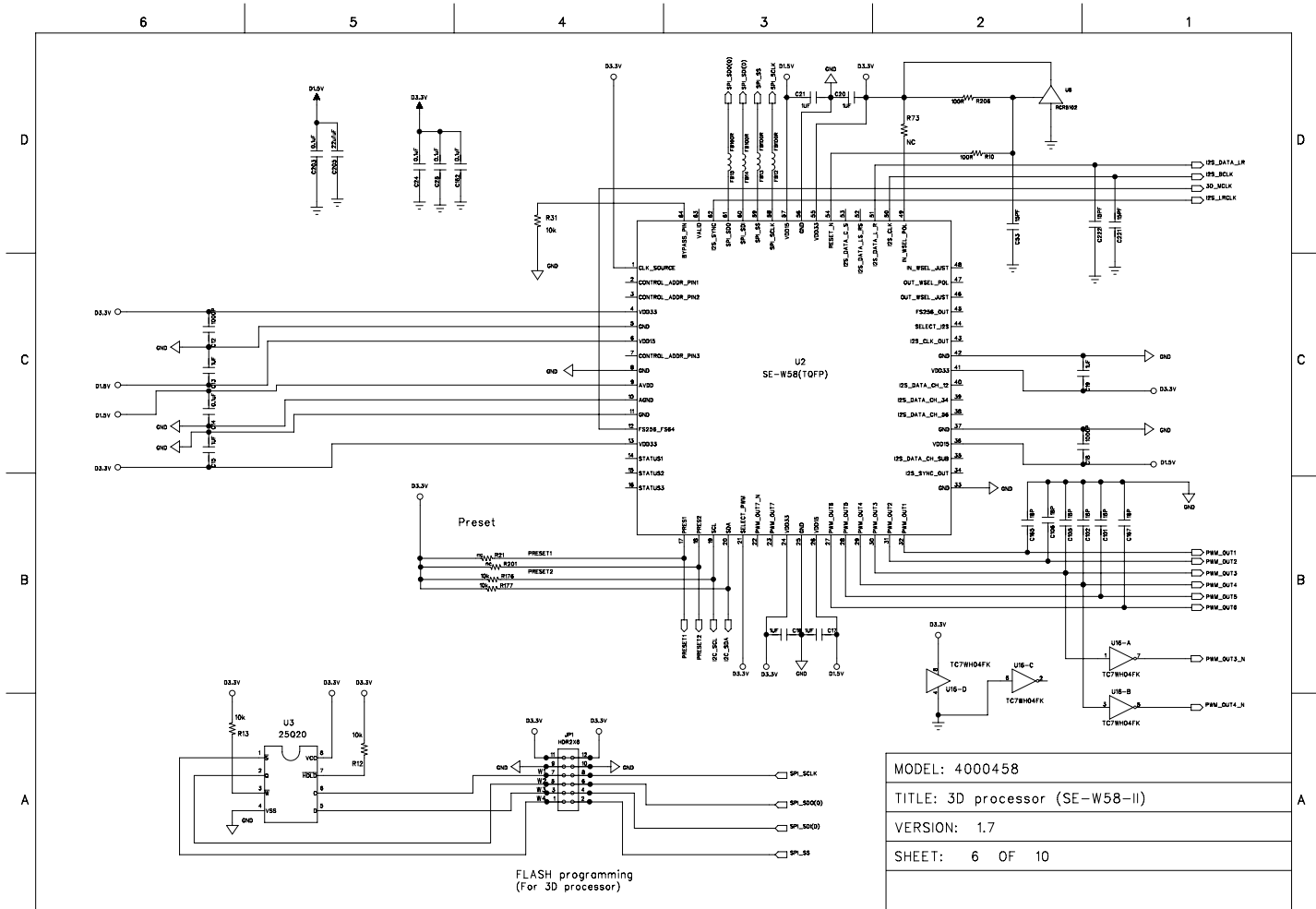


MODEL:	4000458
TITLE:	Channel selector
VERSION:	1.7
SHEET:	4 OF 10

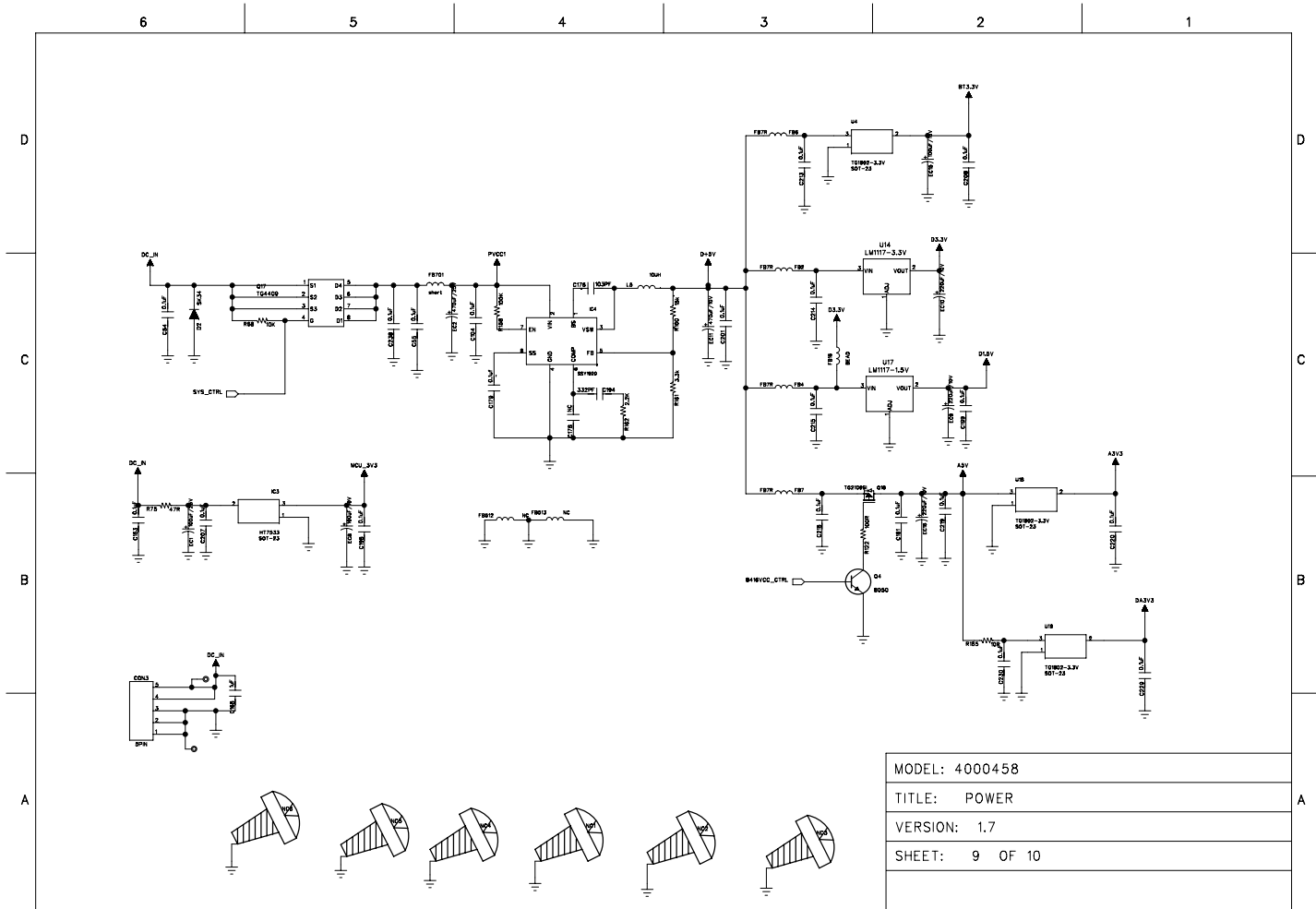


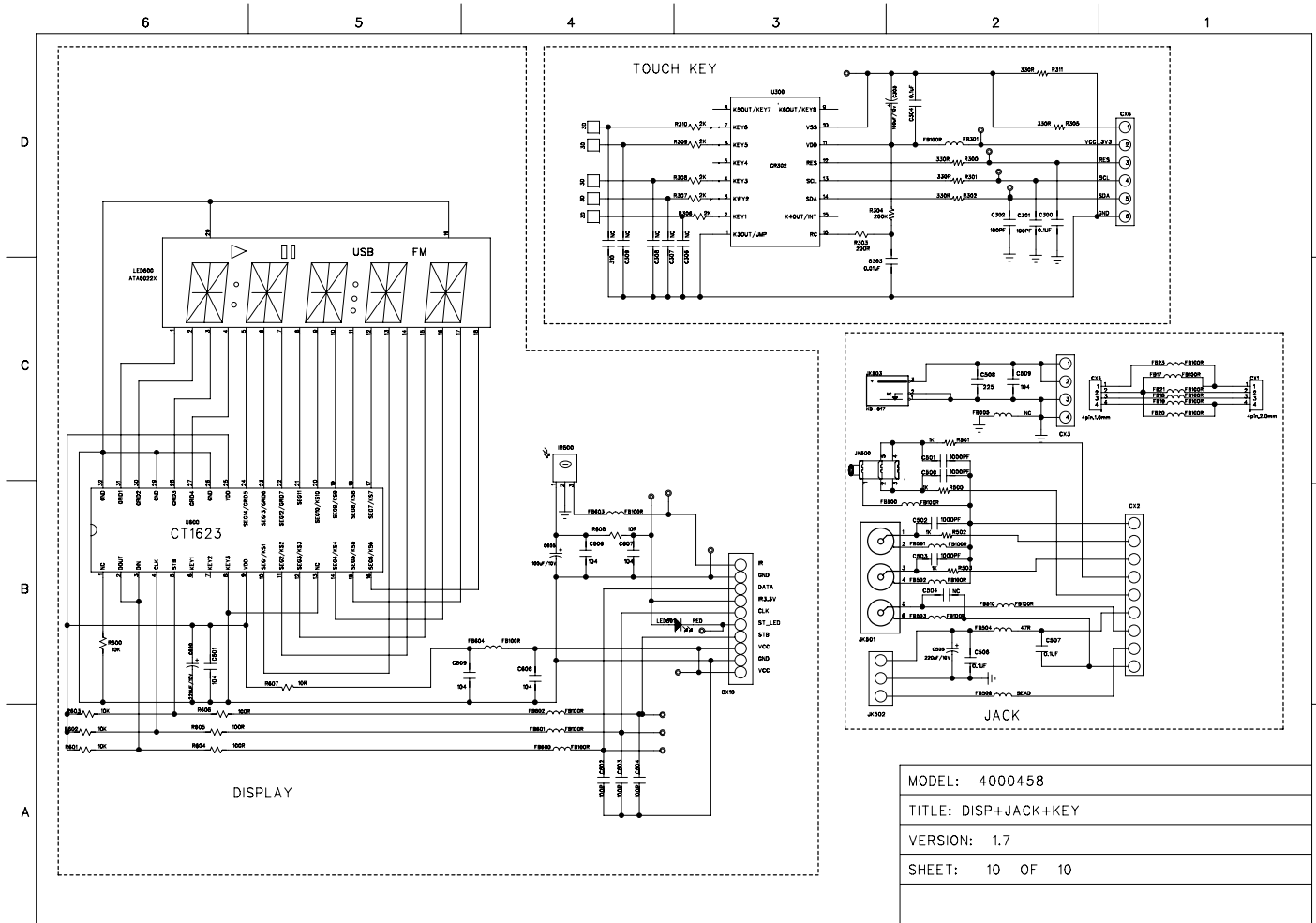
Master	Slave
R187	NC
R188	10k
R189	NC

MODEL: 4000458
 TITLE: Audio enhance and A/D converter
 VERSION: 1.7
 SHEET: 5 OF 10



MODEL: 4000458
TITLE: 3D processor (SE-W58-II)
VERSION: 1.7
SHEET: 6 OF 10





MODEL: 4000458
TITLE: DISP+JACK+KEY
VERSION: 1.7
SHEET: 10 OF 10