


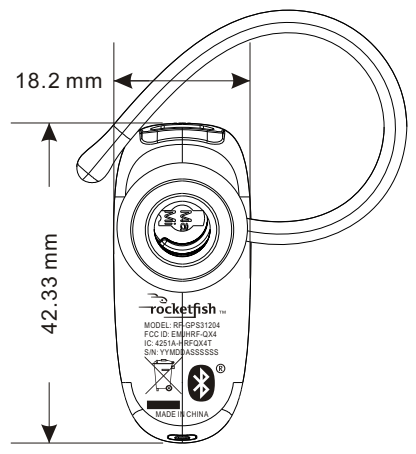


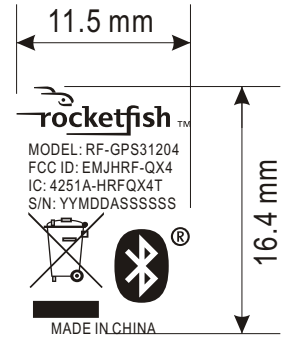
1 2 3 4 5 6 7

REV. 更改	DESCRIPTION 說明	ENG. 修改人	APPROVAL 審核

-  H= 3.25mm
W=11.5mm
-  H= 7mm
W=5mm
-  H= 5mm
W=5mm



1:1



2:1


NOTE:

1. SN FORMAT: YYMDDASSSSSS
 YY is a code for manufacturing year (10=2010, 11=2011.....)
 M is a code for manufacturing month (Jan=A, Feb=B, Mar=C,Del=L)
 DD is a code for manufacturing day of month (01,02,03,.....31)
 A is a code for factory (Dongguan=A)
 SSSSSS (6 digits) is a serial number (000001~999999)

Requirement of PRIMAX Green Part:

1. Comply with PRIMAX QW-5Q002"Green Product Chemical Substances Specification".
2. Follow customer's specification as required.
3. Follow Halogen- Free requirement : Br<900 ppm, Cl<900 ppm, Br+Cl< 1500 ppm if required

此料無需承認

<small>THESE DRAWING AND SPECIFICATIONS ARE THE PROPERTY OF PRIMAX ELECTRONICS LTD. AND SHALL NOT BE REPRODUCED COPIED OR USED IN ANY MANNER WITHOUT THE PRIOR WRITTEN CONSENT OF PRIMAX ELECTRONICS LTD.</small>		PRIMAX ® 東聚電子電訊制品有限公司 PRIMAX ELECTRONICS LTD.										
<small>UNLESS OTHERWISE SPECIFIED: DIMENSIONS ARE IN MILLIMETERS ANGULAR TOLERANCES: 1.0</small>		USED 用途 RF-GPS31204	APPD. 審核 Sunger Lee									
<table border="1"> <thead> <tr> <th>DIMENSIONS</th> <th>TOLERANCE</th> </tr> </thead> <tbody> <tr> <td>6.00 TO 30.00mm</td> <td>± 0.10mm</td> </tr> <tr> <td>30.01 TO 80.00mm</td> <td>± 0.13mm</td> </tr> <tr> <td>80.01 TO 150.00mm</td> <td>± 0.15mm</td> </tr> <tr> <td>150.01 ↑</td> <td>± 0.20mm</td> </tr> </tbody> </table>	DIMENSIONS	TOLERANCE	6.00 TO 30.00mm	± 0.10mm	30.01 TO 80.00mm	± 0.13mm	80.01 TO 150.00mm	± 0.15mm	150.01 ↑	± 0.20mm	FINISH 處理 SCALE 比例 /	CHKD. 校對 Hongmin Hu DR. 製圖 Quanyu Chang 2011/04/27
DIMENSIONS	TOLERANCE											
6.00 TO 30.00mm	± 0.10mm											
30.01 TO 80.00mm	± 0.13mm											
80.01 TO 150.00mm	± 0.15mm											
150.01 ↑	± 0.20mm											
MATERIAL 材質 SEE NOTE 1	TITLE 名稱 LASER MARKING											
	DWG NO. 圖號		SIZE 圖紙 A4									
	FILE NAME 檔案名稱	SHEET 張 1/1	REV. 更改 0.2									

1 2 3 4 5 6 THIS DRAWING MAY BE USED IN WHOLE OR PART

T-RR024 REVISED JAN. 95* BY THOMAS HSU

1 2 3 4 5 6 7

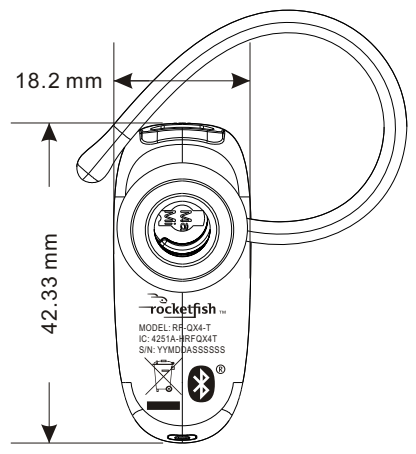
REV.	DESCRIPTION	ENG.	APPROVAL
更改	說明	修改人	審核

A
B
C
D
E

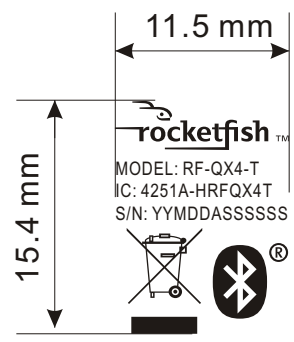
rocketfish™ H= 3.25mm
W=11.5mm

H= 7mm
W=5mm

H= 5mm
W=5mm



1:1



2:1

NOTE:

- SN FORMAT: YYMDDASSSSSS
 YY is a code for manufacturing year (10=2010, 11=2011.....)
 M is a code for manufacturing month (Jan=A, Feb=B, Mar=C,Del=L)
 DD is a code for manufacturing day of month (01,02,03,.....31)
 A is a code for factory (Dongguan=A)
 SSSSSS (6 digits) is a serial number (000001~999999)

Requirement of PRIMAX Green Part:

- Comply with PRIMAX QW-5Q002“Green Product Chemical Substances Specification”.
- Follow customer's specification as required.
- Follow Halogen- Free requirement : Br<900 ppm, Cl<900 ppm, Br+Cl< 1500 ppm if required

此料無需承認

<small>THESE DRAWING AND SPECIFICATIONS ARE THE PROPERTY OF PRIMAX ELECTRONICS LTD. AND SHALL NOT BE REPRODUCED COPIED OR USED IN ANY MANNER WITHOUT THE PRIOR WRITTEN CONSENT OF PRIMAX ELECTRONICS LTD.</small>		PRIMAX ® 東聚電子電訊制品有限公司 PRIMAX ELECTRONICS LTD.	
<small>UNLESS OTHERWISE SPECIFIED: DIMENSIONS ARE IN MILLIMETERS ANGULAR TOLERANCES: 1.0</small>		USED 用途 RF-QX4	APPD. 審核 Sunger Lee
DIMENSIONS 6.00 TO 30.00mm ± 0.10mm	TOLERANCE ± 0.10mm	FINISH 處理	CHKD. 校對 Hongmin Hu
30.01 TO 80.00mm ± 0.13mm	± 0.13mm	SCALE 比例 /	DR. 製圖 Quanyu Chang 2011/04/15
80.01 TO 150.00mm ± 0.15mm	± 0.15mm	UNIT 單位 mm	DR. 製圖 Quanyu Chang 2011/04/15
150.01 ↑ ± 0.20mm	± 0.20mm	TITLE 名稱 LASER MARKING	
MATERIAL 材質 SEE NOTE 1		DWG NO. 圖號	SIZE 圖紙 A4
FILE NAME 檔案名稱		SHEET 張 1/1	REV. 更改 0.3

1 2 3 4 5 6 THIS DRAWING MAY BE USED IN WHOLE OR PART

T-RR024 REVISED JAN. 95* BY THOMAS HSU