

4.0 Markings: The -002 assembly serial number label will have the China RoHS pollution control label, P/N 355-082-003 or equivalent, and the manufacture date code label, P/N 355-086-001 or equivalent, attached to the bottom of the unit as shown in Paragraph 9.0. Additionally, the -002 assembly will have Substance Disclosure Table A, P/N 933-072-001 or equivalent, packaged with the antenna. Packaging labeling shall be per Intermec documents as shown below, latest revision:

606427 - Dash Number Part Identification and Marking
609030 - US Customs Product Documentation Requirements
607767 - Packaging and Labeling Requirements for Incoming Materials

5.0 Antenna Specifications:

- 5.1 Center Frequency: 2450 MHz
- 5.2 Frequency Bandwidth: 100 MHz
- 5.3 Nominal Impedance: 50 Ohms
- 5.4 VSWR: 2:1 (minimum performance)
- 5.5 Antenna Peak Gain: 3.0 dBi
- 5.6 Pattern (Total Power): Omnidirectional
- 5.7 Maximum Input Power: 50 Watts
- 5.8 Polarization: Mixed

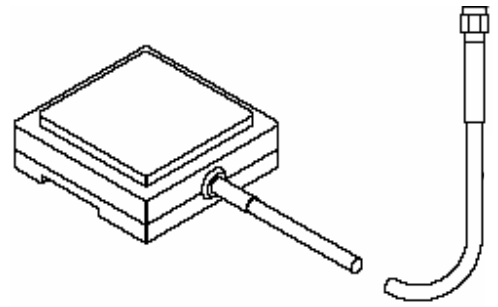
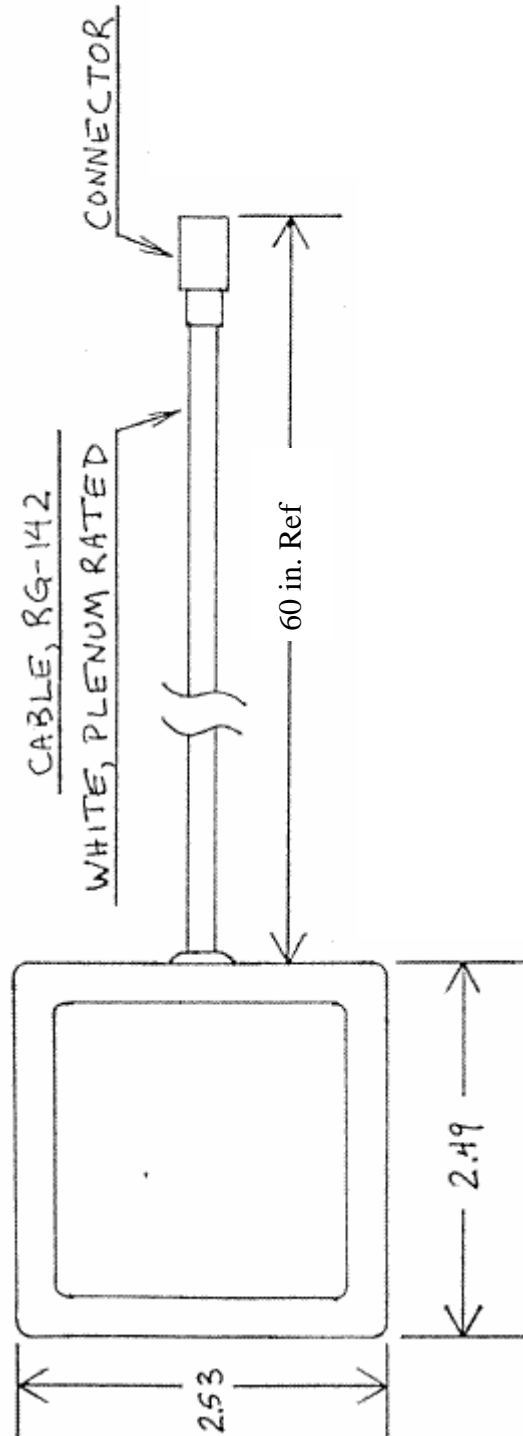
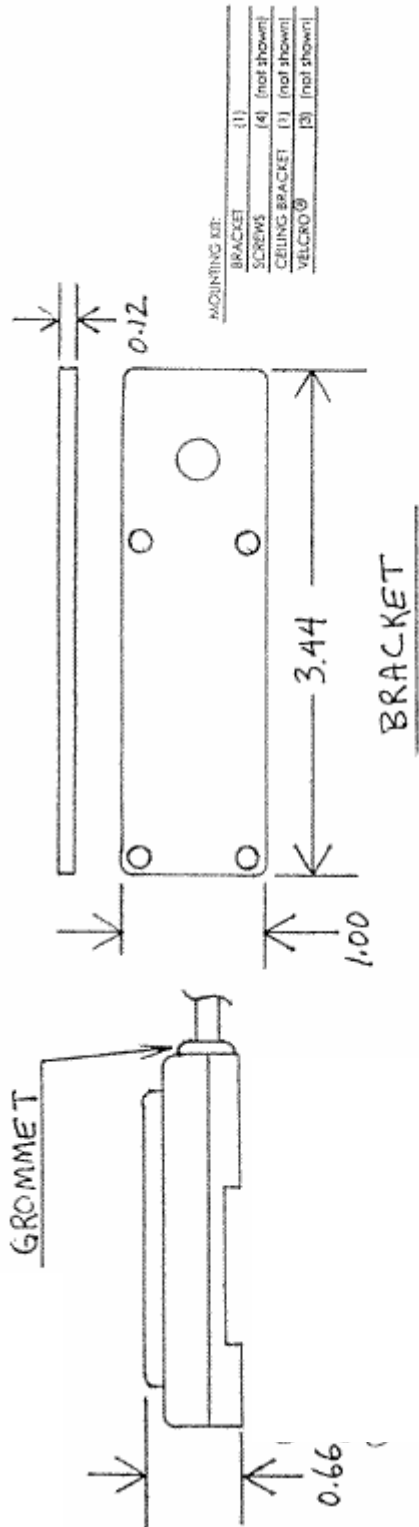
6.0 Mechanical Specifications:

- 6.1 Antenna Type: Air-loaded patch
- 6.2 Operating Temperature Range: -40°C to +70°C
- 6.3 Storage Temperature Range: -40°C to +70°C
- 6.4 Antenna Mounting Means: Supplied with bracket, ceiling bracket, screws and velcro strips

7.0 Materials:

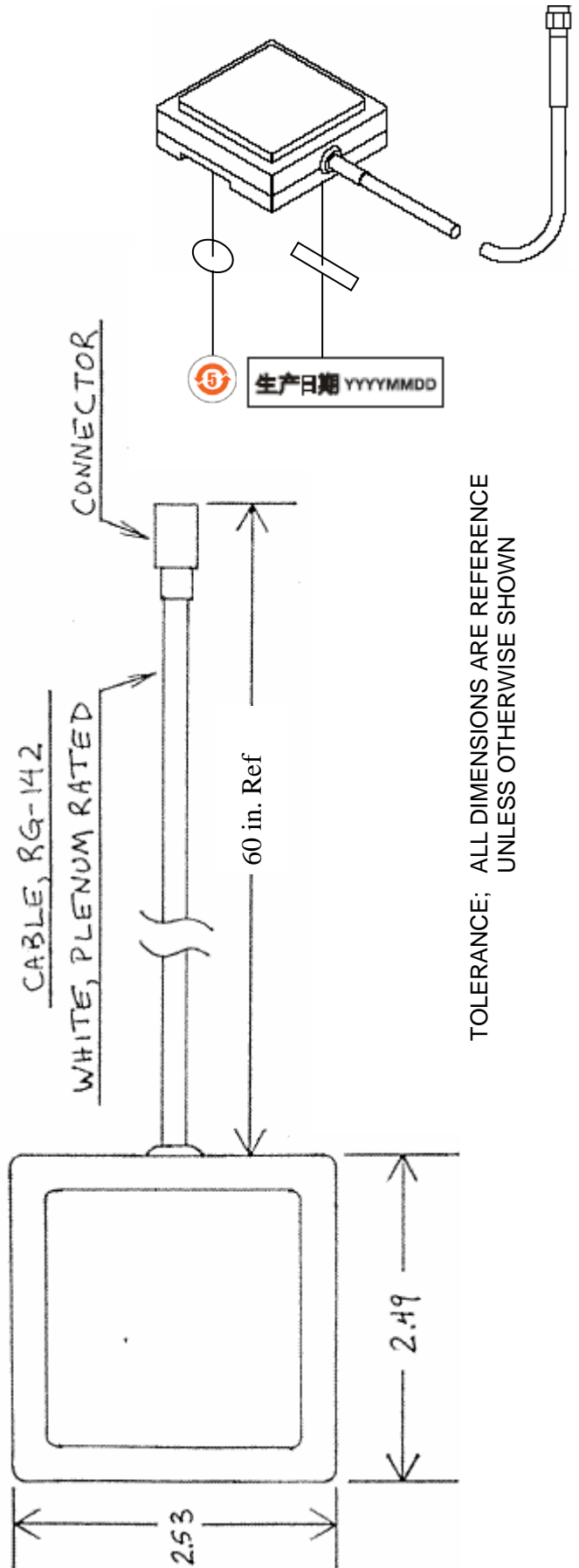
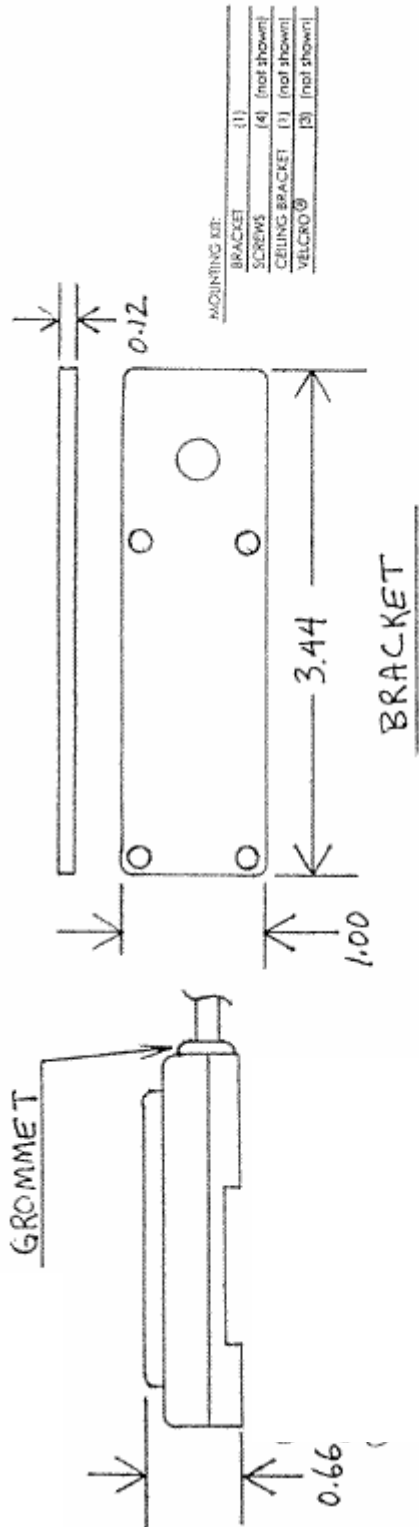
- 7.1 Antenna Elements: Not specified
- 7.2 Radome Material: ABS, off-white color
- 7.3 Cable Assembly: 60 inches (ref.) of 50 ohm coaxial cable, RG-142 style, with reverse polarity SMA plug

8.0 Assembly Drawing: -001 Assembly



TOLERANCE; ALL DIMENSIONS ARE REFERENCE
UNLESS OTHERWISE SHOWN

9.0 Assembly Drawing: -002 Assembly



TOLERANCE; ALL DIMENSIONS ARE REFERENCE UNLESS OTHERWISE SHOWN