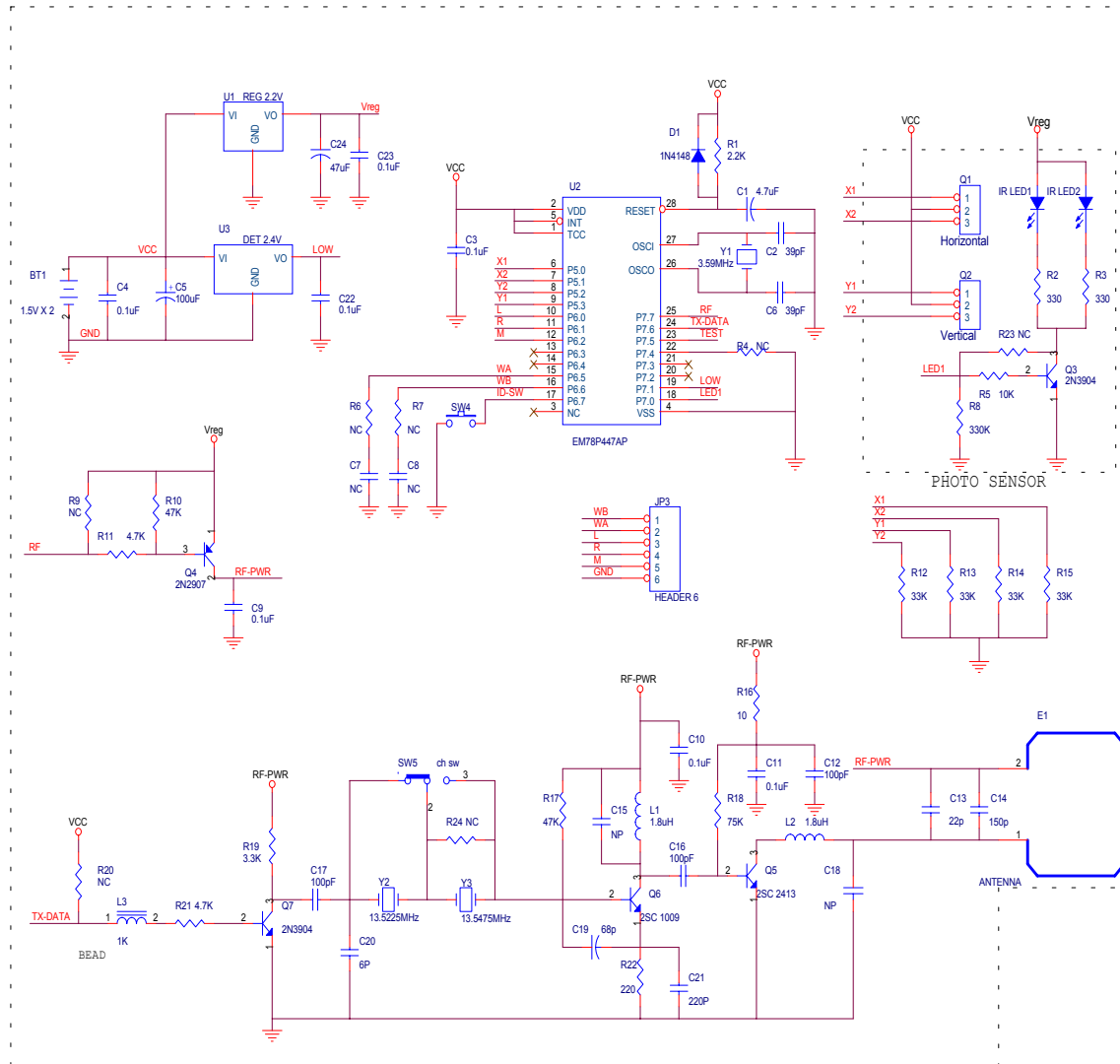


MOUSE PCB B



MOUSE PCB A

