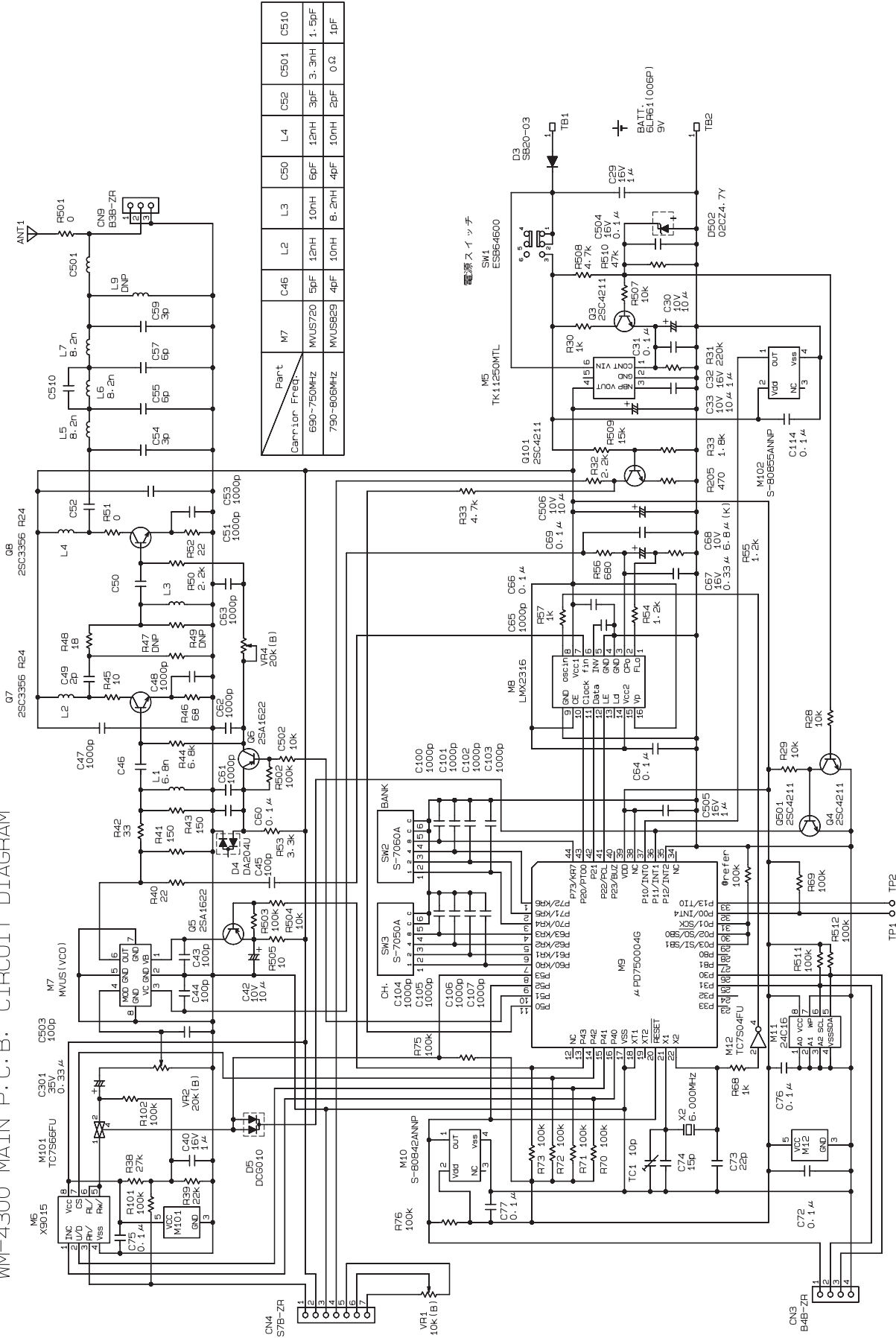


8. CIRCUIT DIAGRAM

WM-4300 MAIN P.C.B. CIRCUIT DIAGRAM



Part	Carrier Freq.	M7	C46	L2	L3	C50	L4	C52	C501	C510
	690-750MHz	MVUS720	5pF	12nH	10nH	56pF	12nH	3pF	3.3nH	1.5pF
	790-805MHz	MVUS829	4pF	10nH	8.2nH	4pF	10nH	2pF	0.0	1pF

WM-4300 AF P.C.B. CIRCUIT DIAGRAM

