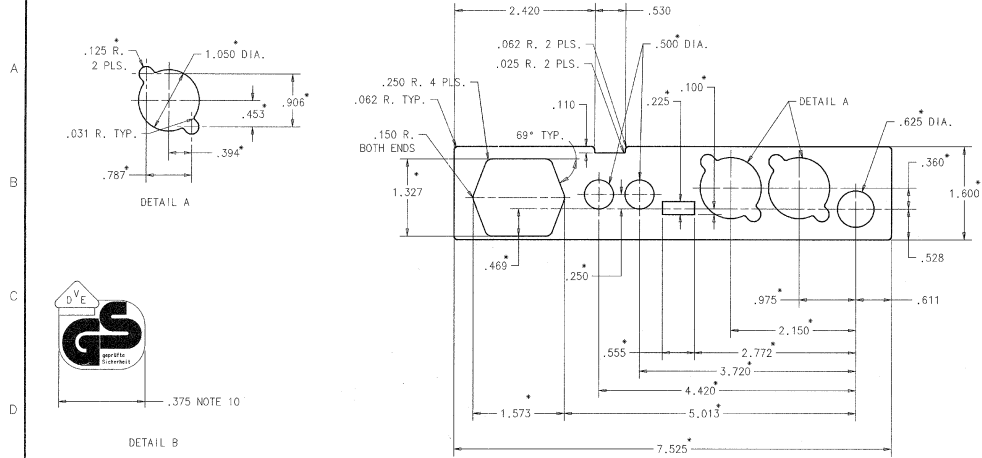
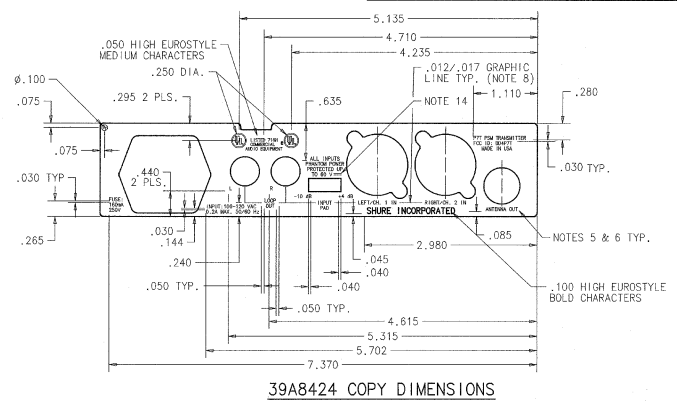


DESCRIPTION: REAR NAMEPLATE - PSM TRANSMITTER  
 NO. 39-8424

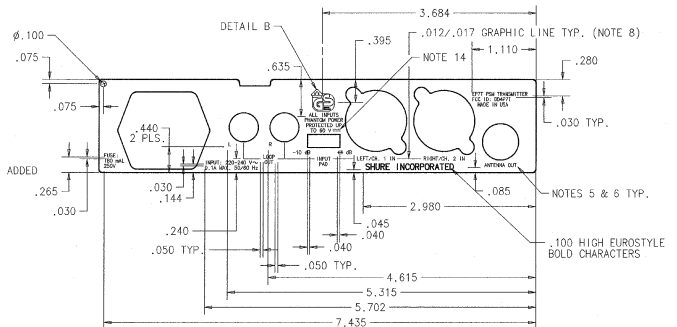
SHEET NO. 1 OF 1 SHEETS  
 RECORD OF CHANGES MADE



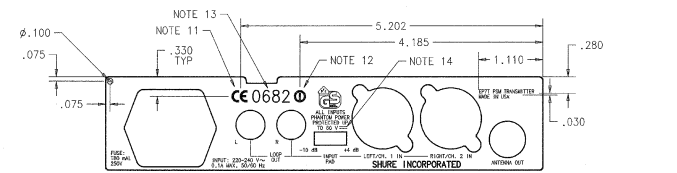
DIECUT DIMENSIONS



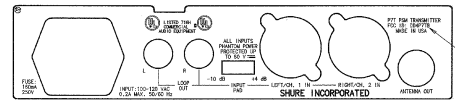
39A8424 COPY DIMENSIONS



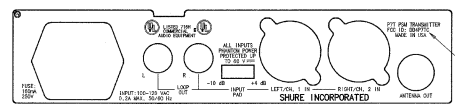
39B8424 COPY DIMENSIONS



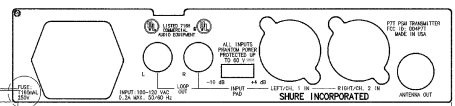
39C8424 COPY DIMENSIONS  
 (COPY IDENTICAL TO 39B8424 EXCEPT AS INDICATED)



39D8424  
 (COPY IDENTICAL TO 39A8424 EXCEPT AS INDICATED)



39E8424  
 (COPY IDENTICAL TO 39A8424 EXCEPT AS INDICATED)



39F8424  
 (COPY IDENTICAL TO 39A8424 EXCEPT AS INDICATED)

NOTE: T160xAL

- NOTES:
- TOLERANCES: DECIMAL ±.010, HOLES ±.010, ANGLES ±1°, UNLESS OTHERWISE SPECIFIED.
  - MATERIAL TO BE SUB-SURFACE PRINTED .010 THICK POLYCARBONATE WITH PRESSURE-SENSITIVE ADHESIVE SUITABLE FOR PERMANENT APPLICATION TO GALVANIZED STEEL AND BE UL AND CSA APPROVED. SUPPLIED WITH DRY RELEASE LINER.
  - ARTWORK TO BE APPROVED BY SHURE INCORPORATED DESIGN ENGINEERING DEPT. PRIOR TO INITIAL PRODUCTION RUN.
  - ALL COPY TO BE WHITE ON MATTE BLACK BACKGROUND.
  - CENTER ALL COPY WITH ASSOCIATED HOLES WITHIN .016 T.I.R.
  - ALL CHARACTERS TO BE .060 HIGH EUROSTYLE MEDIUM UNLESS OTHERWISE SPECIFIED.
  - DIMENSIONS INDICATED BY AN ASTERISK (\*) ARE CRITICAL FOR PROPER FIT/CLEARANCE WITH MATING PARTS.
  - CENTER ASSOCIATED TEXT VERTICALLY ON GRAPHICS LINE WITHIN .016 T.I.R.
  - DRY RELEASE LINER TO BE NOT SPLIT.
  - INDICATED GRAPHICS TO BE REPRODUCED FROM ARTWORK #GR1323 AS SUPPLIED BY SHURE INCORPORATED DESIGN ENGINEERING DEPT.
  - INDICATED GRAPHICS TO BE .197 (5mm) MINIMUM HEIGHT AND REPRODUCED FROM ARTWORK #CR1468 AS SUPPLIED BY SHURE INCORPORATED DESIGN ENGINEERING DEPT.
  - INDICATED GRAPHICS TO BE .197 (5mm) MINIMUM HEIGHT AND REPRODUCED FROM ARTWORK #CR1781 AS SUPPLIED BY SHURE INCORPORATED DESIGN ENGINEERING DEPT.
  - NUMBER TO BE CENTERED HORIZONTALLY BETWEEN "CE" AND "C". ALIGN VERTICALLY ALONG CENTERLINE OF SYMBOLS. TEXT HEIGHT TO BE .197 (5mm) MINIMUM.
  - INDICATED GRAPHICS TO BE .060 IN HEIGHT AND REPRODUCED FROM ARTWORK #CR1785 AS SUPPLIED BY SHURE INCORPORATED DESIGN ENGINEERING DEPT.

NO.	DESCRIPTION	DATE
1	REMOVED CHAMFER FROM FRONT OF NAMEPLATE	MIA 1/12/98
2	CHANGED VMC TO 'Y' ON DRAWING	MIA 1/12/98
3	CHANGED 39A8424 TO 39B8424 TO REFLECT UL CODES AND SYMBOLS	MIA 1/12/98
4	ADDED PCT NUMBER TO 39B8424; REMOVED 39D8424	MIA 2/23/98
5	PRODUCT OF RELEASE	MIA 4/9/99 CUM
6	ECO 81707 ADDED TO PRINT AT "A-10", "C-10", "I-10", "MIA"	
7	ECO 83045	
8	ECO 83046	
9	ECO 83047	
10	ECO 83048	
11	ECO 83049	
12	ECO 83050	
13	ECO 83051	
14	ECO 83052	
15	ECO 83053	
16	ECO 83054	
17	ECO 83055	
18	ECO 83056	
19	ECO 83057	
20	ECO 83058	
21	ECO 83059	
22	ECO 83060	
23	ECO 83061	
24	ECO 83062	
25	ECO 83063	
26	ECO 83064	
27	ECO 83065	
28	ECO 83066	
29	ECO 83067	
30	ECO 83068	
31	ECO 83069	
32	ECO 83070	
33	ECO 83071	
34	ECO 83072	
35	ECO 83073	
36	ECO 83074	
37	ECO 83075	
38	ECO 83076	
39	ECO 83077	
40	ECO 83078	
41	ECO 83079	
42	ECO 83080	
43	ECO 83081	
44	ECO 83082	
45	ECO 83083	
46	ECO 83084	
47	ECO 83085	
48	ECO 83086	
49	ECO 83087	
50	ECO 83088	
51	ECO 83089	
52	ECO 83090	
53	ECO 83091	
54	ECO 83092	
55	ECO 83093	
56	ECO 83094	
57	ECO 83095	
58	ECO 83096	
59	ECO 83097	
60	ECO 83098	
61	ECO 83099	
62	ECO 83100	
63	ECO 83101	
64	ECO 83102	
65	ECO 83103	
66	ECO 83104	
67	ECO 83105	
68	ECO 83106	
69	ECO 83107	
70	ECO 83108	
71	ECO 83109	
72	ECO 83110	
73	ECO 83111	
74	ECO 83112	
75	ECO 83113	
76	ECO 83114	
77	ECO 83115	
78	ECO 83116	
79	ECO 83117	
80	ECO 83118	
81	ECO 83119	
82	ECO 83120	
83	ECO 83121	
84	ECO 83122	
85	ECO 83123	
86	ECO 83124	
87	ECO 83125	
88	ECO 83126	
89	ECO 83127	
90	ECO 83128	
91	ECO 83129	
92	ECO 83130	
93	ECO 83131	
94	ECO 83132	
95	ECO 83133	
96	ECO 83134	
97	ECO 83135	
98	ECO 83136	
99	ECO 83137	
100	ECO 83138	
101	ECO 83139	
102	ECO 83140	
103	ECO 83141	
104	ECO 83142	
105	ECO 83143	
106	ECO 83144	
107	ECO 83145	
108	ECO 83146	
109	ECO 83147	
110	ECO 83148	
111	ECO 83149	
112	ECO 83150	
113	ECO 83151	
114	ECO 83152	
115	ECO 83153	
116	ECO 83154	
117	ECO 83155	
118	ECO 83156	
119	ECO 83157	
120	ECO 83158	
121	ECO 83159	
122	ECO 83160	
123	ECO 83161	
124	ECO 83162	
125	ECO 83163	
126	ECO 83164	
127	ECO 83165	
128	ECO 83166	
129	ECO 83167	
130	ECO 83168	
131	ECO 83169	
132	ECO 83170	
133	ECO 83171	
134	ECO 83172	
135	ECO 83173	
136	ECO 83174	
137	ECO 83175	
138	ECO 83176	
139	ECO 83177	
140	ECO 83178	
141	ECO 83179	
142	ECO 83180	
143	ECO 83181	
144	ECO 83182	
145	ECO 83183	
146	ECO 83184	
147	ECO 83185	
148	ECO 83186	
149	ECO 83187	
150	ECO 83188	
151	ECO 83189	
152	ECO 83190	
153	ECO 83191	
154	ECO 83192	
155	ECO 83193	
156	ECO 83194	
157	ECO 83195	
158	ECO 83196	
159	ECO 83197	
160	ECO 83198	
161	ECO 83199	
162	ECO 83200	

<b>CONFIDENTIAL</b>	
NO. 39-8424	DATE: 1/12/98
MATERIAL: NOTE 2	FINISH:
NOTES: - DO NOT SCALE DRAWING. - DIMENSIONS SHOWN APPLY BEFORE PLATING. - ALL DIMENSIONS IN INCHES UNLESS OTHERWISE SPECIFIED.	
NOTICE: THIS DRAWING IS THE PROPERTY OF SHURE INCORPORATED AND IS LOANED TO YOU BY SHURE INCORPORATED. IT IS TO BE USED ONLY FOR THE PURPOSES FOR WHICH IT WAS LOANED. IT IS NOT TO BE REPRODUCED, COPIED, OR IN ANY MANNER DISSEMINATED WITHOUT THE WRITTEN PERMISSION OF SHURE INCORPORATED. THIS DRAWING IS NOT TO BE USED FOR ANY OTHER PURPOSES WITHOUT THE WRITTEN PERMISSION OF SHURE INCORPORATED. THIS DRAWING AND ALL COPIES MUST BE RETURNED TO SHURE INCORPORATED.	
DRAWN: MIA 2/22/98 APPROVED: MIA 2/24/98 LL EXTENDED: GUM 2/15/98 APPROVED: GUM 4/4/98	DESIGNED: MIA 1/12/98 CHECKED: MIA 1/12/98 APPROVED: MIA 1/12/98 EXTENDED: GUM 2/15/98 APPROVED: GUM 4/4/98

A-ZIMS