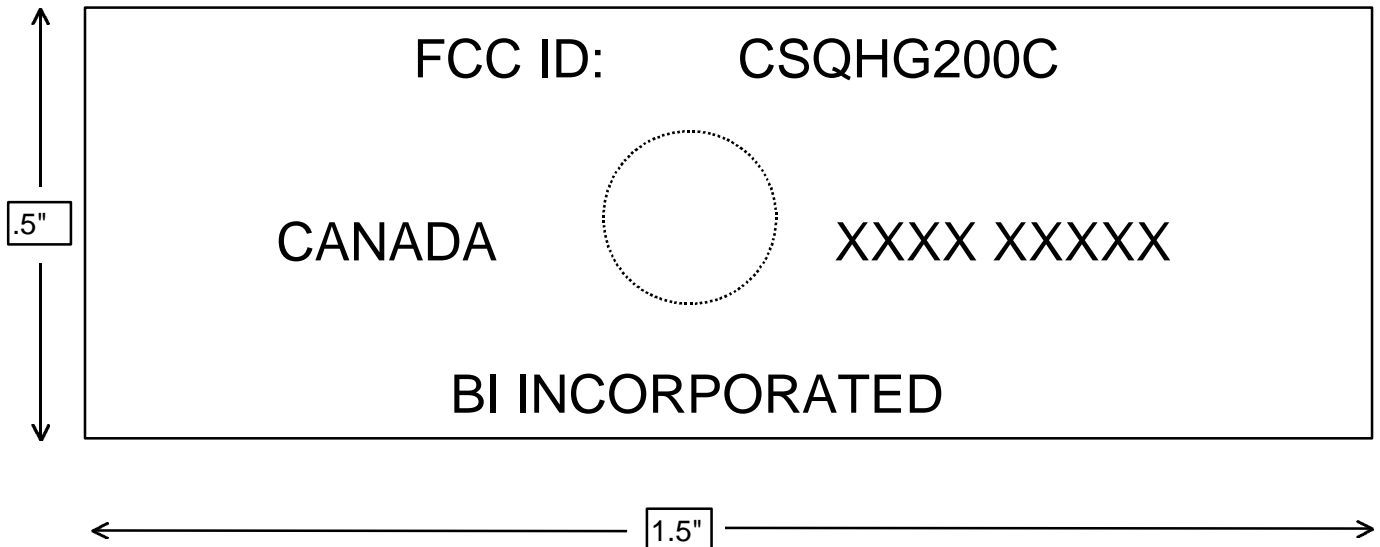


FCC LABEL

A drawing of the FCC label information that will be permanently affixed to the transmitter case is shown below. The location is on the bottom of the plastic case.

Due to the small size of this device, it is not practical to place the complete label statement on the transmitter. Therefore, the information shown below is included in the instruction manual:

This device complies with Part 15 of the FCC Rules. Operation is subject to the following two conditions: (1) this device may not cause harmful interference, and (2) this device must accept any interference received, including interference that may cause undesired operation.



FCC ID information is located here on bottom of case