

**SCHEMATICS FOR THE AGILE SYNTHESIZER DRAWER**

SDA1250C / SDA2500C / SDA5000C AGILE TRANSMITTER		
AGILE SYNTHESIZER DRAWER – 20-379-02 (AGILE TRANSMITTERS ONLY)		
MODULE/BOARD	NAME	SCHEMATIC
09-075-2g60-02	Synthesizer module	
35-078-02	Syn w/50KHz step PCB (digital)	<a href="#">35-063-01</a>
33-360-02	Syn w/50KHz step PCB (analog/VCO)	<a href="#">33-291-01</a>
04-305-02	ALC module for the agile synthesizer	
40-228-02	ALC LO PCB	<a href="#">40-228-01</a>
35-071-02	Power supply PCB	<a href="#">35-071-01</a>
34-015-02	Precorrector calibration control PCB	<a href="#">34-015-01</a>
09-062-02	UHF upconverter module	
34-007-02	UHF synthesizer/upconverter PCB	<a href="#">34-007-01</a>

All information contained in this document is confidential and proprietary to THOMCAST and shall not be disclosed without the prior written permission of THOMCAST.

CREATED: KAS ..... 3/8/00

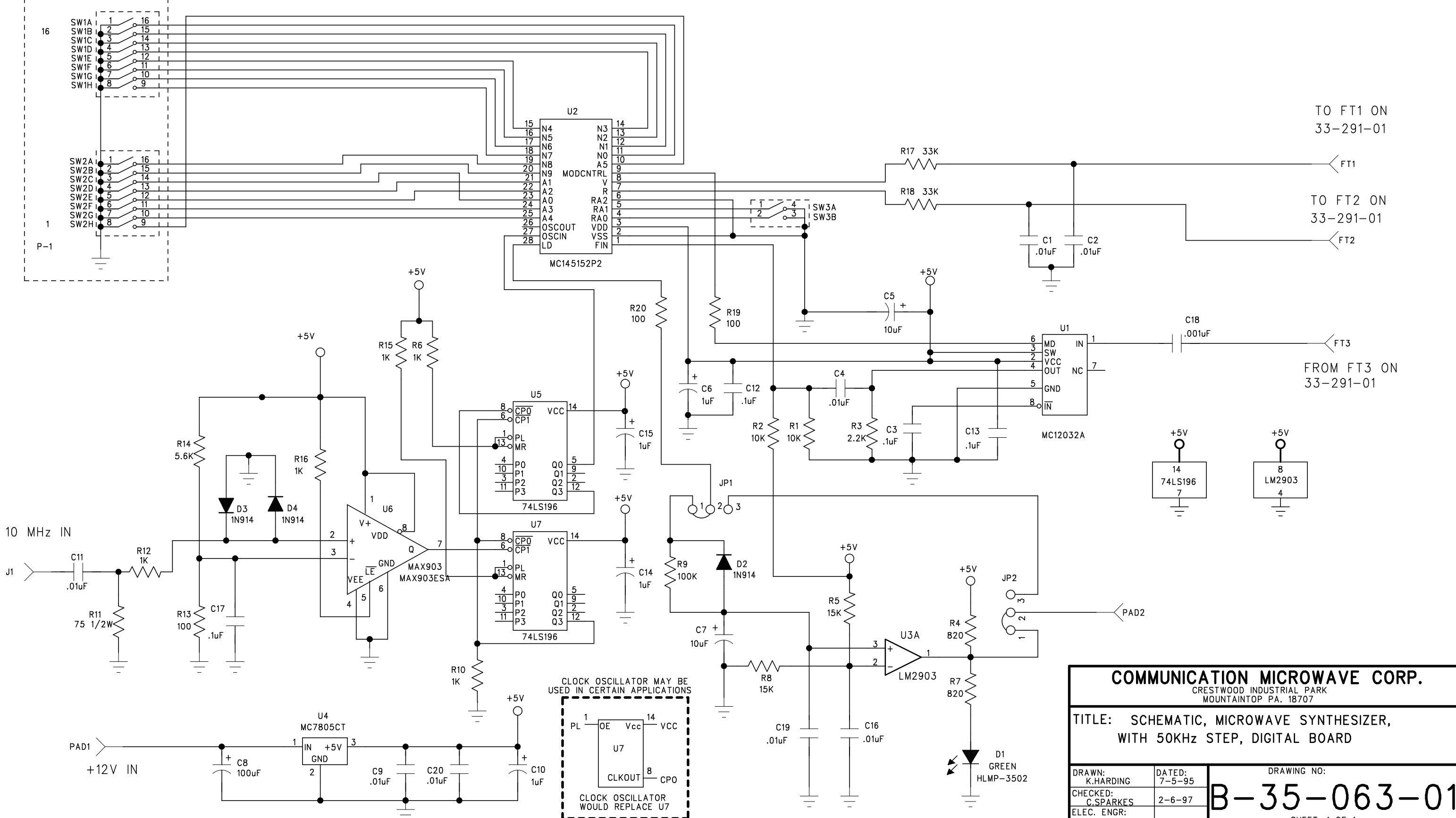
CHECKED: DMW ..... 3/8/00

RELEASED: PRC ..... 3/8/00

REVISION RECORD			
LTR	ECO NO:	APPROVED:	DATE:
E	96-210	C.SPARKES	6-26-96
F	97-007	D.SCHOCK	2-3-97
D	95-404	L.HANEY	12-27-95

NOTE: UNLESS OTHERWISE SPECIFIED  
1. ALL RESISTORS ARE IN OHM'S, 1/8W CHIP

FOR AGILE CONTROLLER  
16 POS. CONNECTOR IS  
USED INSTEAD OF SW1 & SW2



TO FT1 ON  
33-291-01

TO FT2 ON  
33-291-01

FROM FT3 ON  
33-291-01

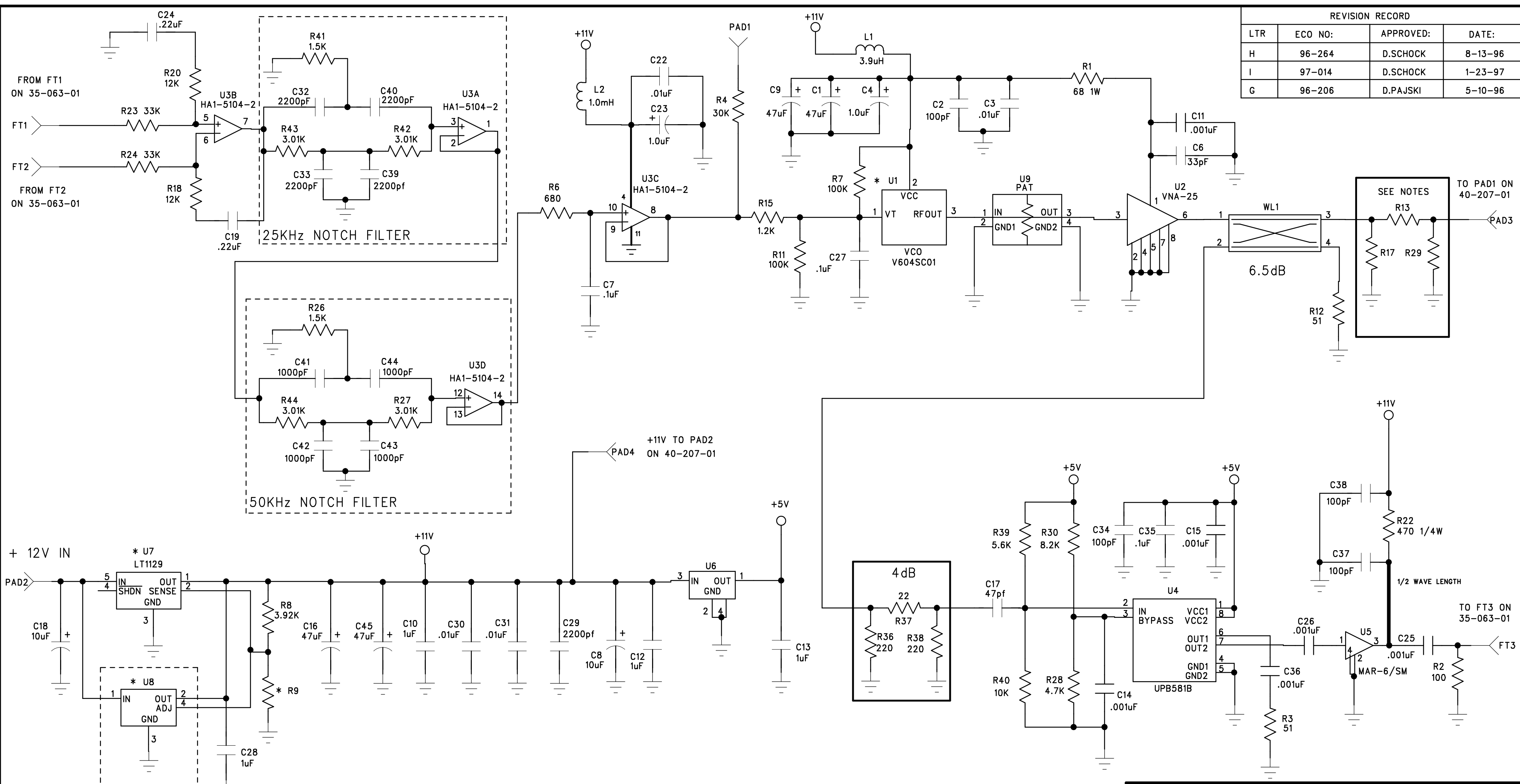
**COMMUNICATION MICROWAVE CORP.**  
CRESTWOOD INDUSTRIAL PARK  
MOUNTAINTOP PA. 18707

TITLE: SCHEMATIC, MICROWAVE SYNTHESIZER,  
WITH 50KHz STEP, DIGITAL BOARD

DRAWN: K.HARDING	DATED: 7-5-95	DRAWING NO:	
CHECKED: C.SPARKES	2-6-97	<b>B-35-063-01</b>	
ELEC. ENGR:			
RELEASED: A.BRAGALONE	2-6-97	SCALE:	REV: F

SHEET: 1 OF 1

REVISION RECORD			
LTR	ECO NO:	APPROVED:	DATE:
H	96-264	D.SCHOCK	8-13-96
I	97-014	D.SCHOCK	1-23-97
G	96-206	D.PAJSKI	5-10-96



U8 IS AN ALTERNATE COMPONENT SEE NOTES

- NOTES:
- ALL RESISTORS ARE IN OHM'S, 1/8W CHIP UNLESS OTHERWISE MARKED
  - WHEN USED FOR 1.9- 2.4GHz, U1 IS 121-002-08  
R13, R17, R29 ARE DETERMINED BY TEST, R13 IS 0 OHM SHUNT PRIOR TO TESTING.
  - WHEN USED FOR 2.35 - 2.75GHz U1 IS V803SE01  
R13, R17, R29 ARE DETERMINED BY TEST, R13 IS 0 OHM SHUNT PRIOR TO TESTING.
  - U8 P/N PQ30RV11 IS USED AS AN ALTERNATE FOR U7 P/N LT1129CQ
  - WHEN U7 (P/N LT1129CQ) IS USED R9 IS 2K
  - WHEN U8 (P/N PQ30RV11) IS USED R9 IS 511 OHMS

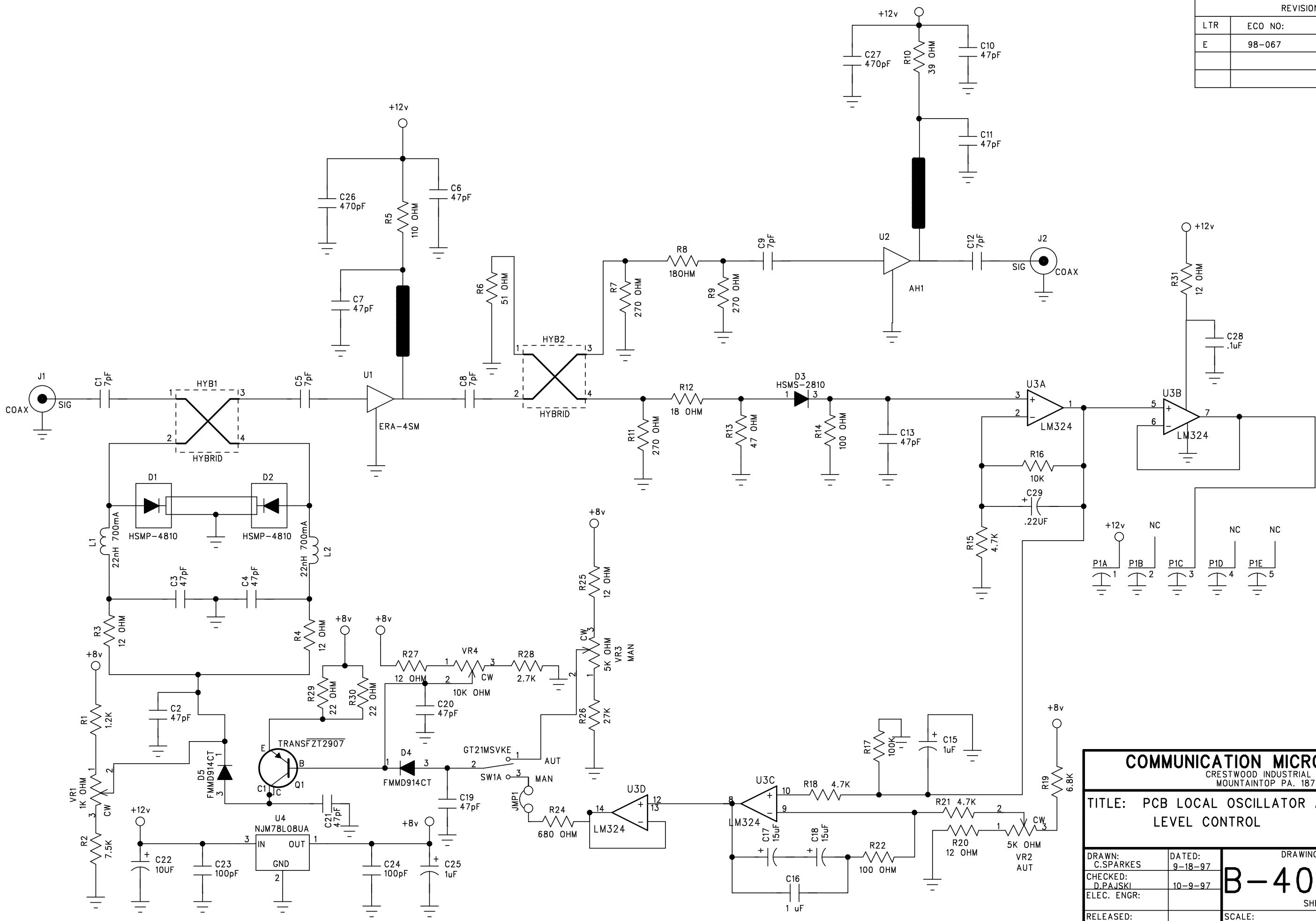
**COMMUNICATION MICROWAVE CORP.**  
CRESTWOOD INDUSTRIAL PARK  
MOUNTAINTOP PA. 18707

**TITLE: SCHEMATIC, MICROWAVE SYNTHESIZER, WITH 50KHz STEP, ANALOG/VCO BOARD**

DRAWN: K.HARDING	DATED: 8-9-95	<b>B-33-291-01</b>
CHECKED: C.SPARKES	2-6-97	
ELEC. ENGR:		SHEET: 1 OF 1
RELEASED: A.BRAGALONE	2-6-97	SCALE:      REV:

REVISION RECORD

LTR	ECO NO:	APPROVED:	DATE:
E	98-067	DMW	7/1/98



**COMMUNICATION MICROWAVE CORP.**  
 CRESTWOOD INDUSTRIAL PARK  
 MOUNTAINTOP PA. 18707

**TITLE: PCB LOCAL OSCILLATOR AUTO. LEVEL CONTROL**

DRAWN: C.SPARKES	DATED: 9-18-97	DRAWING NO: <b>B-40-228-01</b>
CHECKED: D.PAJSKI	10-9-97	SHEET: OF
ELEC. ENGR:		SCALE: OF
RELEASED: A.BRAGALONE	10-9-97	REV: <b>E</b>

6

5

4

3

2

1

REGULATOR MOUNTED ON CHASSIS

REVISION RECORD			
LTR	ECO NO:	COMPLETED BY:	DATE:
B	98-068	J.SCHWARTZ	6-22-98

D

D

C

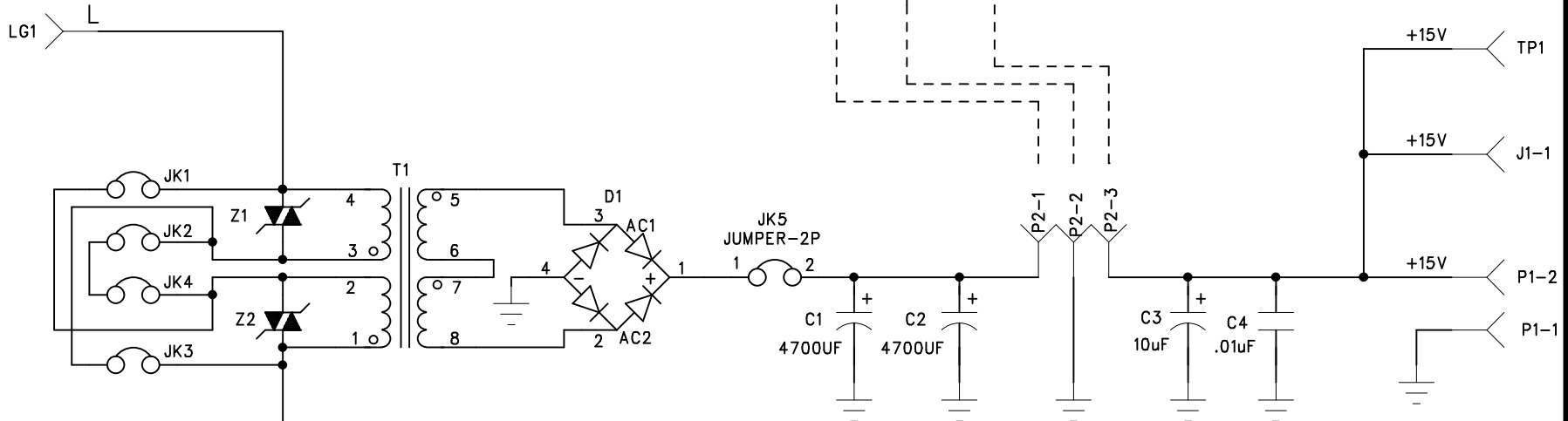
C

B

B

A

A



NOTES:

1. SCHEMATIC OF ISSUE 2 PCB
2. INSTALL JUMPERS ON JK1 & JK3 FOR 110V.
3. INSTALL JUMPERS ON JK2 & JK4 FOR 220V.

COMMUNICATION MICROWAVE CORP.

CRESTWOOD INDUSTRIAL PARK  
MOUNTAINTOP PA. 18707

TITLE:

SCHEMATIC, POWER SUPPLY  
15V DC @ 3 AMP

DRAWN:  
K.HARDING

DATED:  
11-28-95

DRAWING NO:

CHECKED:  
A.Bragalone

2-26-99

A-35-071-01

ELEC. ENGR:  
D.WIKE

7-18-96

SHEET: 1 OF 1

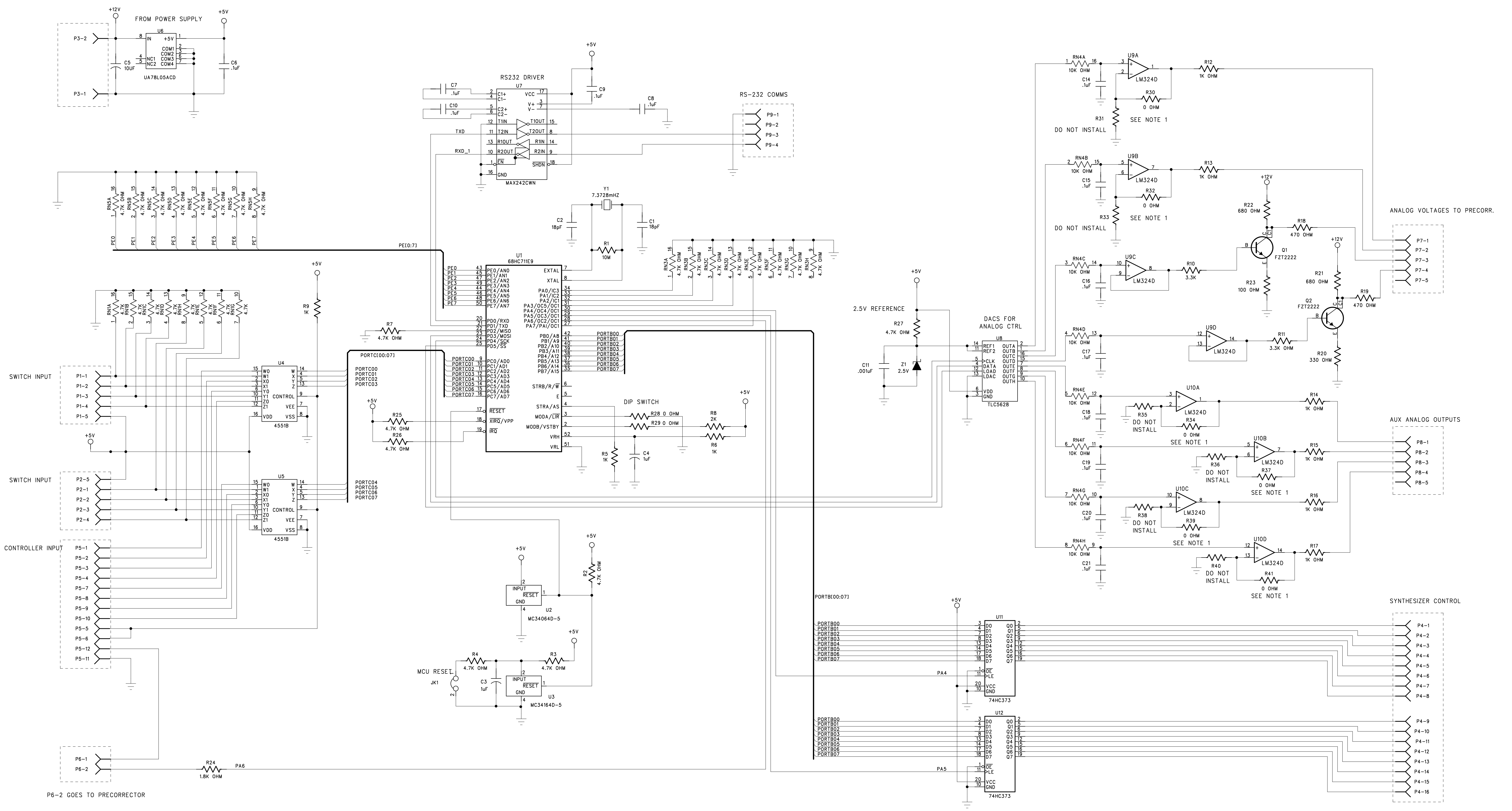
RELEASED:  
A.Bragalone

2-26-99

SCALE:

REV: B

REVISION RECORD			
LTR	ECO NO:	DRAWN:	DATE:
B	98-026	KWH	8-21-98



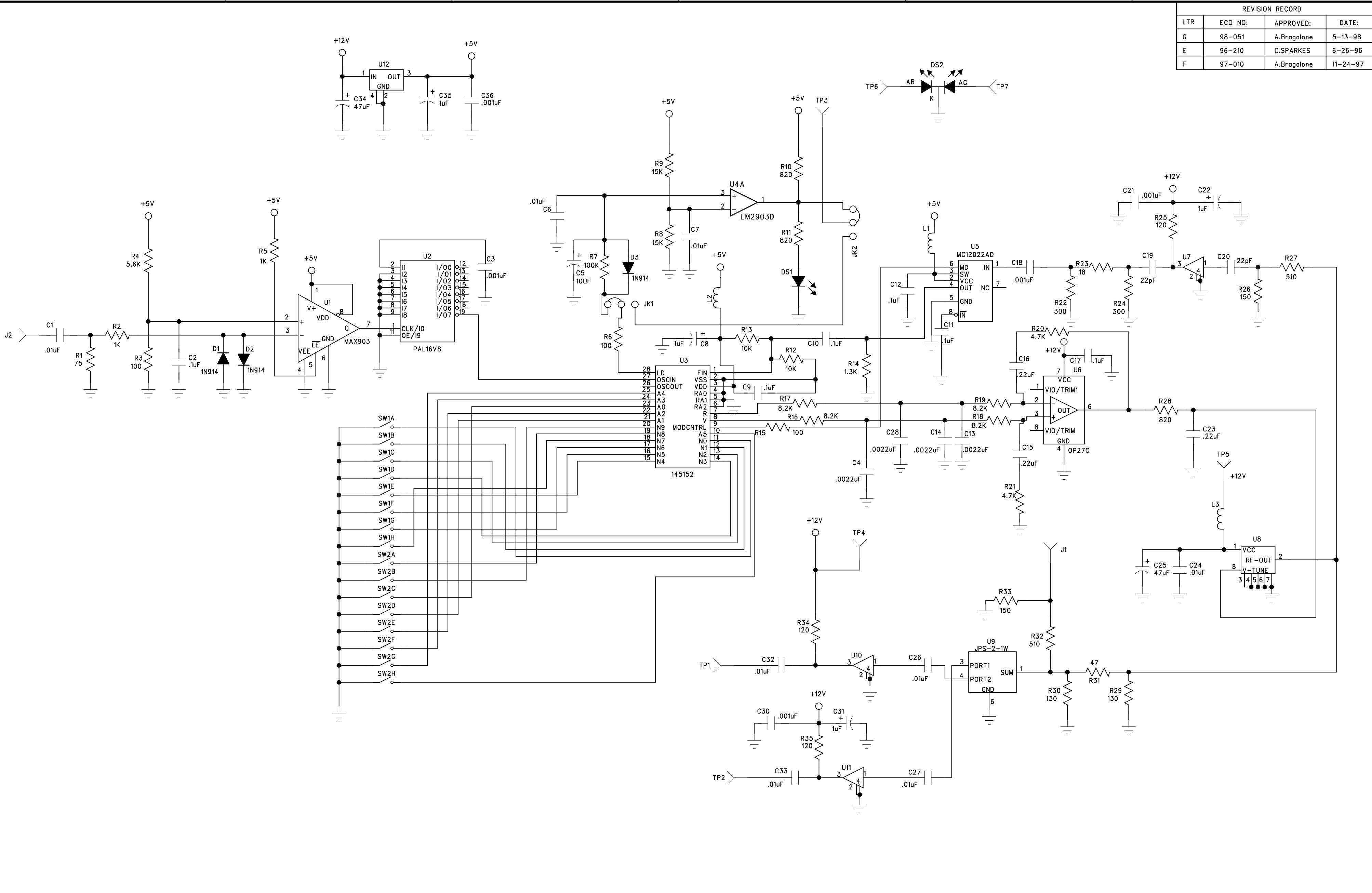
NOTES:  
1. VALUE OF R30-R41 TO BE DETERMINED BY TEST

COMMUNICATION MICROWAVE CORP.  
CRESTMWOOD INDUSTRIAL PARK  
MOUNTAINTOP, PA. 18707

TITLE:  
**SCHEMATIC, PRECORRECTOR CALIBRATION CONTROL BOARD**

DRAWN: K.HARDING	DATED: 12-11-97	DRAWING NO: <b>D-34-015-01</b>
CHECKED: A.SHUBZDA	2-3-98	SHEET: 1 OF 1
ELEC. ENGR: C.UNGVARSKY	12-11-97	SCALE:
RELEASED: K.HARDING	3-3-98	REV: <b>B</b>

REVISION RECORD			
LTR	ECO NO:	APPROVED:	DATE:
G	98-051	A.Bragalone	5-13-98
E	96-210	C.SPARKES	6-26-96
F	97-010	A.Bragalone	11-24-97



**COMMUNICATION MICROWAVE CORP.**  
 CRESTWOOD INDUSTRIAL PARK  
 MOUNTAINTOP PA. 18707

**TITLE:**  
 UHF SYNTHESIZER/UPCONVERTER

<b>DRAWN:</b> C.SPARKES	<b>DATED:</b> 9-20-95	<b>DRAWING NO:</b> <b>C-34-007-01</b>
<b>CHECKED:</b> K.Harding	<b>5-28-98</b>	<b>SHEET:</b> OF
<b>ELEC. ENGR:</b>		<b>SCALE:</b>
<b>RELEASED:</b> A.Bragalone	<b>5-28-98</b>	<b>REV:</b> <b>G</b>