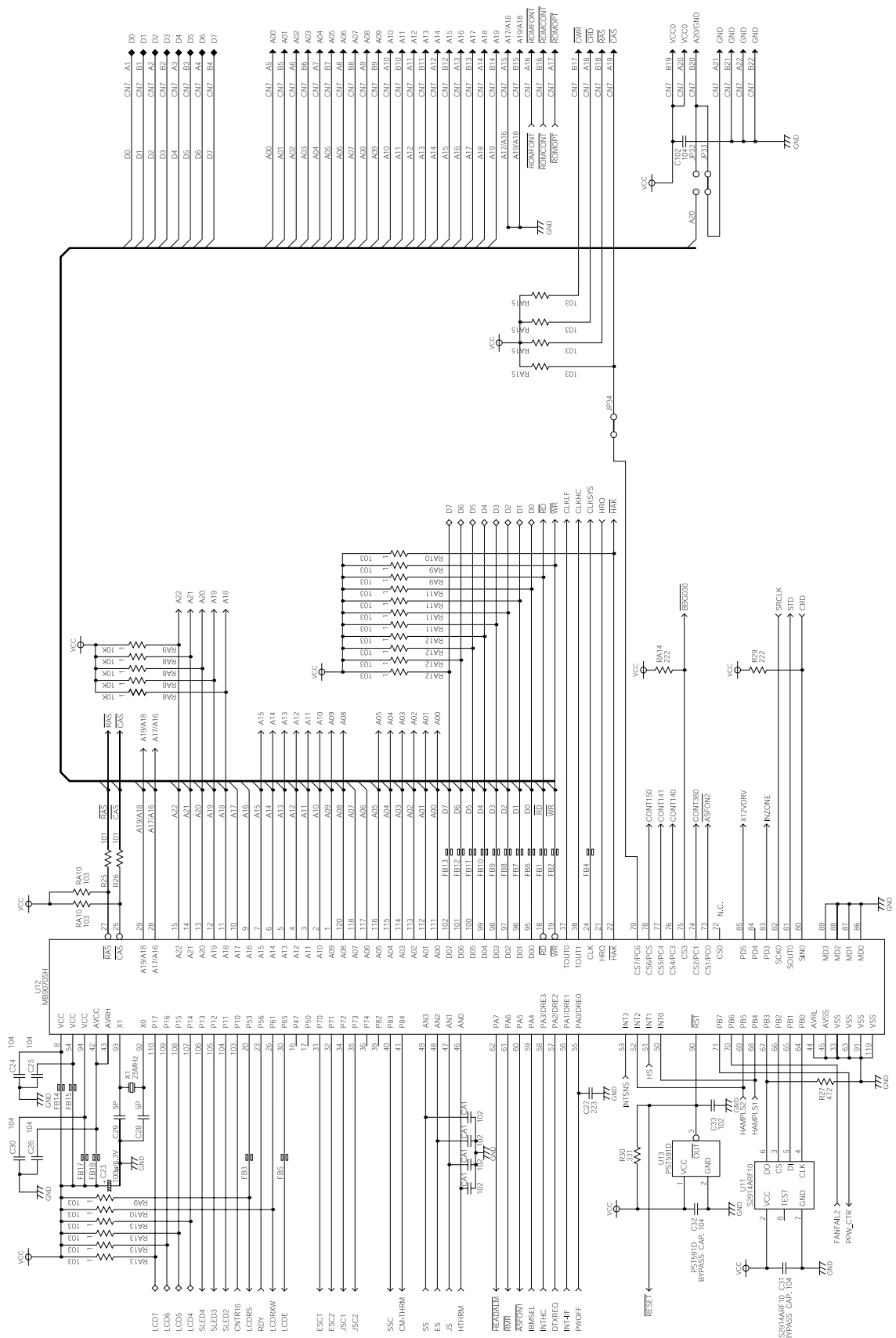
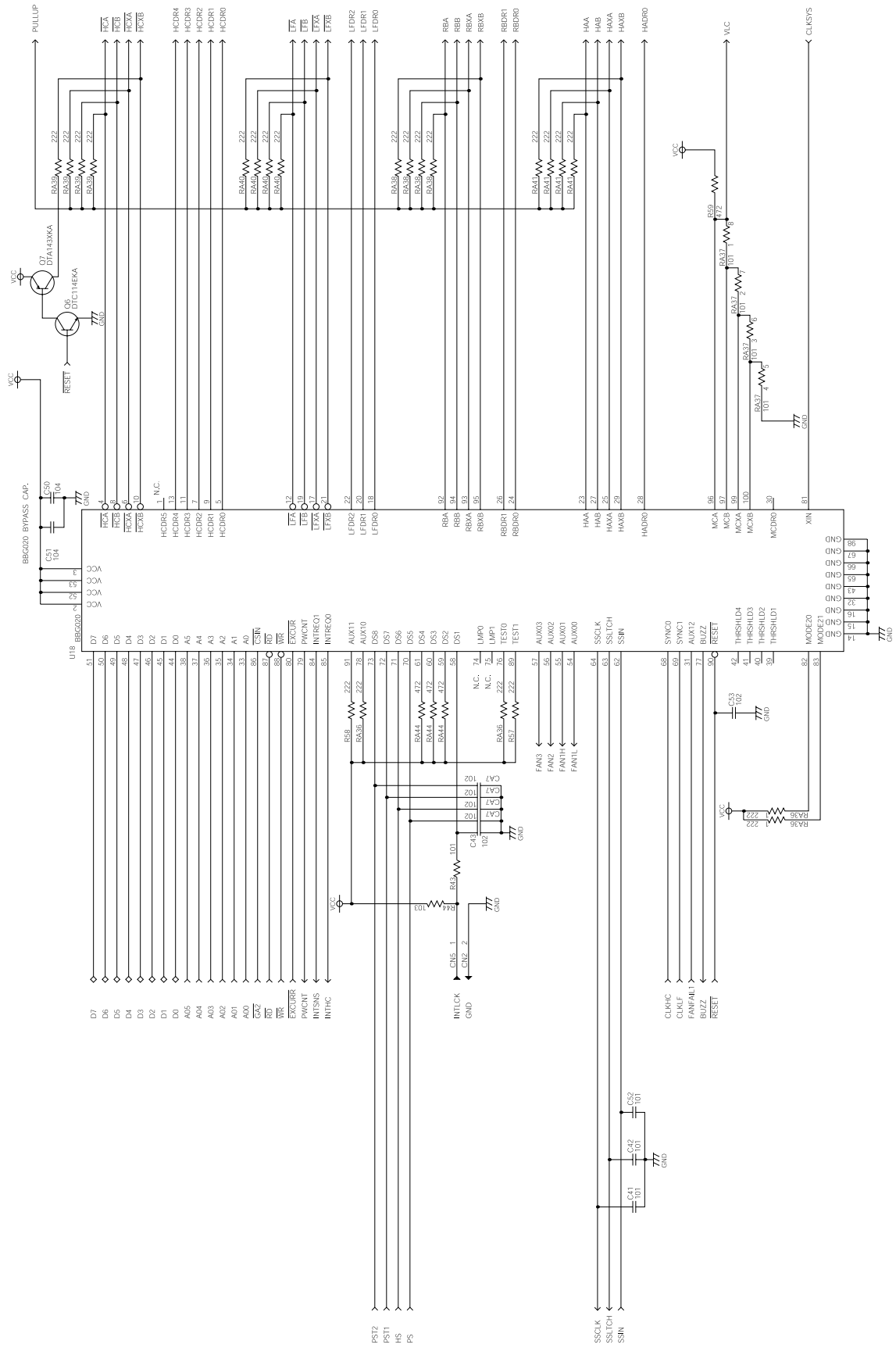


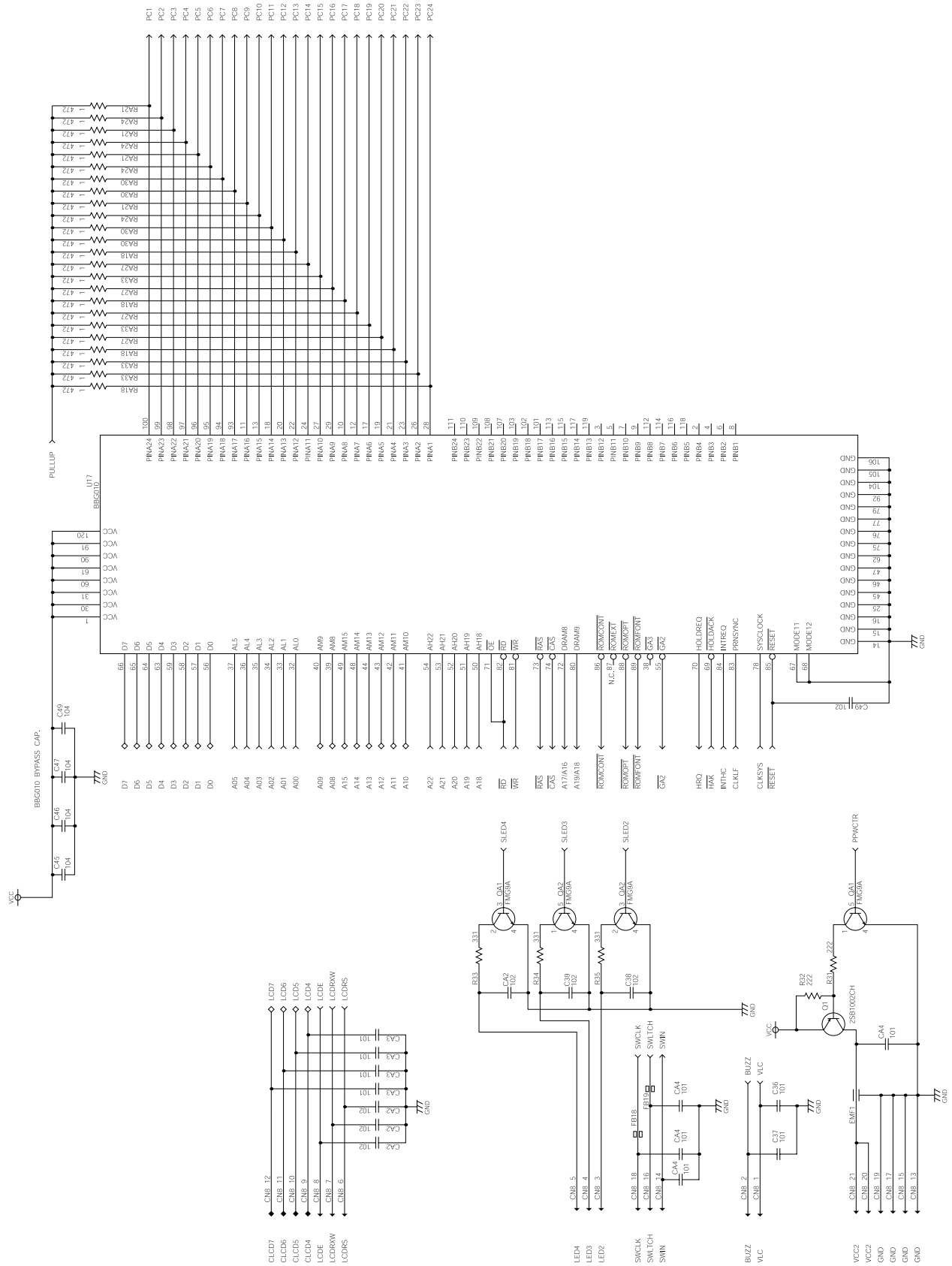
Control PCB Schematic Diagram (1/11)



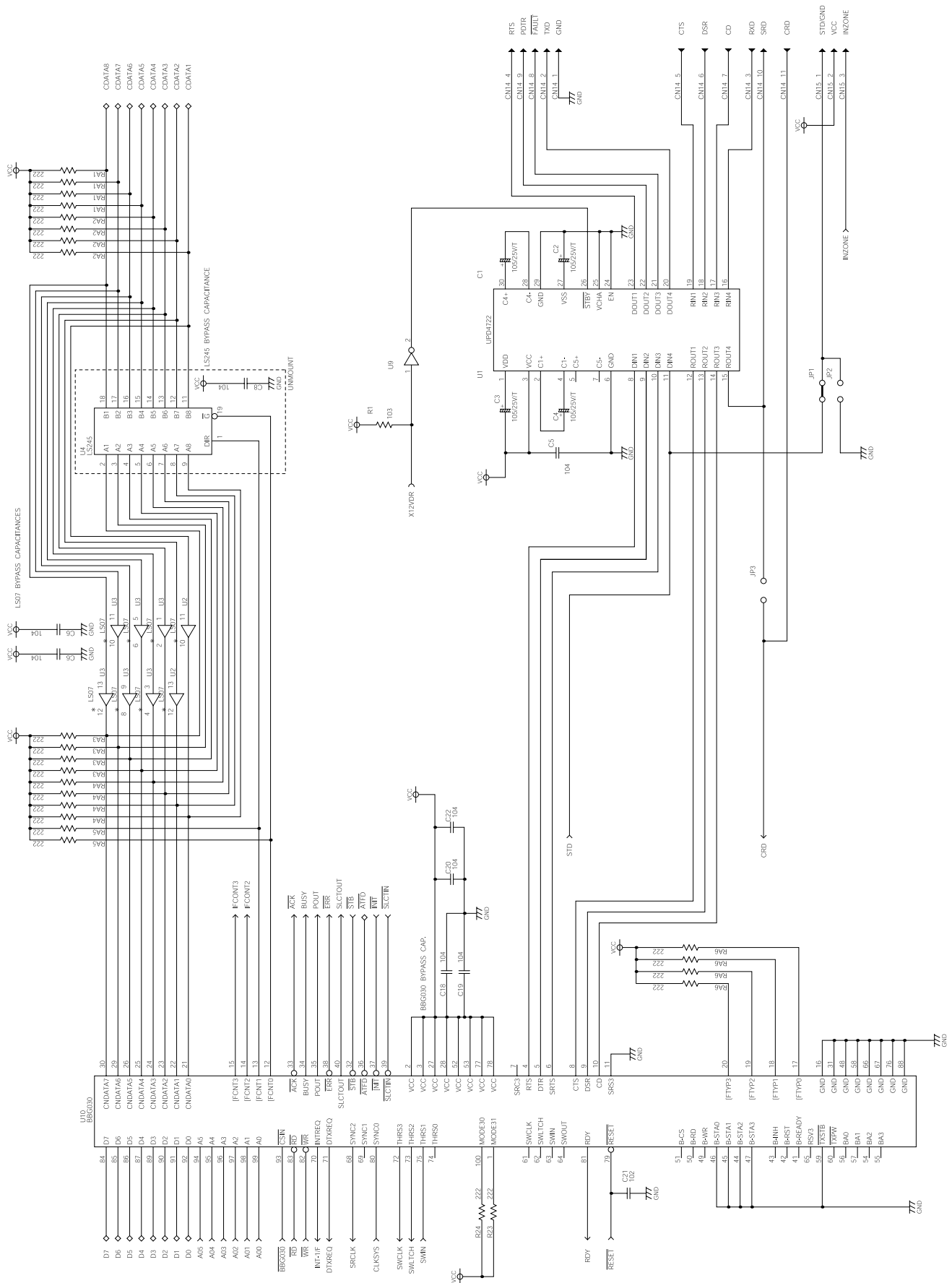
Control PCB Schematic Diagram (2/11)



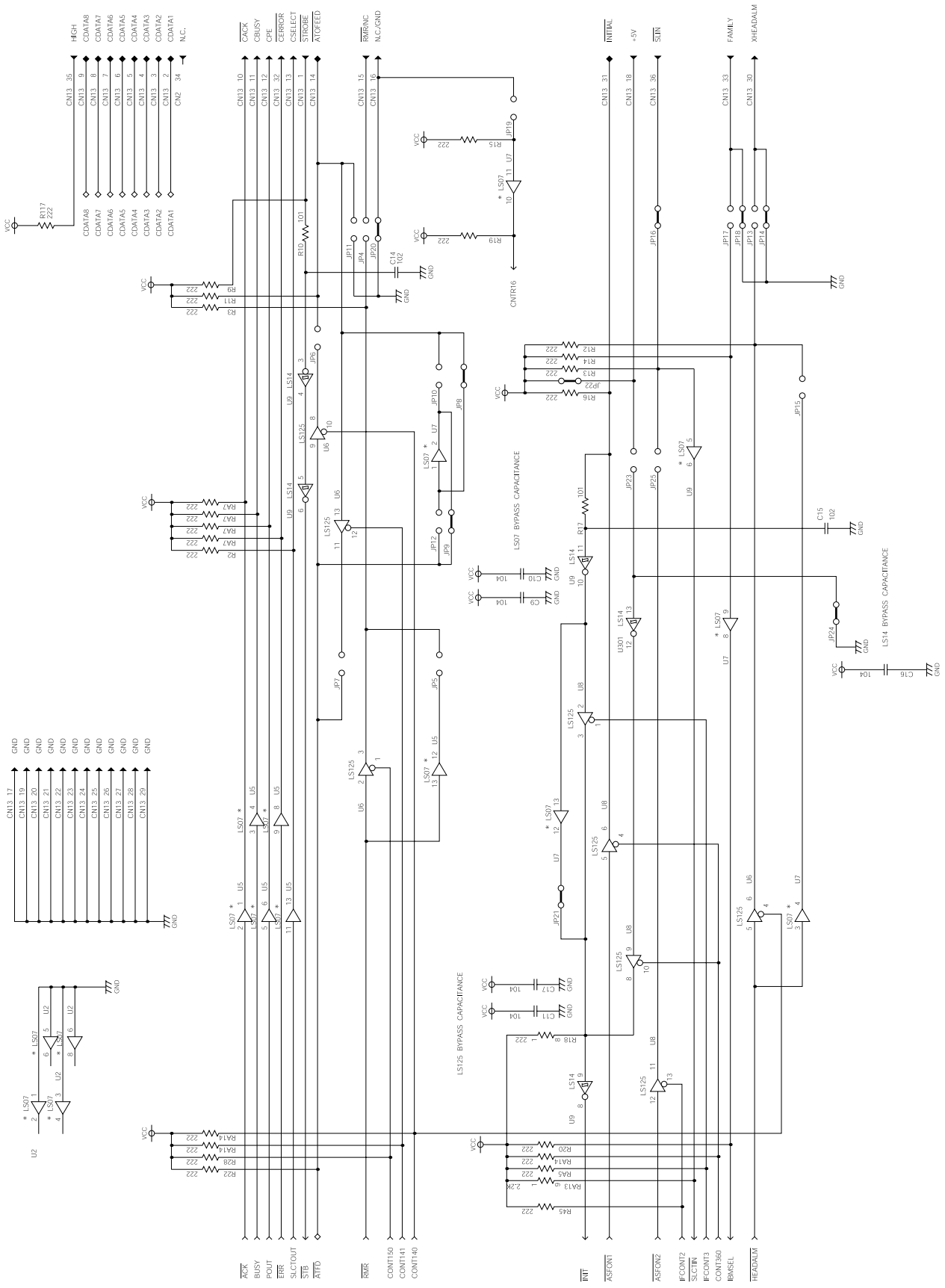
Control PCB Schematic Diagram (3/11)



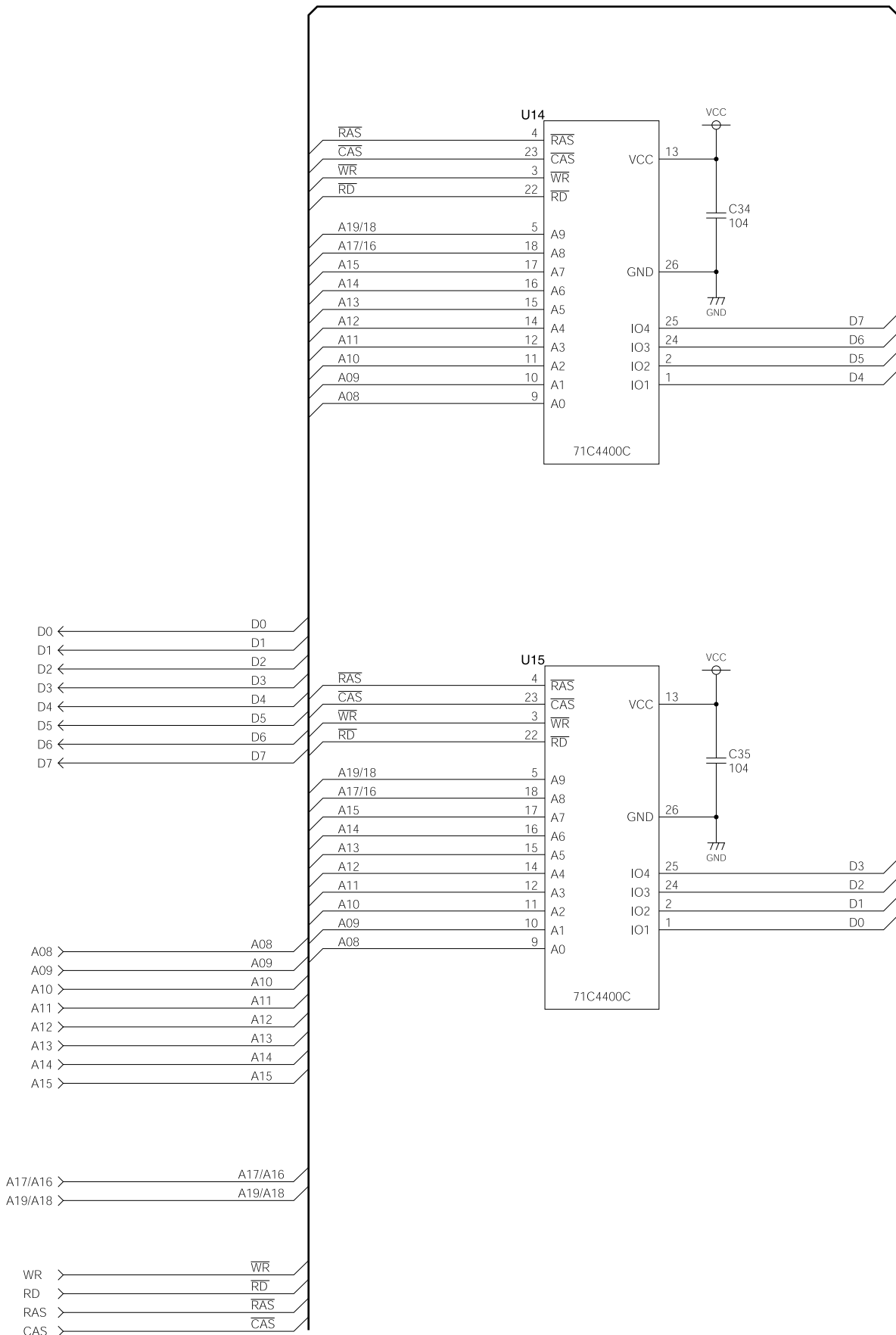
Control PCB Schematic Diagram (4/11)



Control PCB Schematic Diagram (5/11)

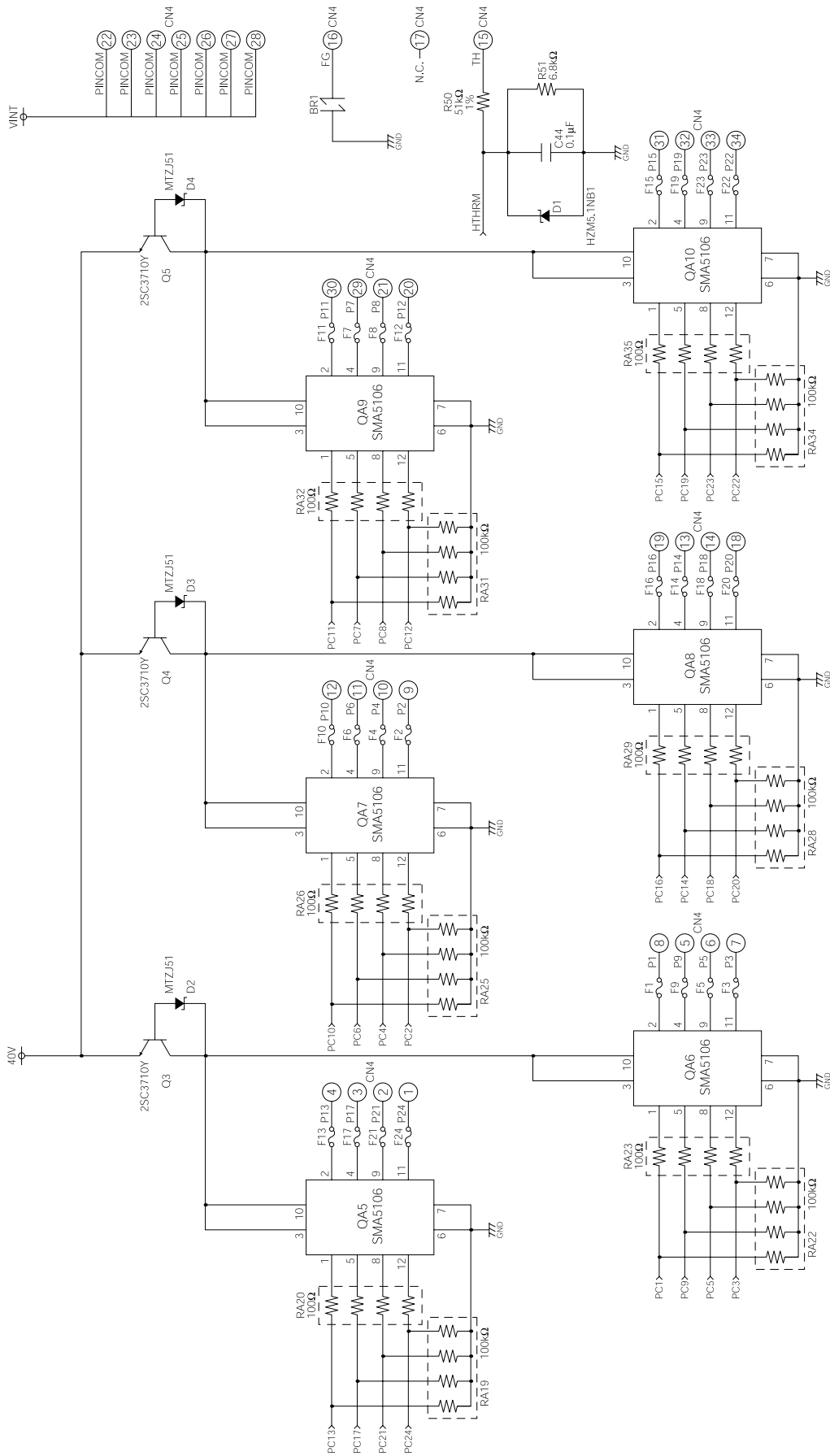


Control PCB Schematic Diagram (6/11)



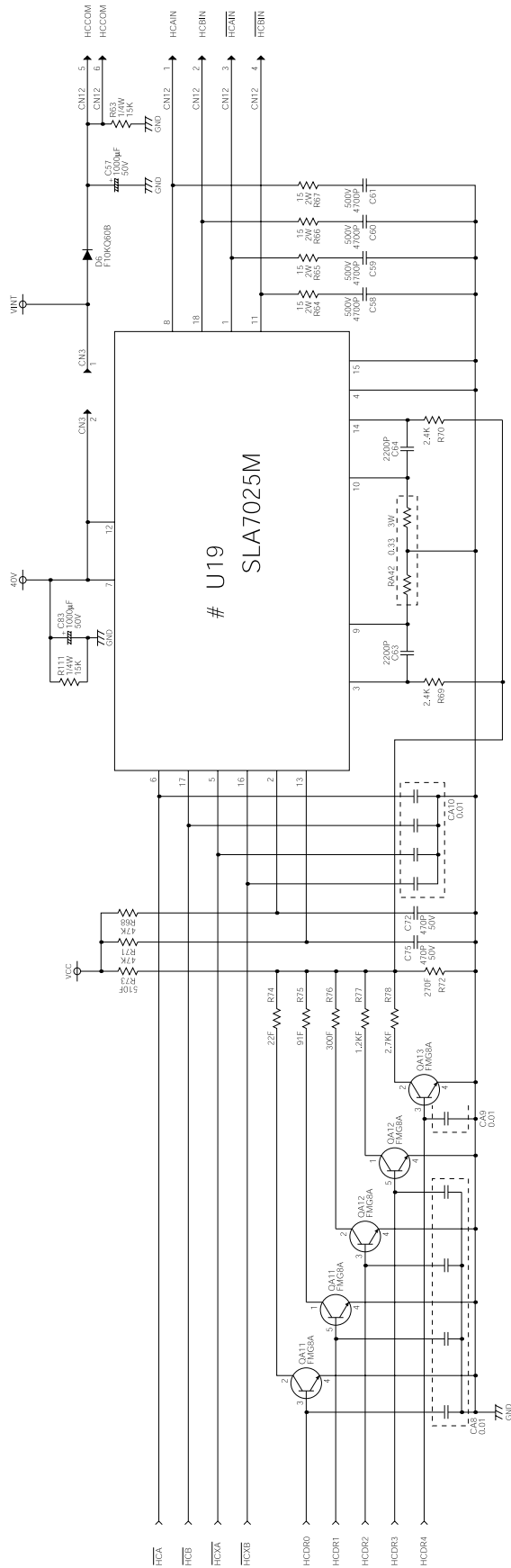
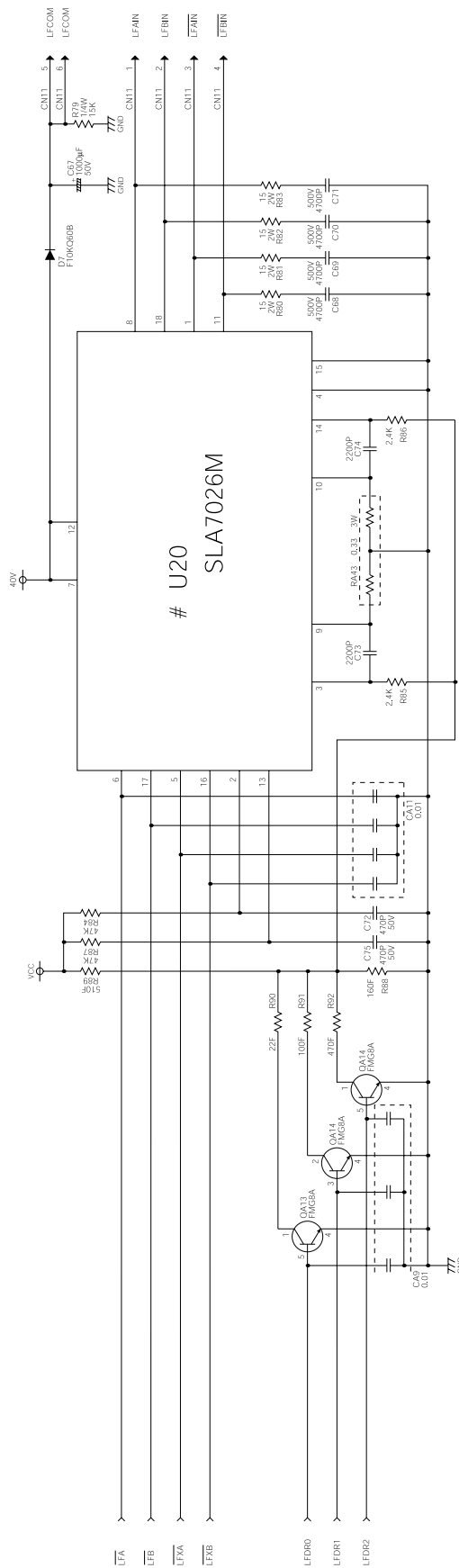
WITH HEAT SINK
Resistors are rated +/-5%, 1/6W unless otherwise specified.

Control PCB Schematic Diagram (7/11)



WITH HEAT SINK
 Resistors are rated +/-5%, 1/6W unless otherwise specified.
 Resistor Arrays are rated +/-5%.1/8W unless otherwise specified.

Control PCB Schematic Diagram (8/11)

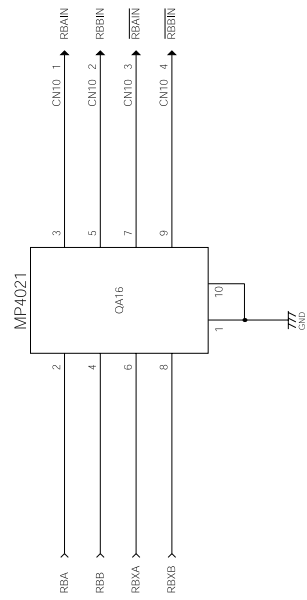
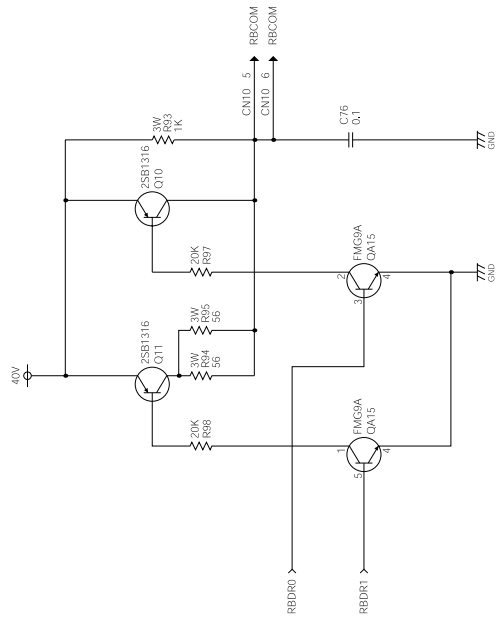
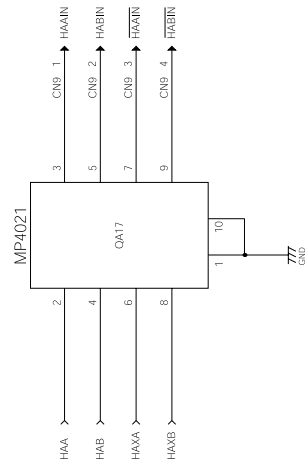
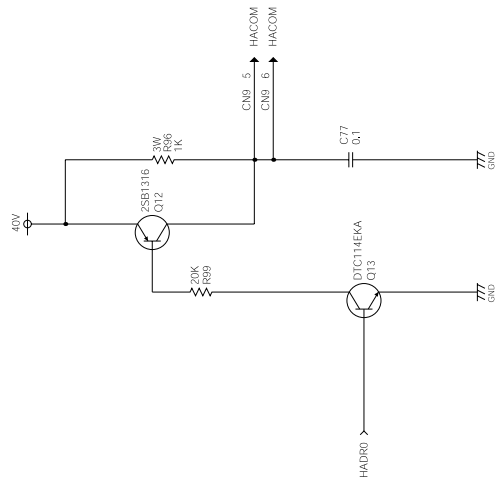


WITH HEAT SINK

Resistors are rated +/-5%, 1/6W unless otherwise specified.

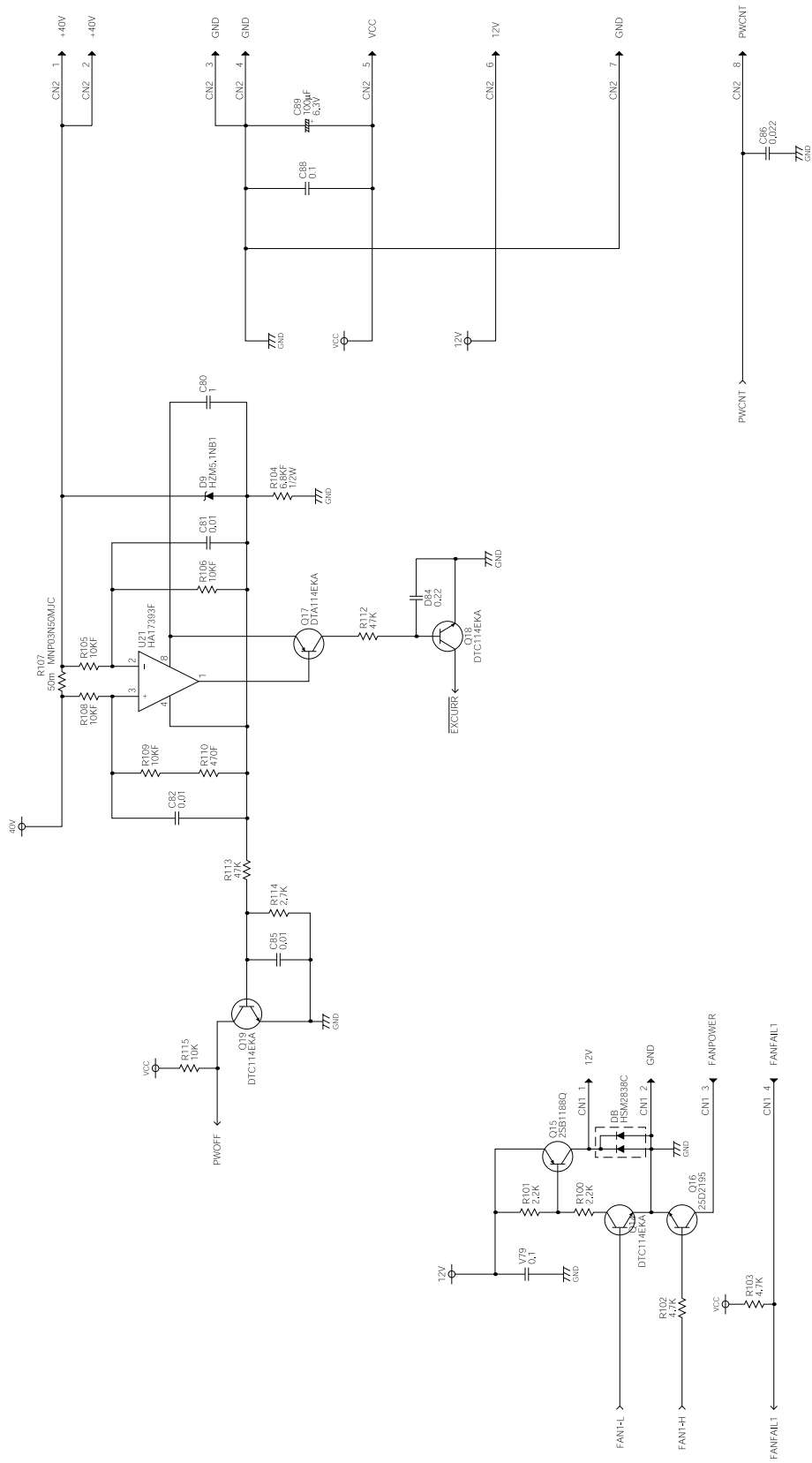
Capacitors are rated 16V unless otherwise specified.

Control PCB Schematic Diagram (9/11)

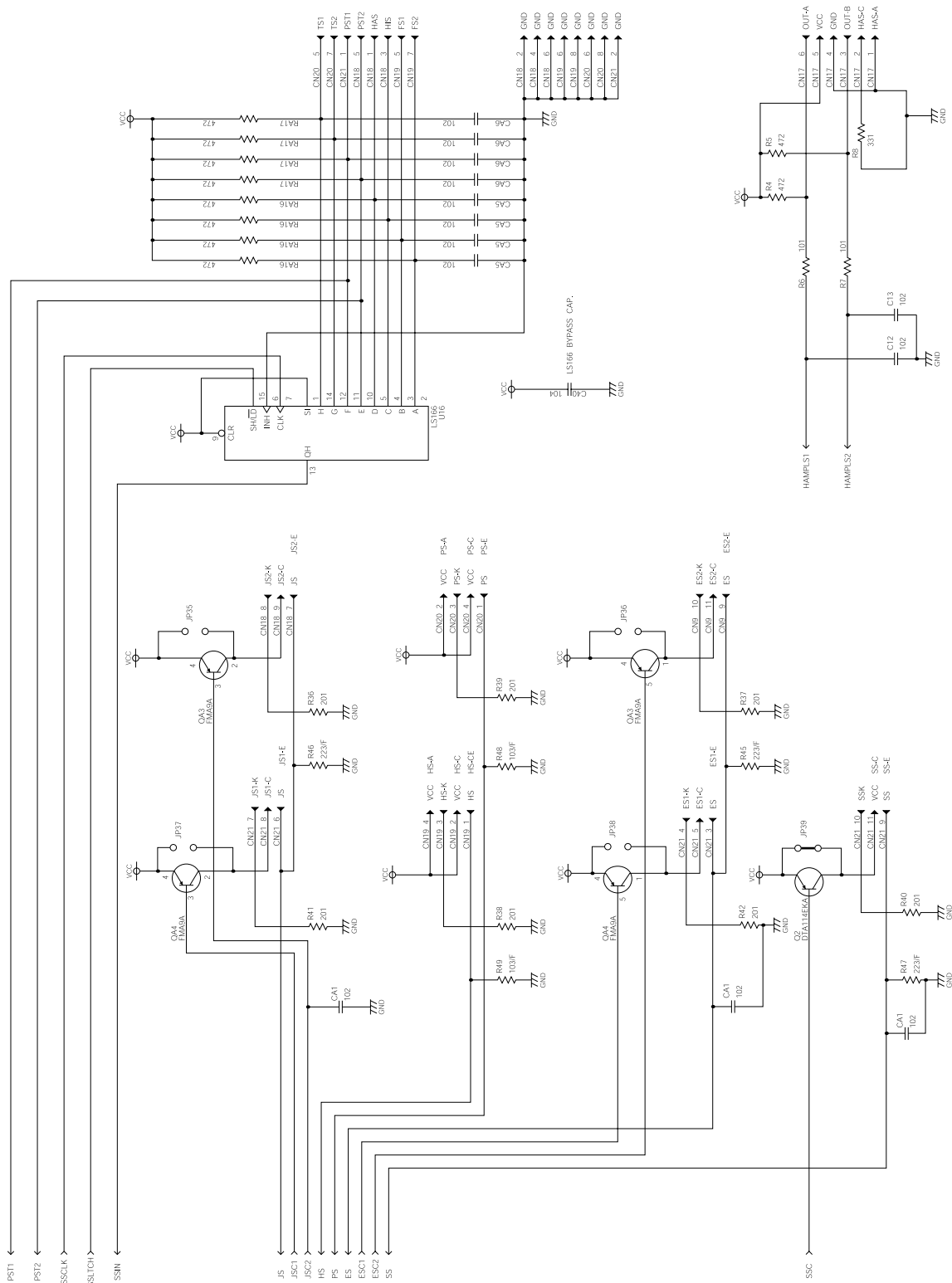


Resistors are rated +/-5%, 1/6W unless otherwise specified.
Capacitors are rated 16V unless otherwise specified.

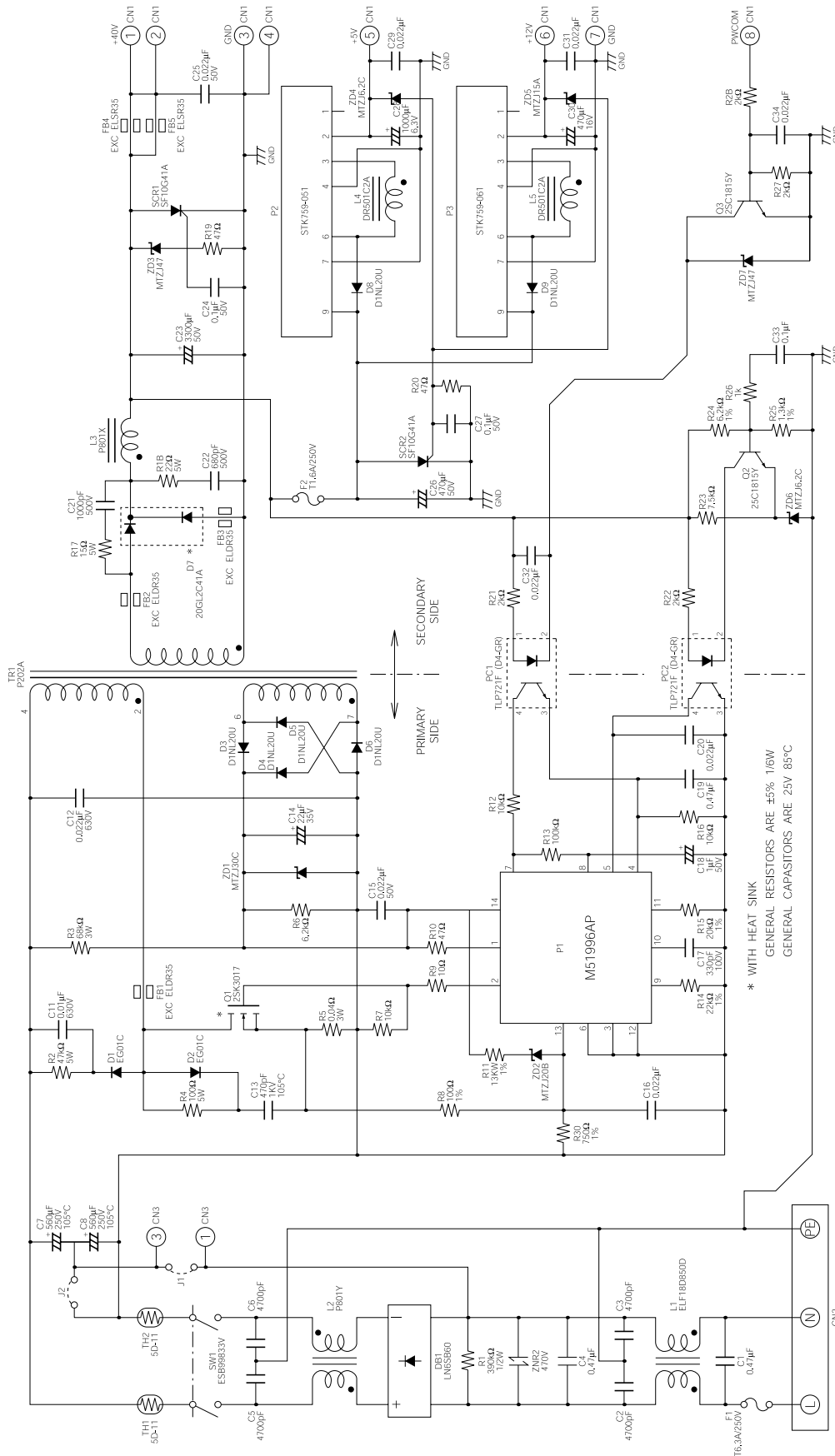
Control PCB Schematic Diagram (10/11)



Control PCB Schematic Diagram (11/11)

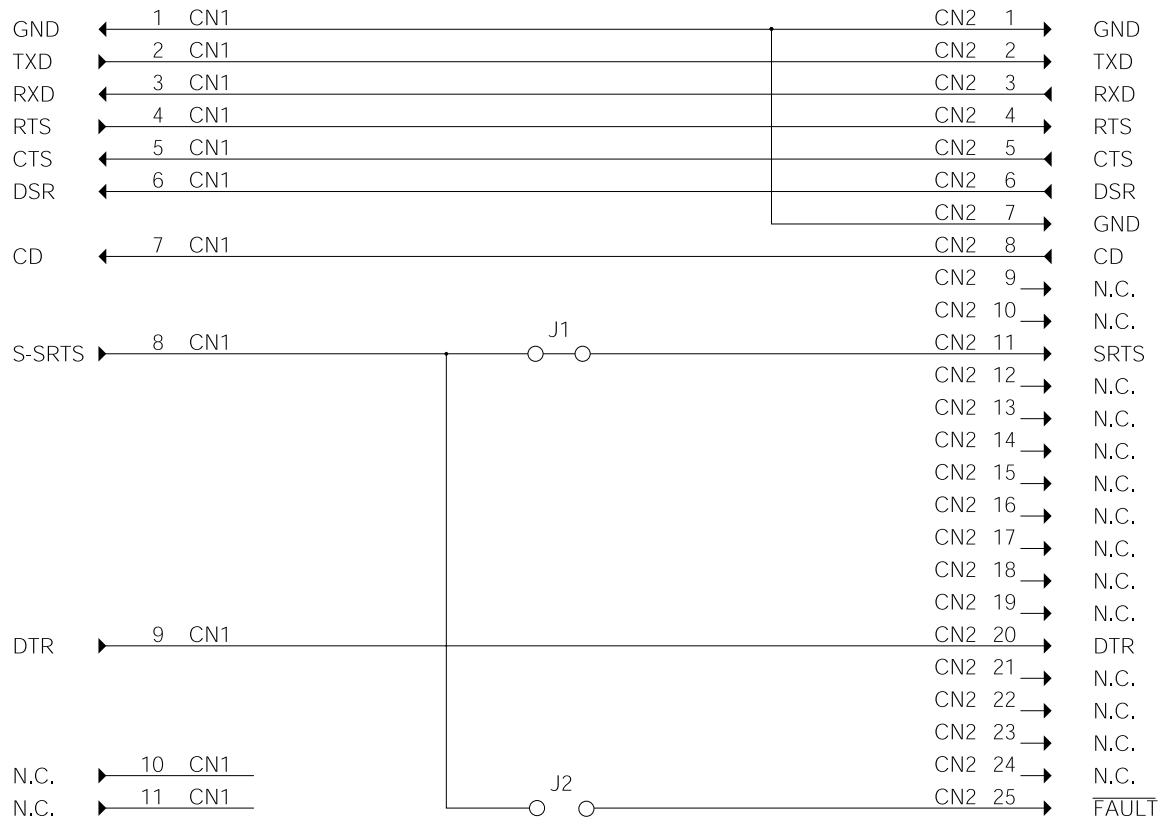


Power PCB Schematic Diagram for AC120V/AC230V

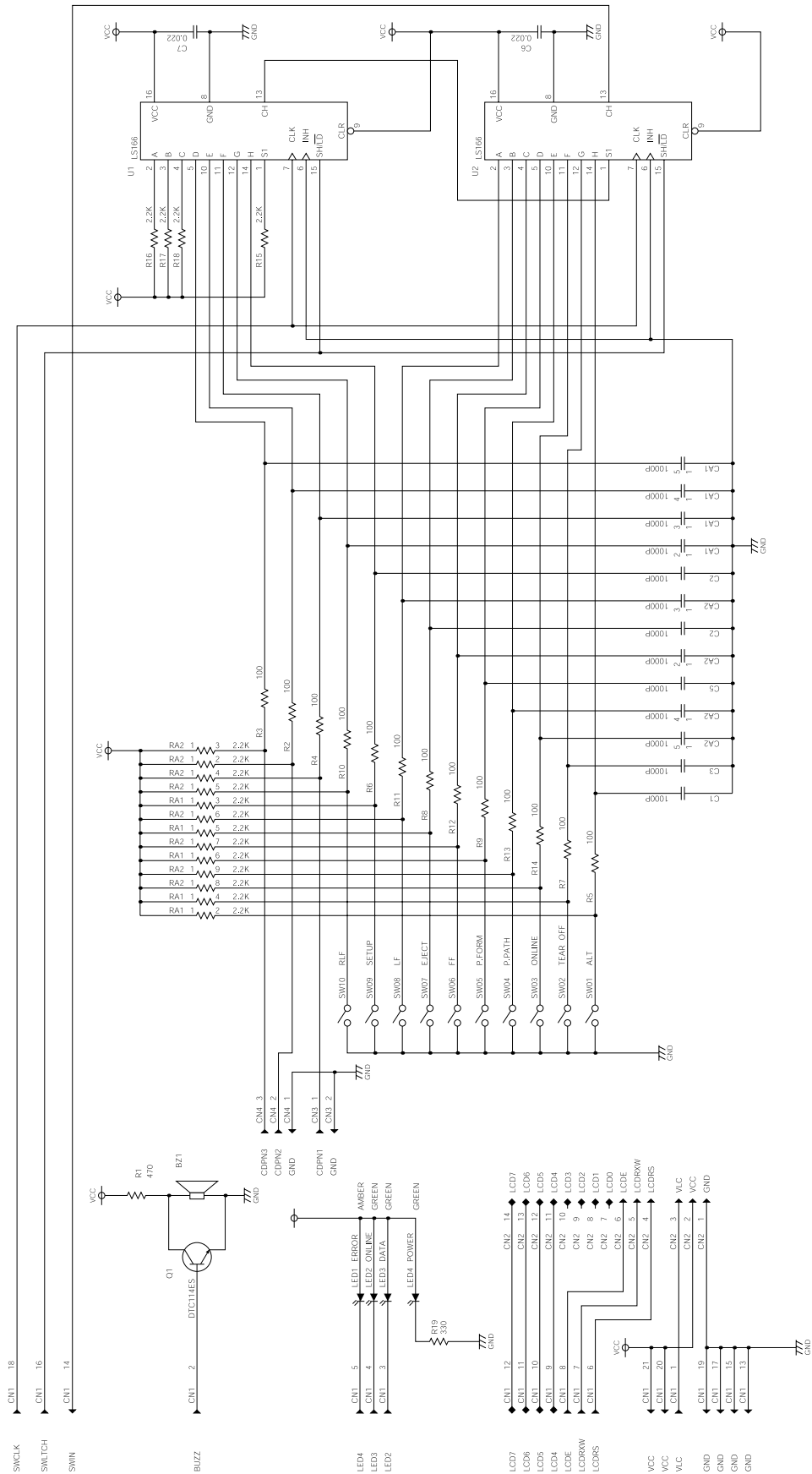


Note: CN3
 AC120V, Connector Harness C is connected to CN3
 AC230V, No connection at CN3

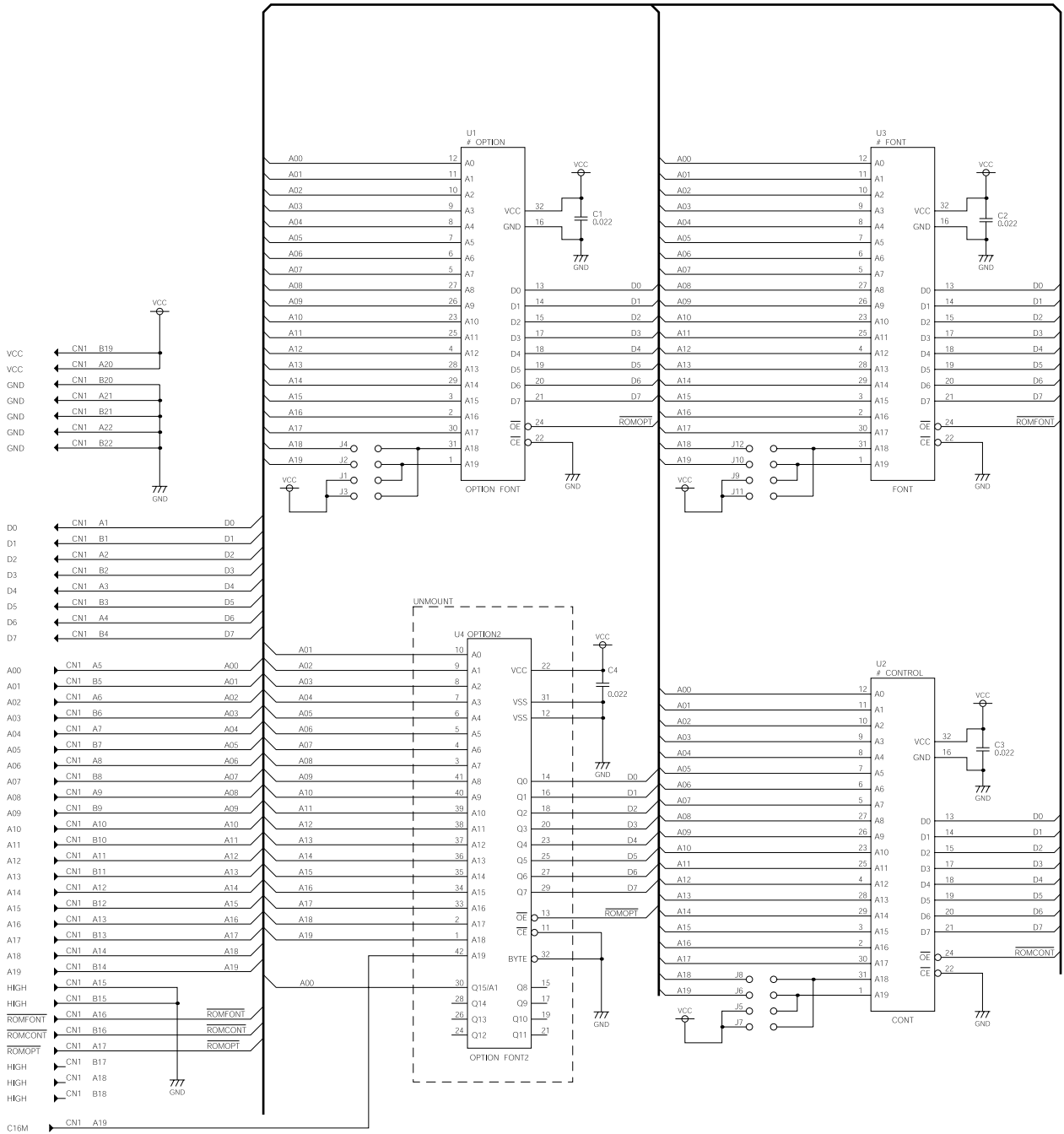
Connector PCB Schematic Diagram



Indicator PCB Schematic Diagram



ROM PCB Schematic Diagram



Head PCB Schematic Diagram

