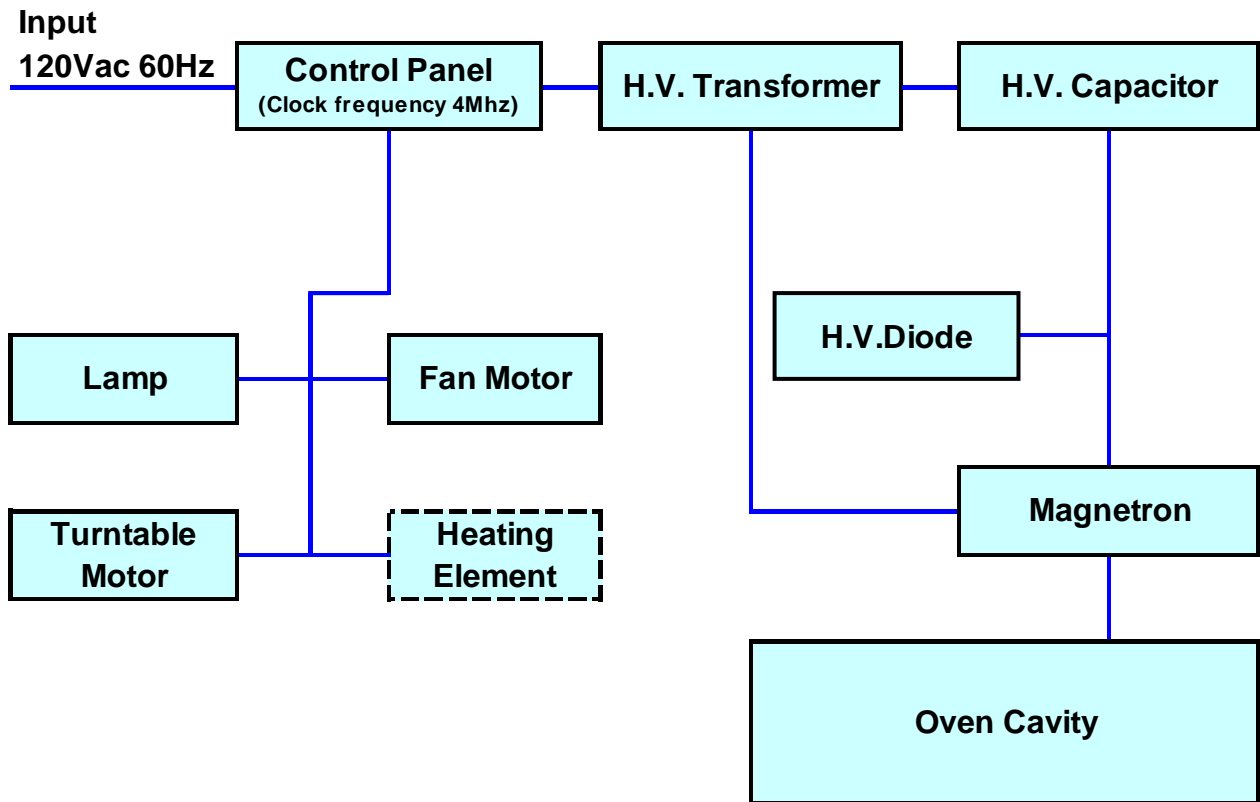


# BLOCK DIAGRAM



**Note: Components outlined with dotted line is optional and may not be employed in the model**