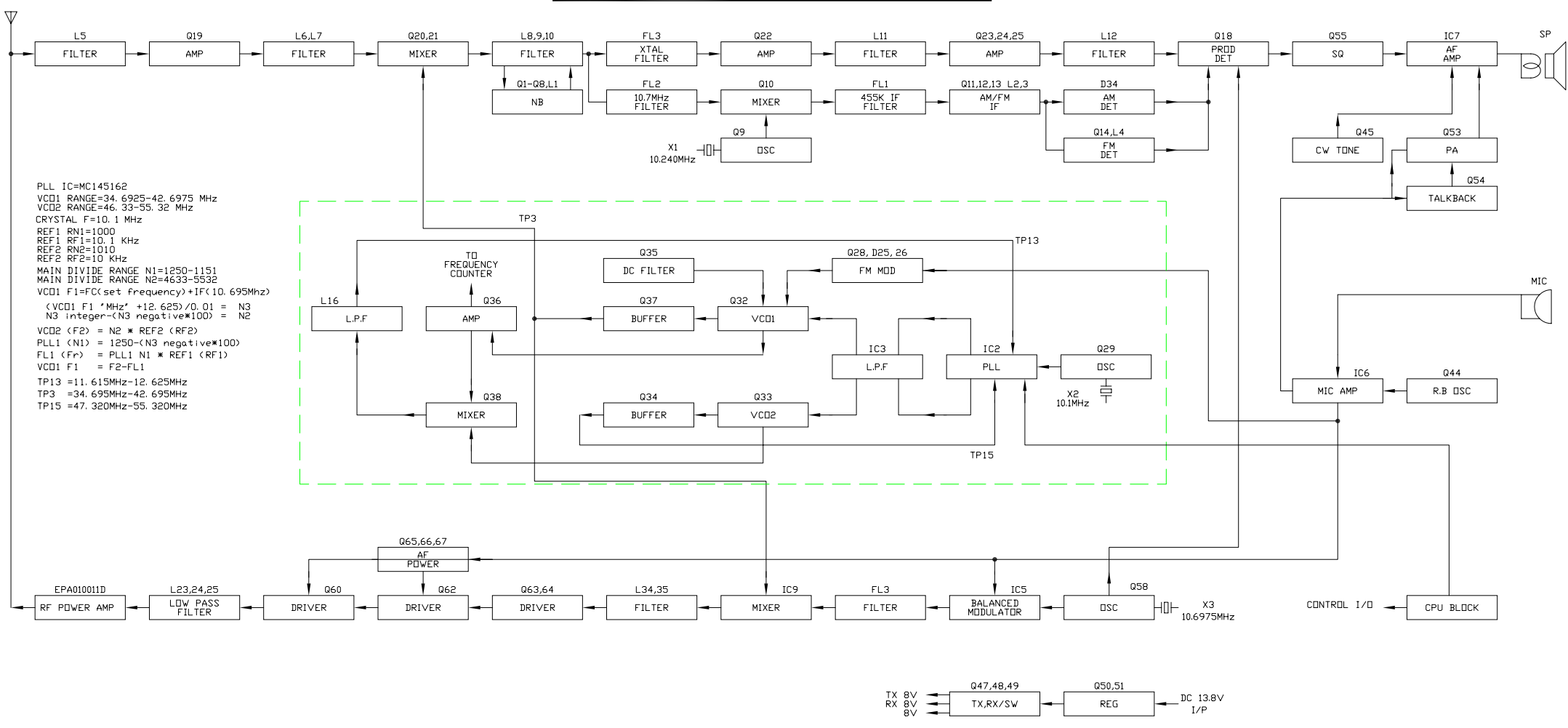


# RCI-5054DX(100W) BLOCK DIAGRAM



PLL IC=MC145162  
 VCD1 RANGE=34.6925-42.6975 MHz  
 VCD2 RANGE=46.33-55.32 MHz  
 CRYSTAL F=10.1 MHz  
 REF1 RN1=1000  
 REF1 RF1=10.1 KHz  
 REF2 RN2=1010  
 REF2 RF2=10 KHz  
 MAIN DIVIDE RANGE N1=1250-1151  
 MAIN DIVIDE RANGE N2=4633-5532  
 VCD1 F1=FC(set Frequency)+IF(10.695MHz)  
 (VCD1 F1 'MHz' +12.625)/0.01 = N3  
 N3 integer-(N3 negative\*100) = N2  
 VCD2 (F2) = N2 \* REF2 (RF2)  
 PLL1 (N1) = 1250-(N3 negative\*100)  
 FL1 (Fr) = PLL1 N1 \* REF1 (RF1)  
 VCD1 F1 = F2-FL1  
 TP13 =11.615MHz-12.625MHz  
 TP3 =34.695MHz-42.695MHz  
 TP15 =47.320MHz-55.320MHz

TX 8V  
 RX 8V  
 8V  
 DC 13.8V  
 1/P