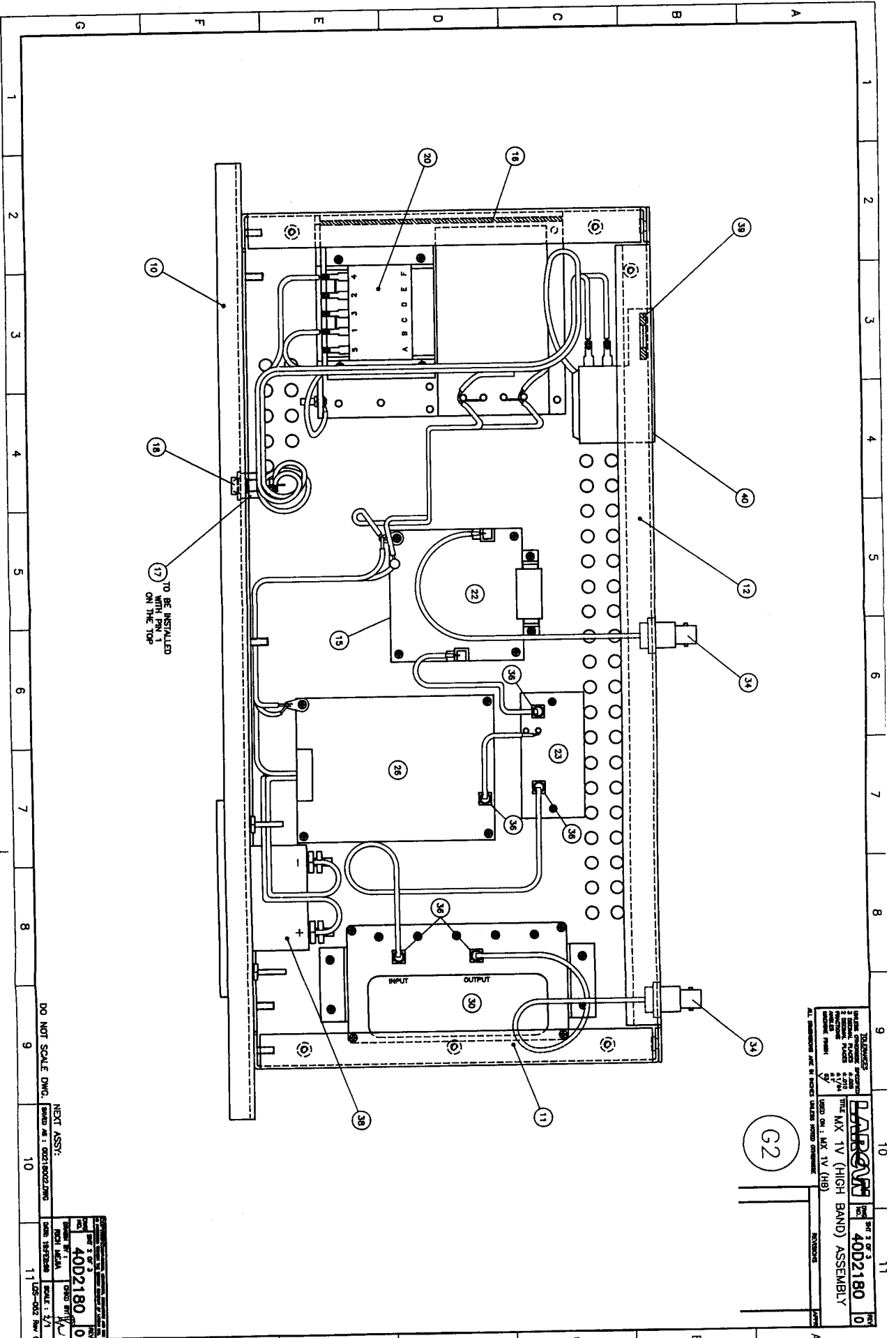


TELEVISIONS ENGINEERING DEPARTMENT
 GENERAL ELECTRIC COMPANY
 SHERBORN, MASSACHUSETTS
 MODEL 40D2180
 TITLE: MAX TV (LOW BAND) ASSEMBLY
 DRAWING NO.: 40D2180 (LB)
 REVISIONS: SEE REVISIONS SHEET FOR CHANGES

G1

DO NOT SCALE DIMS.
 NEXT ASSY: 40D2180
 PART NO.: 40D2180
 DATE: 1/21
 11



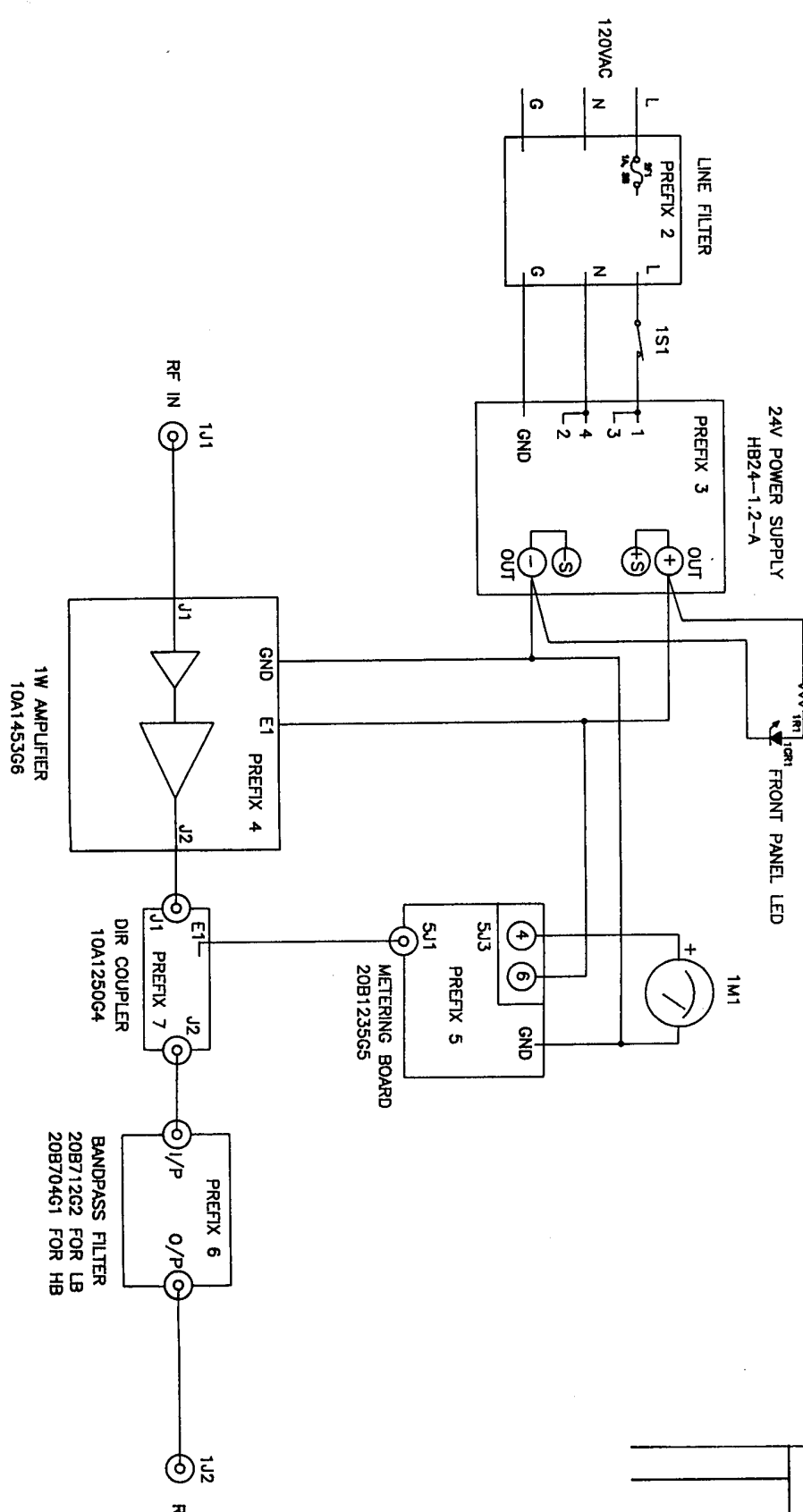
LABOVIT
 TITLE: MX TV (HIGH BAND) ASSEMBLY
 PART: 402180
 DATE: 10/1/54
 DRAWN BY: J. J. WILSON
 CHECKED BY: J. J. WILSON
 ALL DIMENSIONS ARE IN INCHES UNLESS NOTED OTHERWISE.

G2

DO NOT SCALE DIMS.
 NEXT ASSY:
 DRAW NO.: 0021000220MG
 DATE: 10/1/54

402180
 10/1/54
 J. J. WILSON
 10/1/54
 10/1/54

TOLERANCES UNLESS OTHERWISE SPECIFIED 3 DECIMAL PLACES 2 DECIMAL PLACES DIMENSIONS ANGLES MACHINE FINISH		LABORATORY TITLE WIRING & BLOCK DIAGRAM USED ON : MX1V	DWG NO. 20B2449	SHT 1 OF 1 20B2449	REV 0
---	--	---	---------------------------	------------------------------	-----------------



DO NOT SCALE DWG.

NEXT ASSY: 40D2180G1, G2
 SAVED AS : 0B244901

DRAWN BY : R. MEJIA	QHD BY :
DATE: 16/NOV/98	SCALE : NONE

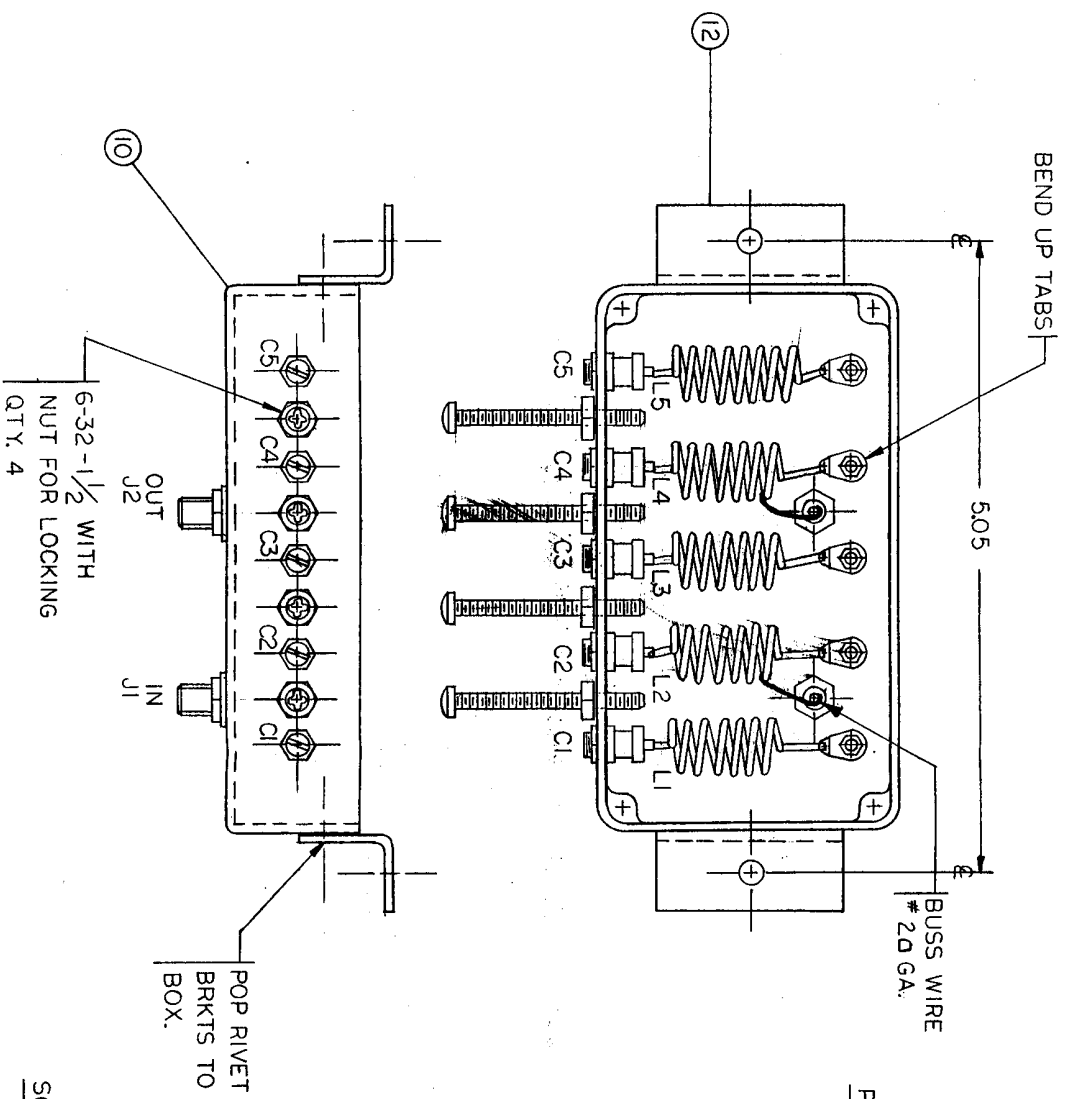
DWG NO. 20B2449	SHT 1 OF 1 20B2449	REV 0
---------------------------	------------------------------	-----------------

TITLE ASSEMBLY - BANDPASS FILTER

F.M.F. LARCAN TRANSLATOR

PL. ISSUED

REVISIONS	
1	# 18 GA. WIRE 20. L5 MOD. TO 8 TURN. PW-86-221 1.8 DEC 78
2	20 GA WIRE 18. RNS-758 27 NOV 85



PART 1 ASSEMBLY (COVER REMOVED)

NOTE:
L2 AND L4, INSULATION IS REMOVED AT 1 TURN AND #20 GA. BUSS WIRE IS CONNECTED FROM COILS TO CONNECTORS AS SHOWN.

SCALE: FULL

DRAWN BY
D. ANILAK
85-07-24

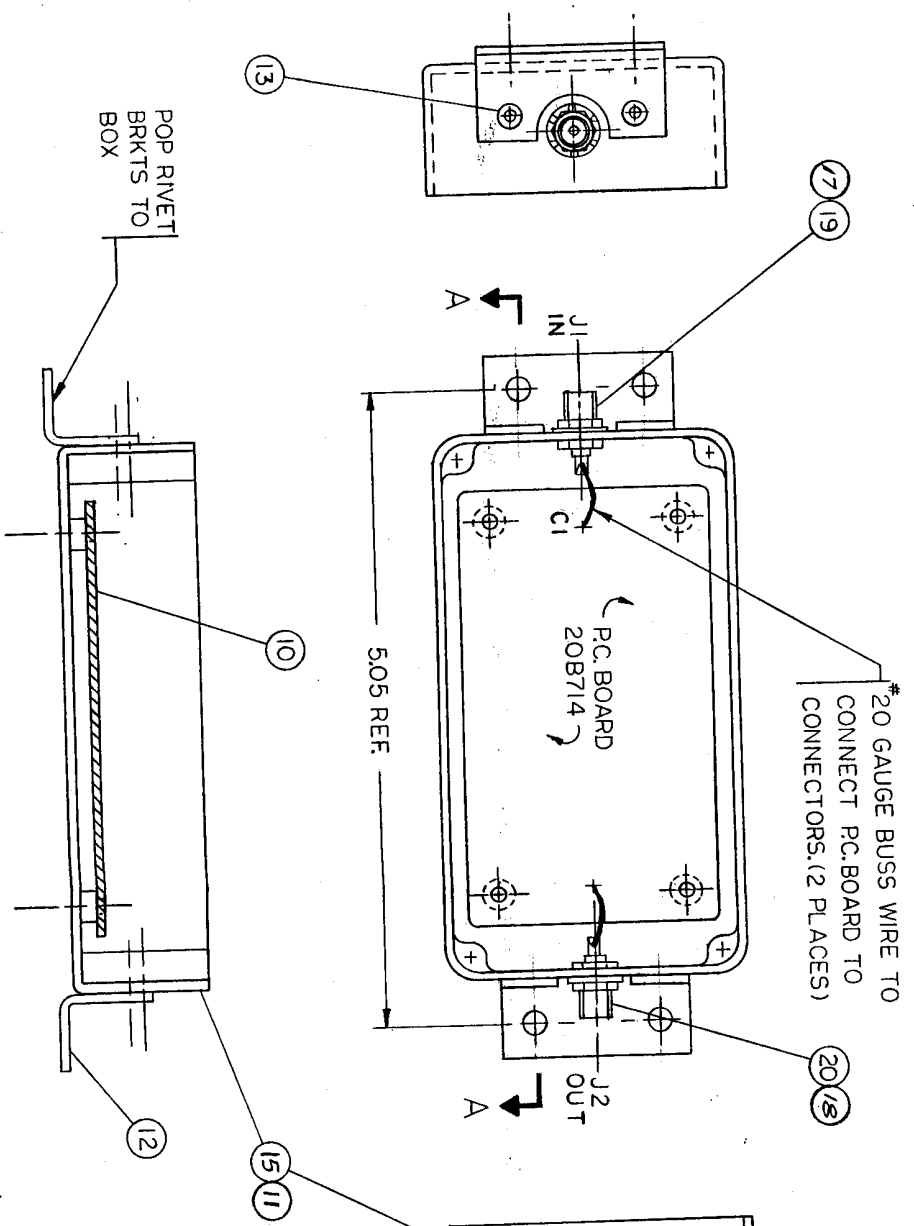
CHECKED BY
MGA
85-07-26

20B704

TITLE ASSEMBLY MODULE -
 BANDPASS FILTER LOW BAND
 F.M.F. LARCAN TRANSLATOR

REVISIONS	
ADDED PT 2	1/20/82

P.L. ISSUED



SECTION A-A

POP RIVET
 BRKTS TO
 BOX

#20 GAUGE BUSS WIRE TO
 CONNECT PCB BOARD TO
 CONNECTORS. (2 PLACES)

- PART 1 ASSEMBLY
 (USES SMA CONNECTORS)
- PART 2 ASSEMBLY
 (USES BNC CONNECTORS)

SCALE - FULL

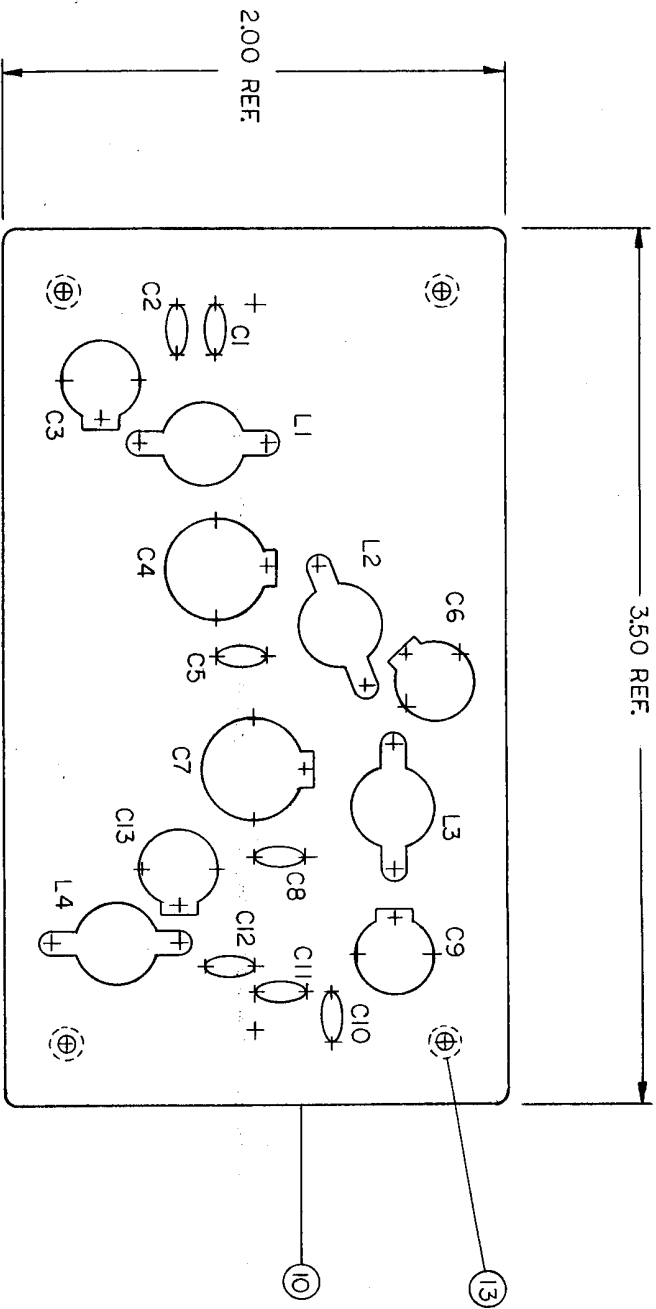
DRAWN by D. AVILA 85-08-01	CHECKED by [Signature] 85-08-07	20B712
----------------------------------	---------------------------------------	--------

LARCAN COMMUNICATIONS EQUIPMENT INC. 20B713

TITLE ASSEMBLY - BANDPASS FILTER
LOW BAND
F.M.F. LARCAN TRANSLATOR

REVISIONS

PL. ISSUED
SILKSCREEN MARKING
IS 20B716




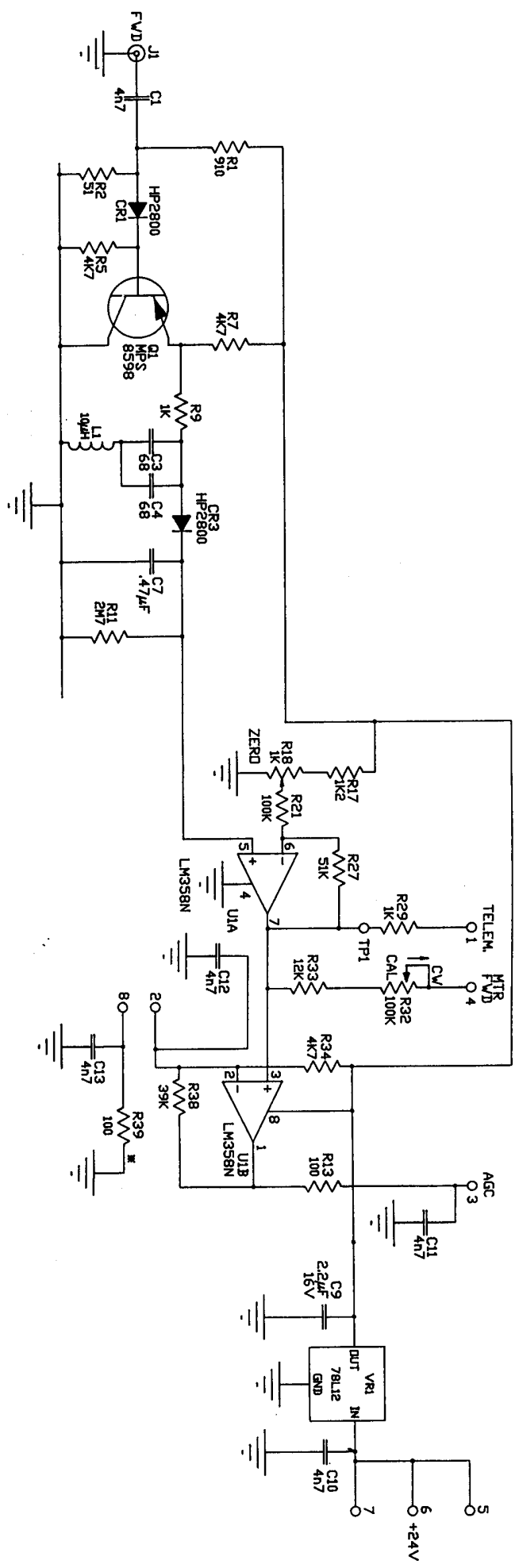
SCALE: 2 X FULL

DRAWN BY
D. W. W. W.
85-08-01

CHECKED BY
J. M. L.
1850A 87

20B713

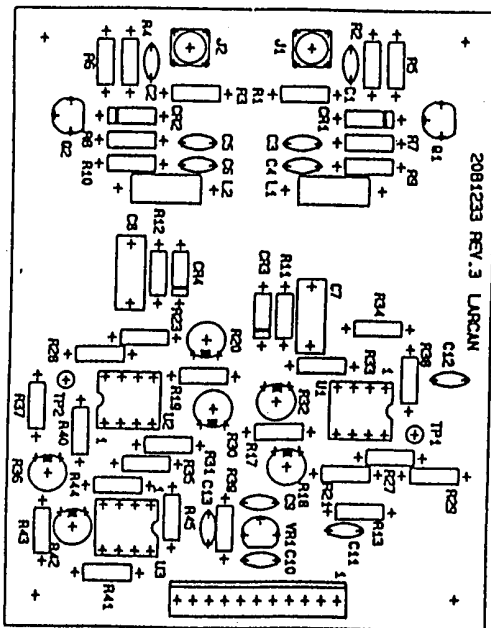
		DWG NO.	SHT 1 OF 1	REV
20B2448		20B2448	0	0
TITLE SCHEMATIC - METERING BOARD				
TOLERANCES UNLESS OTHERWISE SPECIFIED 3 DECIMAL PLACES ±.005 2 DECIMAL PLACES ±.010 FRACTIONS ±1/64 ANGLES ±1° MACHINE FINISH 6X ✓				
USED ON : MX1				
NOTE * SELECTED ON TEST				
ALL DIMENSIONS ARE IN INCHES UNLESS NOTED OTHERWISE				
REVISIONS		APPR		



DO NOT SCALE DWG.

NEXT ASSY:
 SAVED AS : 20B244801.DWG

COPYRIGHT: INTERNATIONAL, RECOMMEND, MANUFACTURE AND USE IS PROHIBITED WITHOUT THE WRITTEN CONSENT OF LARSEN INC.	
DWG NO.	SHT 1 OF 1
20B2448	0
REV	0
DRAWN BY :	CHKD BY :
RICH MEJIA	
DATE: 26FEB:99	SCALE : 1/1



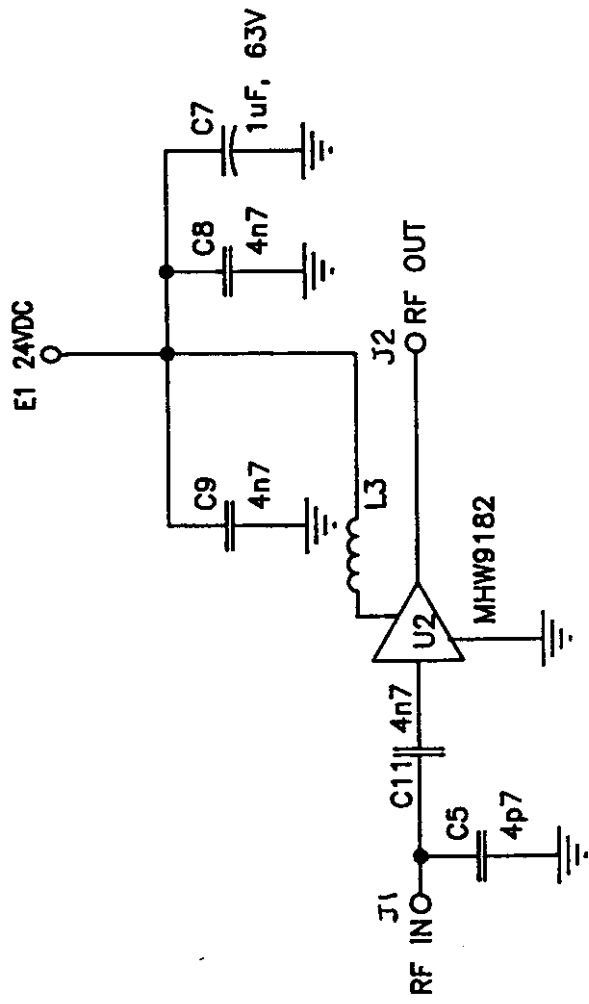
DWG NO. 10A1453
 SHT 13
 REV 0

TOLERANCES UNLESS OTHERWISE SPECIFIED
 3 DECIMAL PLACES ±.005
 2 DECIMAL PLACES ±.010
 FRACTIONS ±1/64
 ANGLES ±1°
 MACHINE FINISH 63/

TITLE SCHEMATIC - PRE-AMP
 USED ON : MX1U

REV	APPR

ASSY 10A1453G7



COPYRIGHT: APPLICATION, REDUCTION, REPRODUCTION AND USE IS PROHIBITED WITHOUT THE WRITTEN CONSENT OF LARSON INC.

DWG No.	SHT 13	REV
10A1453	10A1453	0
DRAWN BY: R. MEJIA		CHKD BY: [Signature]
DATE: 15:FEB:99		SCALE: NONE

NEXT ASSY:

DO NOT SCALE DWG. SAVED AS : 0A145313

WARREN

DWG. NO. SHT

10A1453

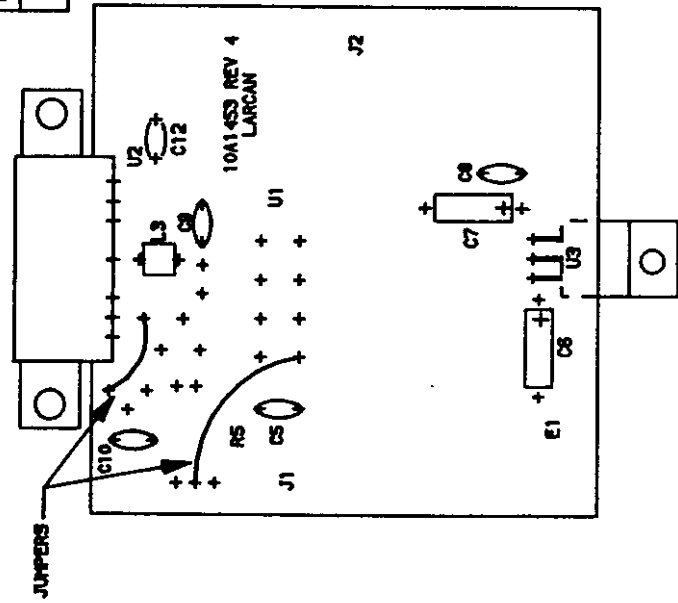
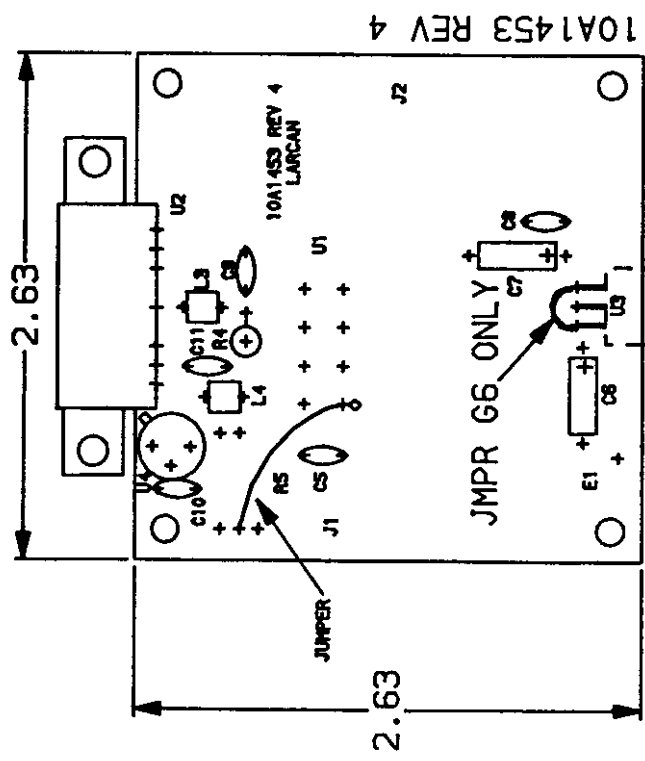
TITLE

P.C. BOARD PHASE SHIFTER

FMF 30KW

REVISIONS

1	REV SIZE OF C8	S.S. 28 JUNE 90
1.0.1	ADDED 62 FOR L0 BD.S.J.5	NOV.28/90
2	REVISED BD.TO ADD C12.RN91-32	MAR.13/91 SJS
3	MOVED C10 & U4	RN 95-192 24AUG95
3.1	RN97-102	22 MAR 97 RH
4	RN98-196	10 JUL 98 RH
4.1	RN98-287	29 SEP 98 RM



FULL SIZE

ASSEMBLY G4 HI BD

ASSEMBLY G6 BD

- OMIT C6 & U3

- INSTALL JMPR #20GAUGE

BUSS WIRE WITH CLEAR SLEEVING

ASSEMBLY G5 L0 BD

NOTE

U2 AND U3 TO BE SOLDERED ON AT LATER ASSEMBLY.
OR USE ASSEMBLY JIG.

DRAWN by S. SMITH

CHECKED by

DATE 5 OCT 89

SAVED AS S.10A1453SH.9

REF.

SCALE 1:1