

S

T

S

L

A

B



FCC PART 15B REPORT

Report No: STS1503083E01

Issued for

Kintech Co., Ltd.

1F-5F, Bldg 22, Chen Tian Industrial Zone, Xi Xiang, Bao An District, Shenzhen, Guang Dong, China

Product Name:	tablet pc
Brand Name:	Kinwei, Titan
Model No.:	PC6901
Series Model:	PC6901ME, PC6901Y, PCXXXX(XXXX represents 0000~9999), PCXXXXME (XXXX represents 0000~9999), PCXXXXY(XXXX represents 0000~9999; Y represents A~Z), KW-PC6901J, KW-PC6901, KW-6901I, KW-PCXXXXJ(XXXX represents 0000~9999), KW-PCXXXX(XXXX represents 0000~9999), KW-PCXXXXI(XXXX represents 0000~9999)
FCC ID:	BRCPC6901
Test Standard:	FCC Part 15B

Any reproduction of this document must be done in full. No single part of this document may be reproduced without permission from STS, All Test Data Presented in this report is only applicable to presented Test sample.

Shenzhen STS Test Services Co., Ltd.

1/F, Building B, Zhuoke Science Park, Chongqing Road, Fuyong, Baoan District, Shenzhen, China

TEL: +86-755 3688 6288 FAX: +86-755 3688 6277 E-mail: sts@stsapp.com





TEST RESULT CERTIFICATION

Applicant's name..... Kintech Co., Ltd.
 Address 1F-5F, Bldg 22, Chen Tian Industrial Zone, Xi Xiang, Bao An District, Shenzhen, Guang Dong, China

Manufacture's Name Kintech Co., Ltd.
 Address 1F-5F, Bldg 22, Chen Tian Industrial Zone, Xi Xiang, Bao An District, Shenzhen, Guang Dong, China

Product description

Product name tablet pc
 Band name Kinwei, Titan
 Test model and/or type reference PC6901

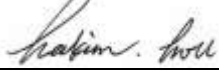
Standards FCC Part 15B


Test procedure..... ANSI C63.4-2009

This device described above has been tested by STS, and the test results show that the equipment under test (EUT) is in compliance with the FCC requirements. And it is applicable only to the tested sample identified in the report.

This report shall not be reproduced except in full, without the written approval of STS, this document may be altered or revised by STS, personal only, and shall be noted in the revision of the document.

Date of Test
 Date of performance of tests..... 10 Mar. 2015 ~18 Mar. 2015
 Date of Issue 19 Mar. 2015
 Test Result..... Pass

Testing Engineer : 
 (Hakim Hou)

Report writing : 
 (Sunny zheng)

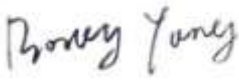
Authorized Signatory : 
 (Bovey Yang)





Table of Contents	Page
1. SUMMARY OF TEST RESULTS	4
1.1 TEST FACILITY	4
1.2 MEASUREMENT UNCERTAINTY	4
2. GENERAL INFORMATION	5
2.1 GENERAL DESCRIPTION OF EUT	5
2.2 DESCRIPTION OF TEST MODES	6
2.3 BLOCK DIGRAM SHOWING THE CONFIGURATION OF SYSTEM TESTED	6
2.4 DESCRIPTION OF SUPPORT UNITS	7
2.5 EQUIPMENTS LIST FOR ALL TEST ITEMS	8
3. EMC EMISSION TEST	9
3.1 CONDUCTED EMISSION MEASUREMENT	9
3.1.1 POWER LINE CONDUCTED EMISSION LIMITS	9
3.1.2 TEST PROCEDURE	10
3.1.3 DEVIATION FROM TEST STANDARD	10
3.1.4 TEST SETUP	10
3.1.5 EUT OPERATING CONDITIONS	10
3.1.6 TEST RESULTS	11
3.2 RADIATED EMISSION MEASUREMENT	13
3.2.1 RADIATED EMISSION LIMITS	13
3.2.2 TEST PROCEDURE	14
3.2.3 DEVIATION FROM TEST STANDARD	14
3.2.4 TEST SETUP	15
3.2.5 EUT OPERATING CONDITIONS	16
3.2.6 TEST RESULTS	17
4. PHOTOS OF TEST SETUP	21



1. SUMMARY OF TEST RESULTS

Test procedures according to the technical standards:

EMISSION			
Standard	Item	Result	Remarks
FCC 47 CFR Part 15 Subpart B (10-1-05 Edition)	Conducted Emission	PASS	Meet Class B limit
	Radiated Emission	PASS	Meet Class B limit

NOTE:

(1) "N/A" denotes test is not applicable in this Test Report

1.1 TEST FACILITY

Shenzhen STS Test Services Co., Ltd.

Add.: 1/F, Building 2, Zhuoke Science Park, Chongqing Road, Fuyong, Baoan District, Shenzhen, China.

FCC Registration No.: 842334; IC Registration No.: 12108A-1

1.2 MEASUREMENT UNCERTAINTY

The reported uncertainty of measurement $y \pm U$, where expanded uncertainty U is based on a standard uncertainty multiplied by a coverage factor of $k=2$, providing a level of confidence of approximately 95 %.

No.	Item	Uncertainty
1	Conducted Emission Test	$\pm 1.38\text{dB}$
2	RF power,conducted	$\pm 0.16\text{dB}$
3	Spurious emissions,conducted	$\pm 0.21\text{dB}$
4	All emissions,radiated(<1G)	$\pm 4.68\text{dB}$
5	All emissions,radiated(>1G)	$\pm 4.89\text{dB}$
6	Temperature	$\pm 0.5^{\circ}\text{C}$
7	Humidity	$\pm 2\%$



2. GENERAL INFORMATION

2.1 GENERAL DESCRIPTION OF EUT

Equipment	tablet pc
Trade Name	Kinwei, Titan
Model Name	PC6901
Serial Model	See the front page
Model Difference	All the same except for the model name.
Channel List	Please refer to the Note 2.
Adapter	Input:AC 100-240V,50/60Hz,0.3A Output:DC 5V,2A
Battery	Rated Voltage: 3.7V Charge Limit: 4.2V capacity :2500mAh
Hardware version number	P628A-MB-V3.0.0
Software versioning number	P638_VJ8015_20141204
Connecting I/O Port(s)	Please refer to the User's Manual

Note:

1. For a more detailed features description, please refer to the manufacturer's specifications or the User's Manual.

2.2 DESCRIPTION OF TEST MODES

To investigate the maximum EMI emission characteristics generated from EUT, the test system was pre-scanning tested based on the consideration of following EUT operation mode or test configuration mode which possibly have effect on EMI emission level. Each of these EUT operation mode(s) or test configuration mode(s) mentioned above was evaluated respectively.

Pretest Mode	Description
Mode 1	USB Model
Mode 2	MP3/MP4 Mode
Mode 3	Idle Mode

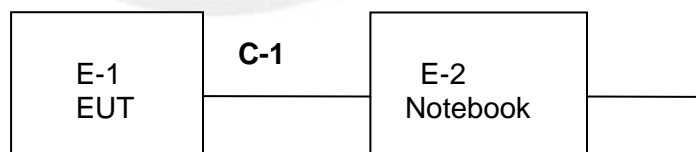
For Conducted Emission	
Final Test Mode	Description
Mode1	USB Model

For Radiated Emission	
Final Test Mode	Description
Mode 1	USB Model

Note:

(1) Due to the different configuration and test, in this list only some worse mode. The worst test data of the worse mode is reported by this report.

2.3 BLOCK DIAGRAM SHOWING THE CONFIGURATION OF SYSTEM TESTED





2.4 DESCRIPTION OF SUPPORT UNITS

The EUT has been tested as an independent unit together with other necessary accessories or support units. The following support units or accessories were used to form a representative test configuration during the tests.

Item	Equipment	Mfr/Brand	Model/Type No.	Series No.	Note
E-1	tablet pc	Kinwei, Titan	PC6901	N/A	EUT
E-2	Notebook	Lenovo	B460	WB03928113	

Item	Shielded Type	Ferrite Core	Length	Note
C-1	NO	NO	0.5m	

Note:

- (1) The support equipment was authorized by Declaration of Confirmation.
- (2) For detachable type I/O cable should be specified the length in cm in 『Length』 column.
- (3) “YES” is means “shielded” “with core”; “NO” is means “unshielded” “without core”.

2.5 EQUIPMENTS LIST FOR ALL TEST ITEMS

The EUT has been tested as an independent unit together with other necessary accessories or support units. The following support units or accessories were used to form a representative test configuration during the tests.

Radiation Test equipment

Kind of Equipment	Manufacturer	Type No.	Serial No.	Last Calibration	Calibrated Until
Universal Radio Communication Tester	R&S	CMU200	112012	2014.10.25	2015.10.24
Bilog Antenna	TESEQ	CBL6111D	34678	2014.10.25	2015.10.24
Low frequency cable	MURATA	R-03	130627	2014.10.25	2015.10.24
High frequency cable	HARBOUR	R-02	FL0000175	2014.10.25	2015.10.24
EMI Test Receiver	R&S	ESCI	101427	2014.10.25	2015.10.24
Antenna Mast	EM	SC100_1	N/A	N/A	N/A
Turn Table	EM	SC100	060531	N/A	N/A
50Ω Switch	Anritsu Corp	MP59B	6200983705	2014.07.06	2015.07.05
Spectrum Analyzer	Aglient	E4407B	MY50140340	2014.10.25	2015.10.24
Horn Antenna	Schwarbeck	BBHA 9120D	9120D-963	2014.10.25	2015.10.24
Pre-Amplifier	DASY 5	NO. WL-42W	9638	2014.10.25	2015.10.24

Conduction Test equipment

Kind of Equipment	Manufacturer	Type No.	Serial No.	Last Calibration	Calibrated Until
EMI Test Receiver	R&S	ESPI	102086	2014.10.25	2015.10.24
LISN	R&S	ENV216	101242	2014.10.25	2015.10.24
LISN	EMCO	3810/2NM	000-23625	2014.10.25	2015.10.24
Absorbing clamp	R&S	MDS-21	100668	2014.10.27	2015.10.26
Temperature & Humidity Chamber	Mieo	HH660	N/A	2014.10.27	2015.10.26
Conduction Cable	EM	C01	N/A	2014.10.25	2015.10.24
Clamp Cable	EM	C02	N/A	2014.10.25	2015.10.24



3. EMC EMISSION TEST

3.1 CONDUCTED EMISSION MEASUREMENT

3.1.1 POWER LINE CONDUCTED EMISSION Limits

FREQUENCY (MHz)	Class A (dBuV)		Class B (dBuV)		Standard
	Quasi-peak	Average	Quasi-peak	Average	
0.15 -0.5	79.00	66.00	66 - 56 *	56 - 46 *	CISPR
0.50 -5.0	73.00	60.00	56.00	46.00	CISPR
5.0 -30.0	73.00	60.00	60.00	50.00	CISPR

0.15 -0.5	79.00	66.00	66 - 56 *	56 - 46 *	FCC
0.50 -5.0	73.00	60.00	56.00	46.00	FCC
5.0 -30.0	73.00	60.00	60.00	50.00	FCC

Note:

- (1) The tighter limit applies at the band edges.
- (2) The limit of " * " marked band means the limitation decreases linearly with the logarithm of the frequency in the range.

The following table is the setting of the receiver

Receiver Parameters	Setting
Attenuation	10 dB
Start Frequency	0.15 MHz
Stop Frequency	30 MHz
IF Bandwidth	9 kHz

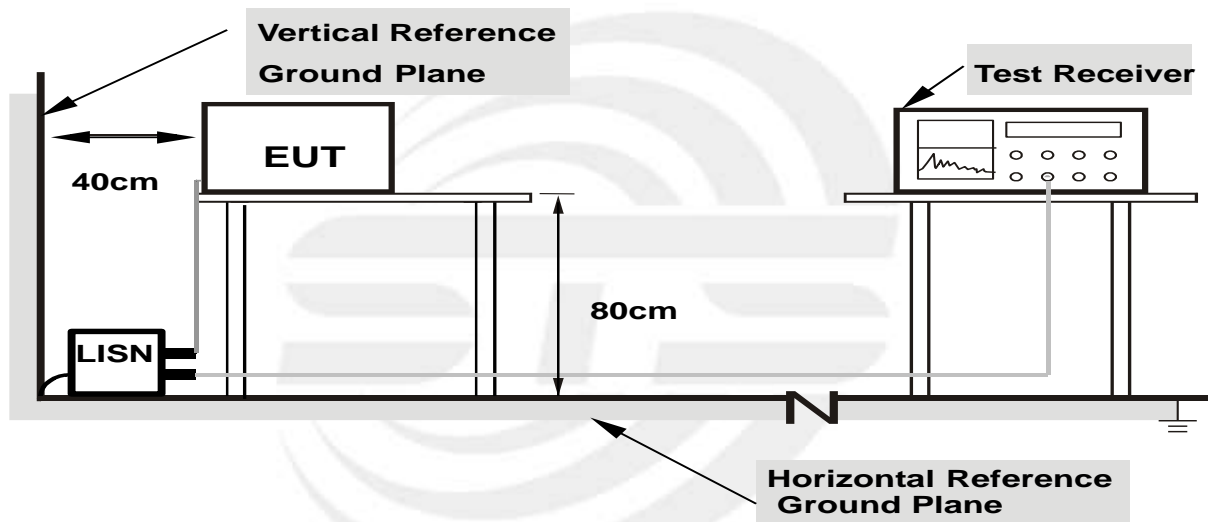
3.1.2 TEST PROCEDURE

- a. The EUT was placed 0.4 meters from the horizontal ground plane with EUT being connected to the power mains through a line impedance stabilization network (LISN). All other support equipments powered from additional LISN(s). The LISN provide 50 Ohm/ 50uH of coupling impedance for the measuring instrument.
- b. Interconnecting cables that hang closer than 40 cm to the ground plane shall be folded back and forth in the center forming a bundle 30 to 40 cm long.
- c. I/O cables that are not connected to a peripheral shall be bundled in the center. The end of the cable may be terminated, if required, using the correct terminating impedance. The overall length shall not exceed 1 m.
- d. LISN at least 80 cm from nearest part of EUT chassis.
- e. For the actual test configuration, please refer to the related Item –EUT Test Photos.

3.1.3 DEVIATION FROM TEST STANDARD

No deviation

3.1.4 TEST SETUP



- Note: 1.Support units were connected to second LISN.**
2.Both of LISNs (AMN) are 80 cm from EUT and at least 80 from other units and other metal planes

3.1.5 EUT OPERATING CONDITIONS

The EUT was configured for testing in a typical fashion (as a customer would normally use it). The EUT has been programmed to continuously transmit during test. This operating condition was tested and used to collect the included data.



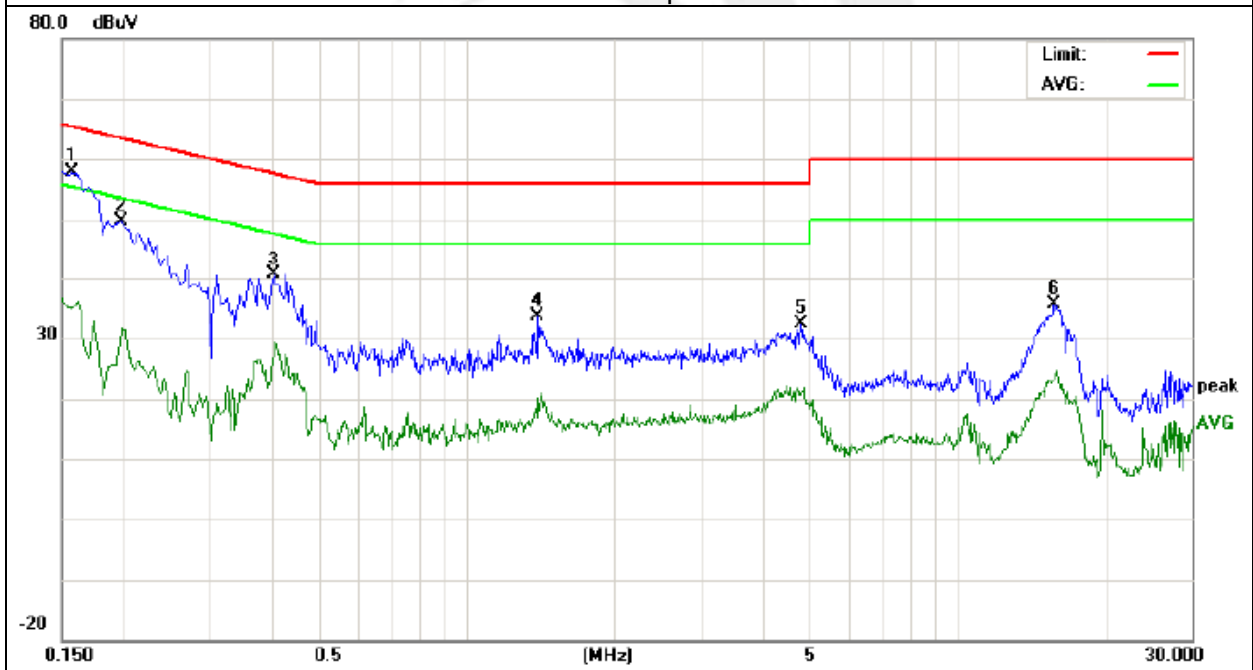
3.1.6 TEST RESULTS

EUT :	tablet pc	Model Name. :	PC6901
Temperature :	26 °C	Relative Humidity :	54%
Pressure :	1010hPa	Phase :	L
Test Voltage :	DC 5V from PC with AC 120V/60Hz	Test Mode :	1

No.	Freq. (MHz)	Reading_Level (dBUV)			Correct Factor (dB)	Measurement (dBUV)			Limit (dBUV)		Margin (dB)		P/F	Comment
		Peak	QP	AVG		Peak	QP	AVG	QP	AVG	QP	AVG		
1	0.1580	47.79		26.34	10.17	57.96		36.51	65.56	55.56	-7.60	-19.05	P	
2	0.1980	39.50		21.31	10.21	49.71		31.52	63.69	53.69	-13.98	-22.17	P	
3	0.4060	47.63		26.18	10.33	57.96		36.51	57.73	47.73	0.23	-11.22	F	
4	1.4020	23.15		9.80	10.38	33.53		20.18	56.00	46.00	-22.47	-25.82	P	
5	4.7980	22.21		10.52	10.23	32.44		20.75	56.00	46.00	-23.56	-25.25	P	
6	15.7460	25.58		13.16	10.11	35.69		23.27	60.00	50.00	-24.31	-26.73	P	

Remark:

1. Factor = Antenna Factor + Cable Loss – Pre-amplifier.



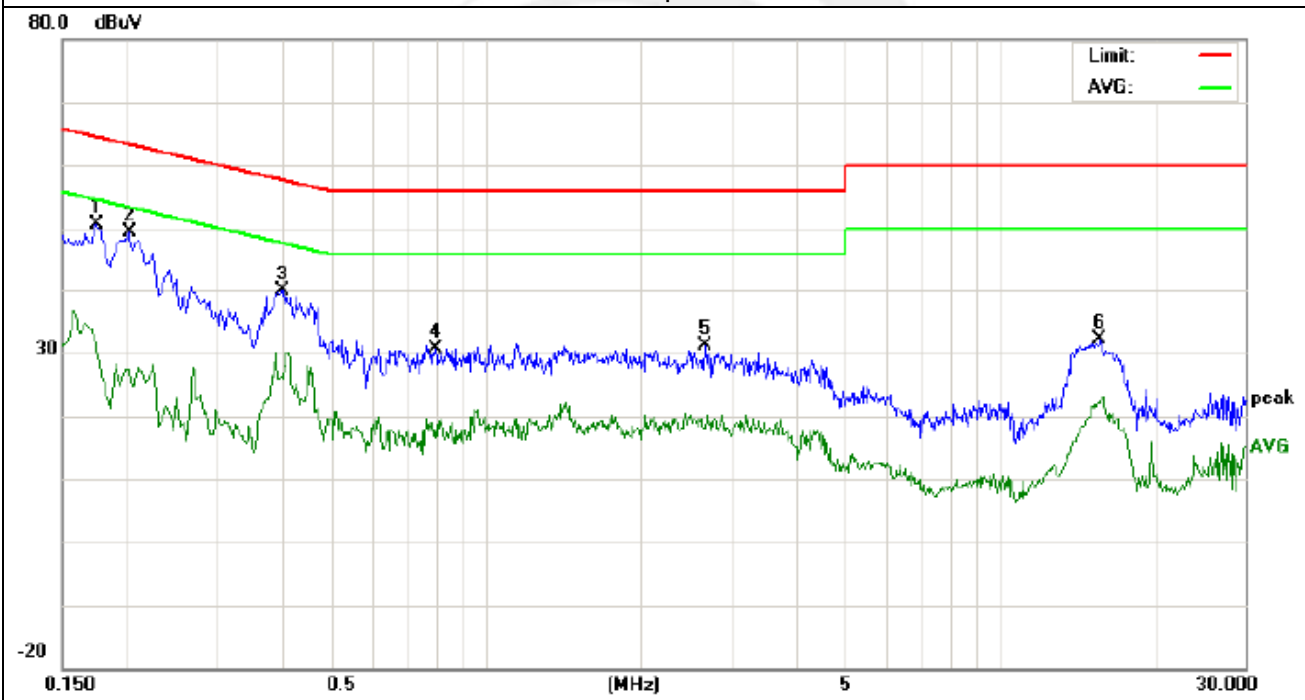


EUT :	tablet pc	Model Name. :	PC6901
Temperature :	26 °C	Relative Humidity :	54%
Pressure :	1010hPa	Phase :	N
Test Voltage :	DC 5V from PC with AC 120V/60Hz	Test Mode :	1

No.	Freq. (MHz)	Reading_Level (dBUV)			Correct Factor (dB)	Measurement (dBUV)			Limit (dBUV)		Margin (dB)		P/F	Comment
		Peak	QP	AVG		Peak	QP	AVG	QP	AVG	QP	AVG		
1	0.1740	40.52		21.47	10.19	50.71		31.66	64.76	54.76	-14.05	-23.10	P	
2	0.2020	39.16		17.05	10.22	49.38		27.27	63.52	53.52	-14.14	-26.25	P	
3	0.4020	29.55		15.54	10.33	39.88		25.87	57.81	47.81	-17.93	-21.94	P	
4	0.7980	20.33		6.40	10.28	30.61		16.68	56.00	46.00	-25.39	-29.32	P	
5	2.6780	20.65		7.61	10.47	31.12		18.08	56.00	46.00	-24.88	-27.92	P	
6	15.6820	22.12		12.12	10.11	32.23		22.23	60.00	50.00	-27.77	-27.77	P	

Remark:

1. Factor = Antenna Factor + Cable Loss – Pre-amplifier.





3.2 RADIATED EMISSION MEASUREMENT

3.2.1 Radiated Emission Limits

20dBc in any 100 kHz bandwidth outside the operating frequency band. In case the emission fall within the restricted band specified on 15.205(a), then the 15.209(a) limit in the table below has to be followed.

Frequencies (MHz)	Field Strength (micorvolts/meter)	Measurement Distance (meters)
0.009~0.490	2400/F(KHz)	300
0.490~1.705	24000/F(KHz)	30
1.705~30.0	30	30
30~88	100	3
88~216	150	3
216~960	200	3
Above 960	500	3

LIMITS OF RADIATED EMISSION MEASUREMENT (Above 1000MHz)

FREQUENCY (MHz)	Class A (dBuV/m) (at 3M)		Class B (dBuV/m) (at 3M)	
	PEAK	AVERAGE	PEAK	AVERAGE
Above 1000	80	60	74	54

Notes:

- (1) The limit for radiated test was performed according to FCC PART 15C.
- (2) The tighter limit applies at the band edges.
- (3) Emission level (dBuV/m)=20log Emission level (uV/m).

FREQUENCY RANGE OF RADIATED MEASUREMENT (For unintentional radiators)

Highest frequency generated or Upper frequency of measurement used in the device or on which the device operates or tunes (MHz)	Range (MHz)
Below 1.705	30
1.705 – 108	1000
108 – 500	2000
500 – 1000	5000
Above 1000	5 th harmonic of the highest frequency or 40 GHz, whichever is lower



Spectrum Parameter	Setting
Attenuation	Auto
Detector	Peak
Start Frequency	1000 MHz(Peak/AV)
Stop Frequency	10th carrier harmonic(Peak/AV)
RB / VB (emission in restricted band)	1 MHz / 1 MHz, AV=1 MHz / 10Hz

Receiver Parameter	Setting
Attenuation	Auto
Start ~ Stop Frequency	9kHz~150kHz/RB 200Hz for QP
Start ~ Stop Frequency	150kHz~30MHz/RB 9kHz for QP
Start ~ Stop Frequency	30MHz~1000MHz/RB 120kHz for QP

3.2.2 TEST PROCEDURE

- The measuring distance of at 3 m shall be used for measurements at frequency up to 1GHz. For frequencies above 1GHz, any suitable measuring distance may be used.
- The EUT was placed on the top of a rotating table 1 meters above the ground at a 3 meter open area test site. The table was rotated 360 degrees to determine the position of the highest radiation.
- The height of the equipment or of the substitution antenna shall be 1 m; the height of the test antenna shall vary between 1 m to 4 m. Both horizontal and vertical polarizations of the antenna are set to make the measurement.
- The initial step in collecting conducted emission data is a spectrum analyzer peak detector mode pre-scanning the measurement frequency range. Significant peaks are then marked and then Quasi Peak detector mode re-measured.
- If the Peak Mode measured value compliance with and lower than Quasi Peak Mode Limit, the EUT shall be deemed to meet QP Limits and then no additional QP Mode measurement performed.
- For the actual test configuration, please refer to the related Item –EUT Test Photos.

Note:

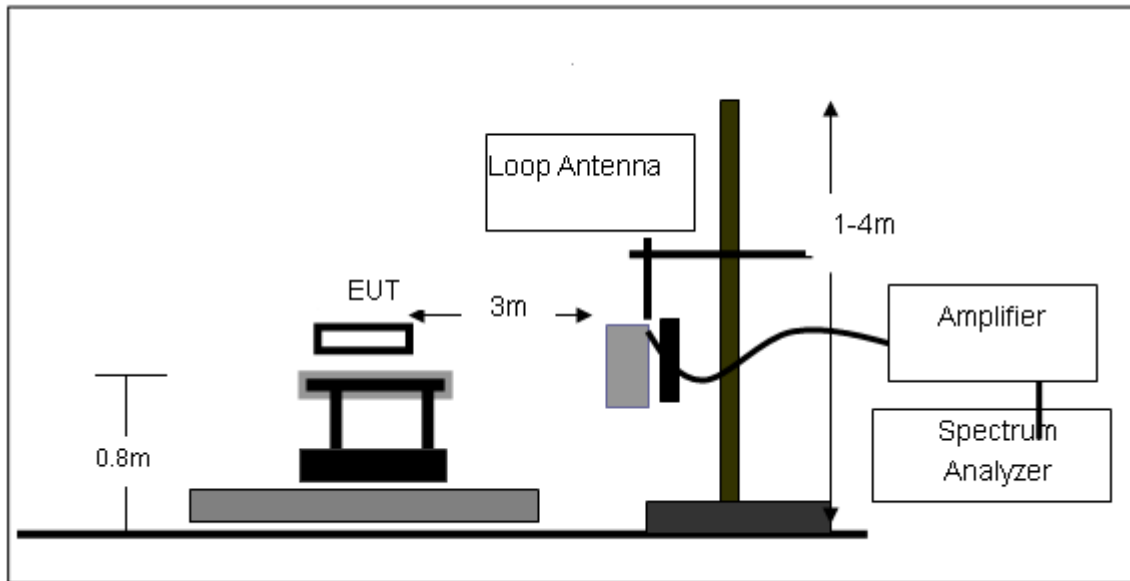
Both horizontal and vertical antenna polarities were tested and performed pretest to three orthogonal axis. The worst case emissions were reported

3.2.3 DEVIATION FROM TEST STANDARD

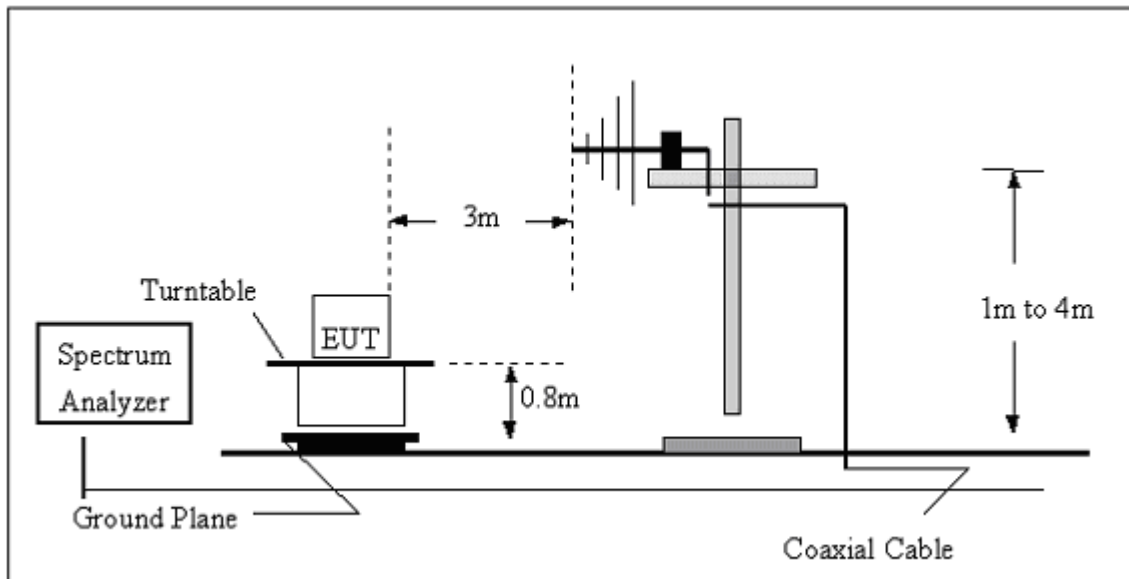
No deviation

3.2.4 TEST SETUP

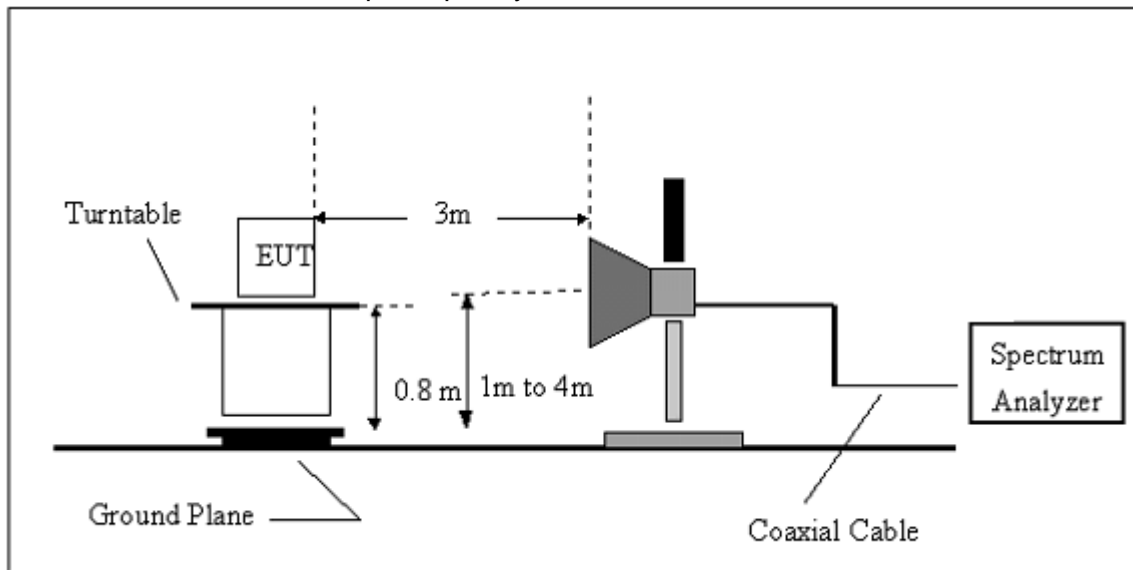
(A) Radiated Emission Test-Up Frequency Below 30MHz



(B) Radiated Emission Test-Up Frequency 30MHz~1GHz



(C) Radiated Emission Test-Up Frequency Above 1GHz



3.2.5 EUT OPERATING CONDITIONS

The EUT tested system was configured as the statements of 2.4 Unless otherwise a special operating condition is specified in the follows during the testing.



3.2.6 TEST RESULTS

Below 30MHz

EUT :	tablet pc	Model Name. :	PC6901
Temperature :	20 °C	Relative Humidity :	48%
Pressure :	1010 hPa	Polarization :	---
Test Voltage :	DC 5V from PC		
Test Mode :	Mode 1		

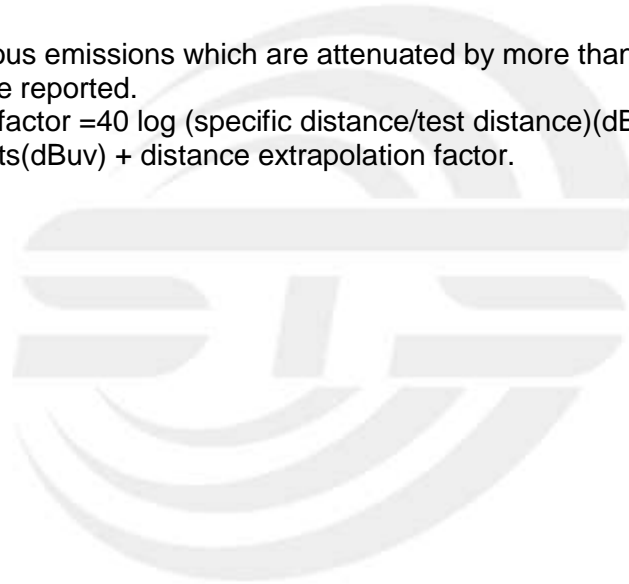
Freq.	Reading	Limit	Margin	State
(MHz)	(dBuV/m)	(dBuV/m)	(dB)	P/F
--	--	--	--	PASS
--	--	--	--	PASS

NOTE:

The amplitude of spurious emissions which are attenuated by more than 20dB below the permissible value has no need to be reported.

Distance extrapolation factor = $40 \log(\text{specific distance}/\text{test distance})$ (dB);

Limit line = specific limits(dBuv) + distance extrapolation factor.





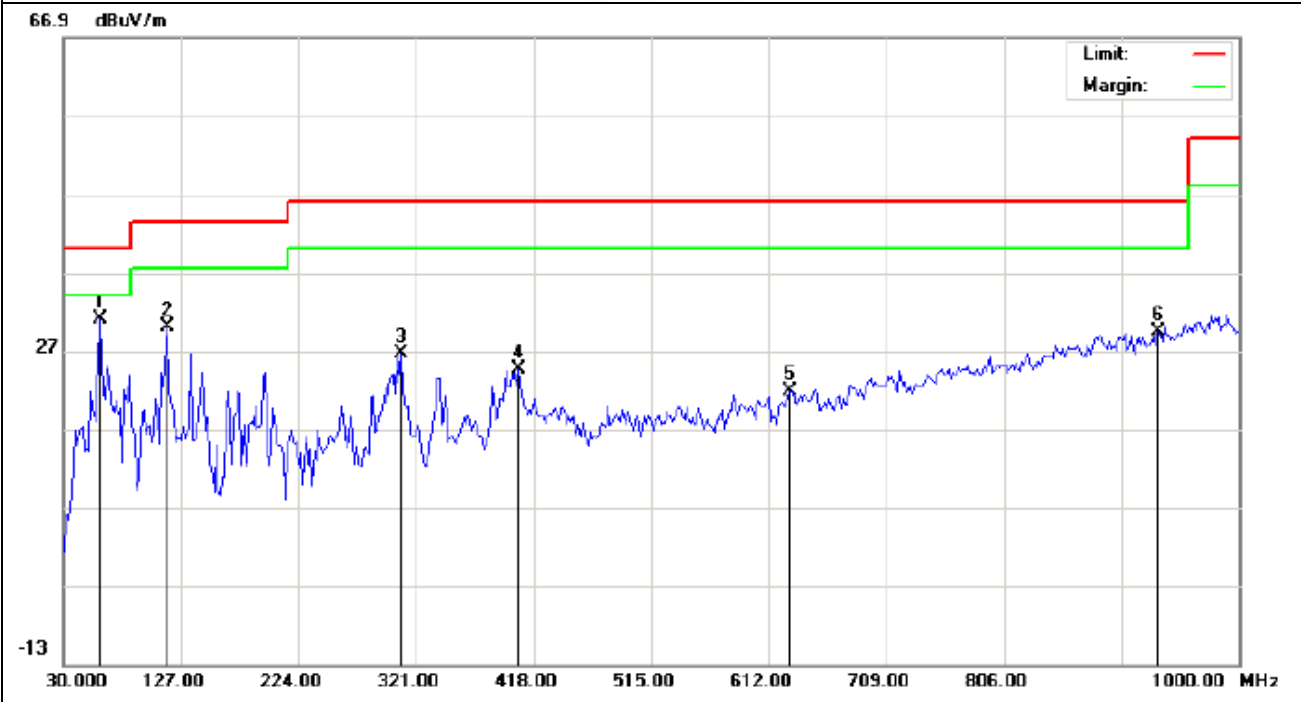
Between 30MHz – 1000 MHz

EUT :	tablet pc	Model Name. :	PC6901
Temperature :	20 °C	Relative Humidity :	48%
Pressure :	1010 hPa	Polarization :	Horizontal
Test Voltage :	DC 5V from PC		
Test Mode :	Mode 1		

No.	Mk	Freq.	Reading	Factor	Measurement	Limit	Over	Detector	Antenna Height	Table Degree	Comment
		MHz	dBuV	dB/m	dBuV/m	dBuV/m	dB		cm	degree	
1	*	60.7167	19.82	11.09	30.91	40.00	-9.09	peak			
2		115.6833	18.47	11.56	30.03	43.50	-13.47	peak			
3		308.0667	10.65	15.95	26.60	46.00	-19.40	peak			
4		405.0667	5.30	19.22	24.52	46.00	-21.48	peak			
5		629.7833	-1.96	23.80	21.84	46.00	-24.16	peak			
6		933.7166	-0.12	29.55	29.43	46.00	-16.57	peak			

Remark:

1. Factor = Antenna Factor + Cable Loss – Pre-amplifier.



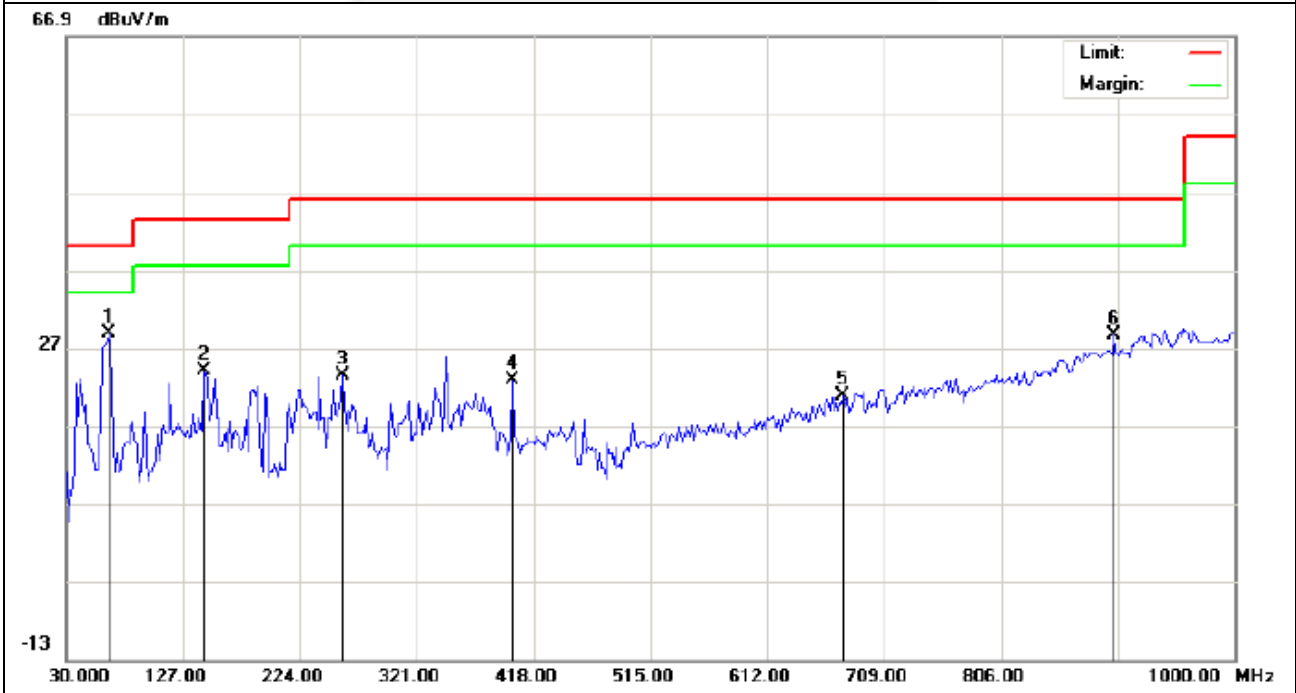


EUT :	tablet pc	Model Name. :	PC6901
Temperature :	20 °C	Relative Humidity :	48%
Pressure :	1010 hPa	Polarization :	Vertical
Test Voltage :	DC 5V from PC		
Test Mode :	Mode 1		

No.	Mk	Freq.	Reading	Factor	Measurement	Limit	Over	Detector	Antenna Height	Table Degree	Comment
		MHz	dBuV	dB/m	dBuV/m	dBuV/m	dB		cm	degree	
1	*	65.5667	22.77	5.98	28.75	40.00	-11.25	peak			
2		144.7833	8.69	15.23	23.92	43.50	-19.58	peak			
3		259.5667	9.21	14.19	23.40	46.00	-22.60	peak			
4		400.2167	3.78	19.08	22.86	46.00	-23.14	peak			
5		675.0500	-3.75	24.52	20.77	46.00	-25.23	peak			
6		899.7667	0.02	28.60	28.62	46.00	-17.38	peak			

Remark:

1. Factor = Antenna Factor + Cable Loss – Pre-amplifier.





Above 1GHz

The worst test data above 1 GHz was showed as thefollow:

EUT :	tablet pc	Model Name. :	PC6901
Temperature :	20 °C	Relative Humidity :	48%
Pressure :	1010 hPa	Test Mode :	Mode 1
Test Voltage :	DC 5V from PC		

Freq. (MHz)	Ant. Pol H/V	Peak Reading (dBuV)	AV Reading (dBuV)	Ant./CL CF (dB)	Actual Fs		Peak Limit (dBuV/m)	AV Limit (dBuV/m)	Peak margin (dBuV/m)	AV margin (dBuV/m)
					Peak (dBuV/m)	AV (dBuV/m)				
1097.22	H	57.61	41.59	5.15	62.76	46.74	74	54	-11.24	-7.26
2866.4	H	52.43	38.87	9.45	61.88	48.32	74	54	-12.12	-5.68
N/A										
1069.22	V	52.29	37.37	5.15	57.44	42.52	74	54	-16.56	-11.48
2896.40	V	49.21	32.86	9.45	58.66	42.31	74	54	-15.34	-11.69
N/A										

Notes:

1. Measuring frequencies from 1 GHz to 6GHz.
2. Radiated emissions measured in frequency above 1000MHz were made with an instrument using Peak detector mode of the emission shown in Actual FS column.
3. The frequency that above 3GHz is mainly from the environment noise.

4. PHOTOS OF TEST SETUP

Radiated Measurement Photos 30MHz- 1GHz



Conducted Measurement Photos

